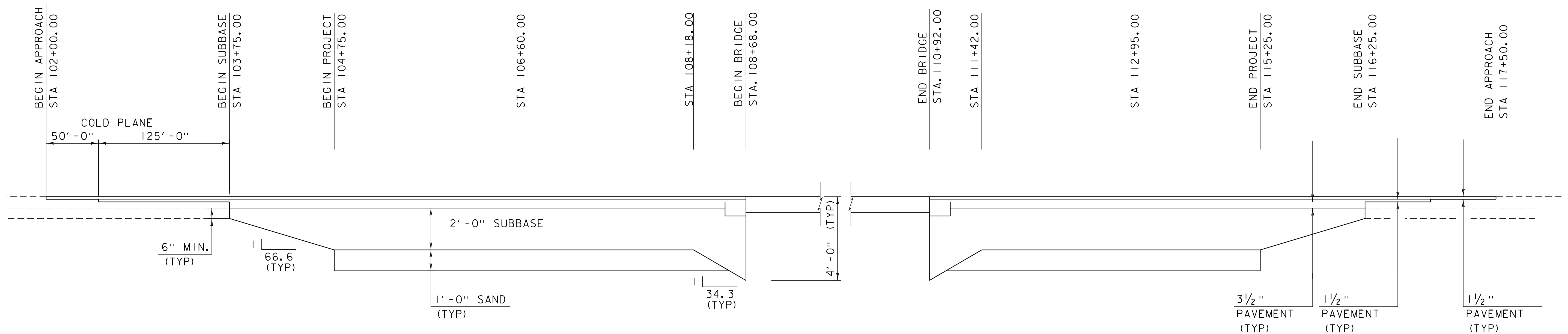
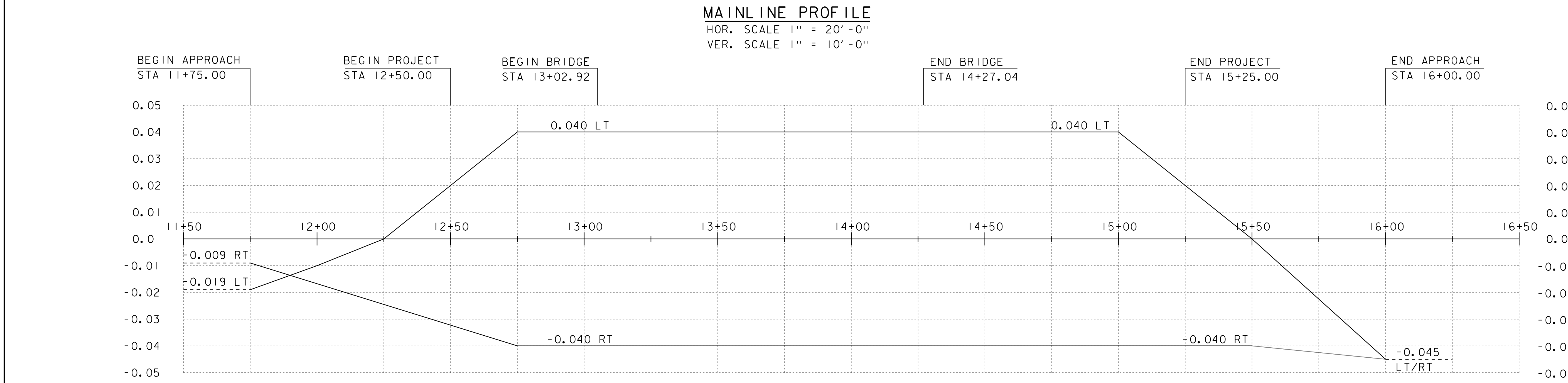
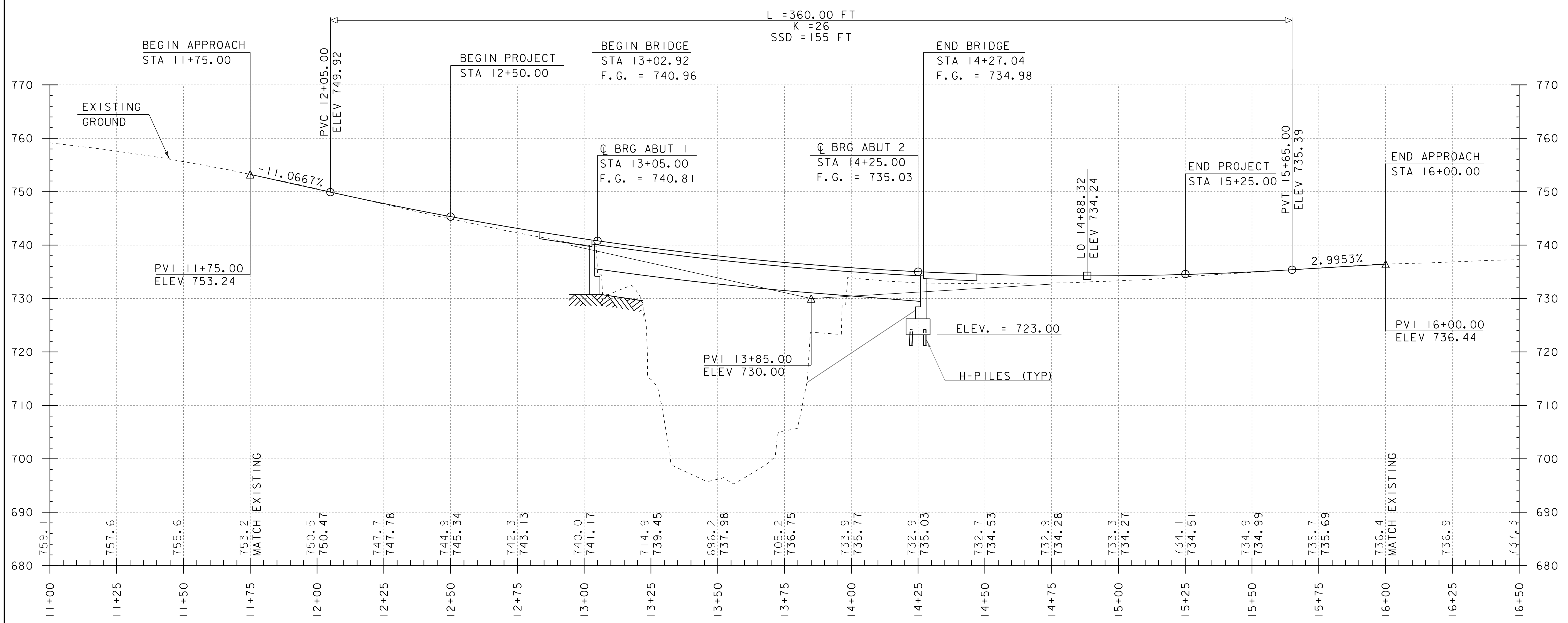


BANKING DIAGRAM  
 VERTICAL SCALE N. T. S.  
 HORIZONTAL SCALE 1" = 50'-0"



MATERIAL TRANSITION DIAGRAM  
 VERTICAL SCALE N. T. S.  
 HORIZONTAL SCALE 1" = 50'-0"

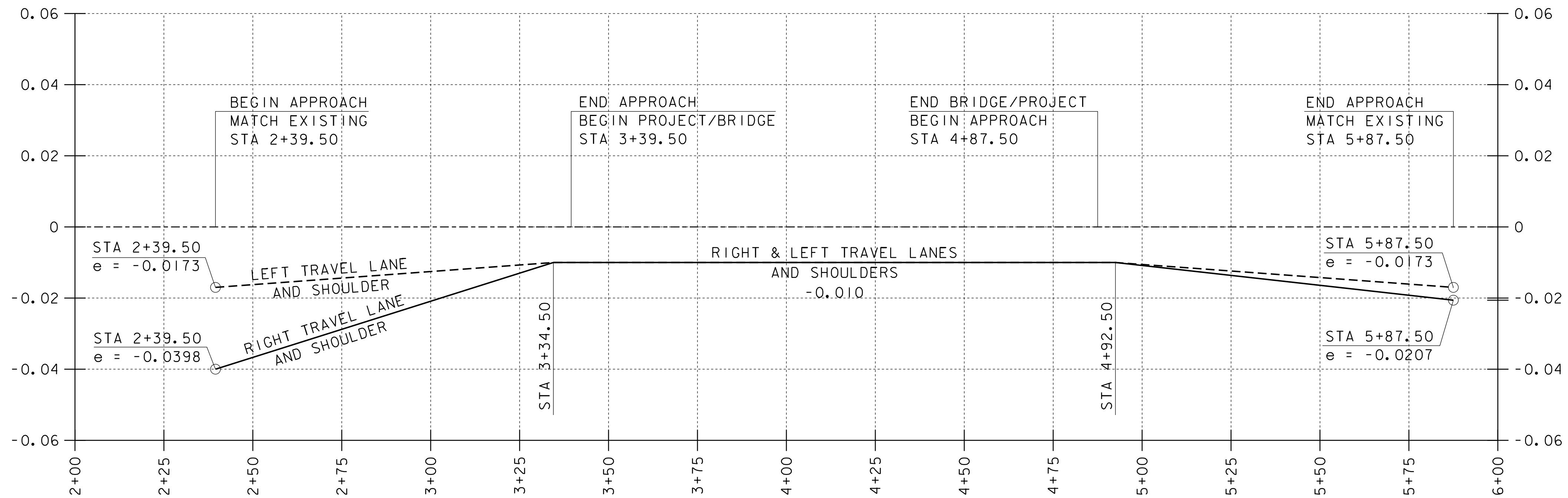
PROJECT NAME:	MORRISTOWN
PROJECT NUMBER:	BRS 0240(3)S
FILE NAME:	s78f329bnkmat.dgn
PROJECT LEADER:	C. CARLSON
DESIGNED BY:	J. GRIFFIN
BANKING & MATERIAL TRANSITION DIAGRAM	
PLOT DATE:	29-NOV-2012
DRAWN BY:	R. PELLETT
CHECKED BY:	J. LACROIX
SHEET	26 OF 66



THE GRADES SHOWN TO THE NEAREST TENTH ARE THE ORIGINAL GROUND ELEVATIONS ALONG THE PROPOSED ALIGNMENT.

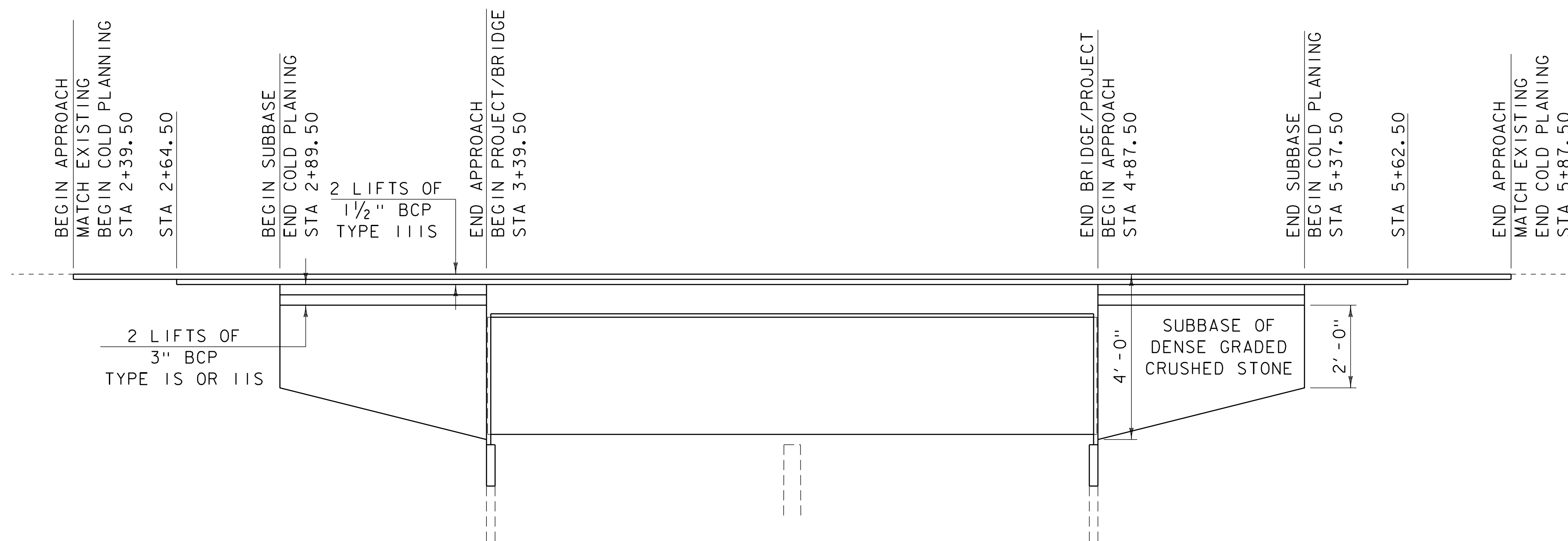
THE GRADES SHOWN TO THE NEAREST HUNDREDTH ARE THE PROPOSED GRADES FOR THE NEW ALIGNMENT.

PROJECT NAME: BARRE TOWN	PLOT DATE: 19-SEP-2012
PROJECT NUMBER: BRF 6100(7)	DRAWN BY: J. SALVATORI
FILE NAME: s06j002pro.dgn	CHECKED BY: T. FILLBACH
PROJECT LEADER: J. LACROIX	SHEET 14 OF 70
DESIGNED BY: J. SALVATORI	
MAINLINE PROFILE	



**VT 108 BANKING DIAGRAM**

HORIZONTAL SCALE: 1" = 20'-0"  
 VERTICAL SCALE: 1" = 0.02'/'



**VT 108 MATERIAL TRANSITION DETAIL**

HORIZONTAL SCALE: 1" = 20'-0"  
 VERTICAL SCALE: 1" = 2'-0"

PROJECT NAME: STOWE	
PROJECT NUMBER: BHF 0235(11)	
FILE NAME: s87e052pro.dgn	PLOT DATE: 05-DEC-2012
PROJECT LEADER: C. CARLSON	DRAWN BY: G. ROY
DESIGNED BY: G. ROY	CHECKED BY: -----
BANKING DIAGRAM AND MATERIAL TRANSITION SHEET 12 OF 22	