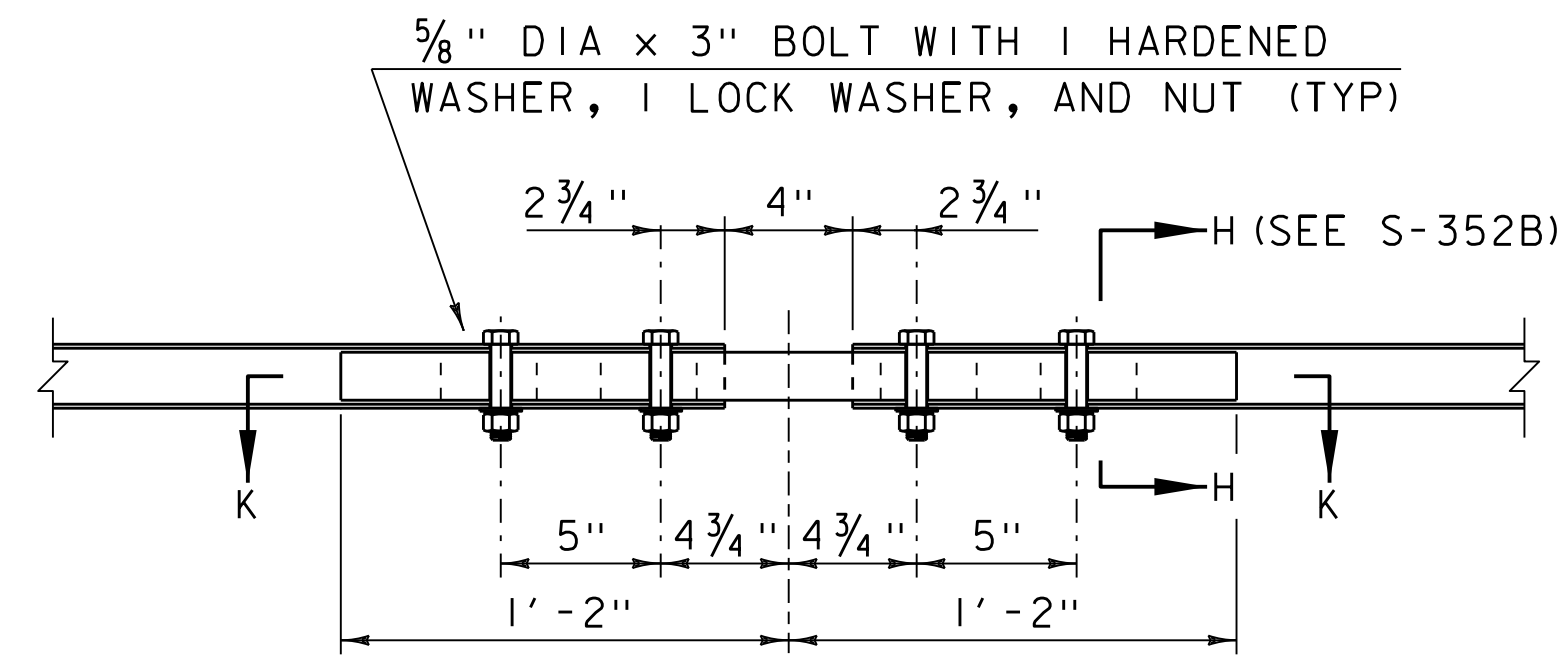
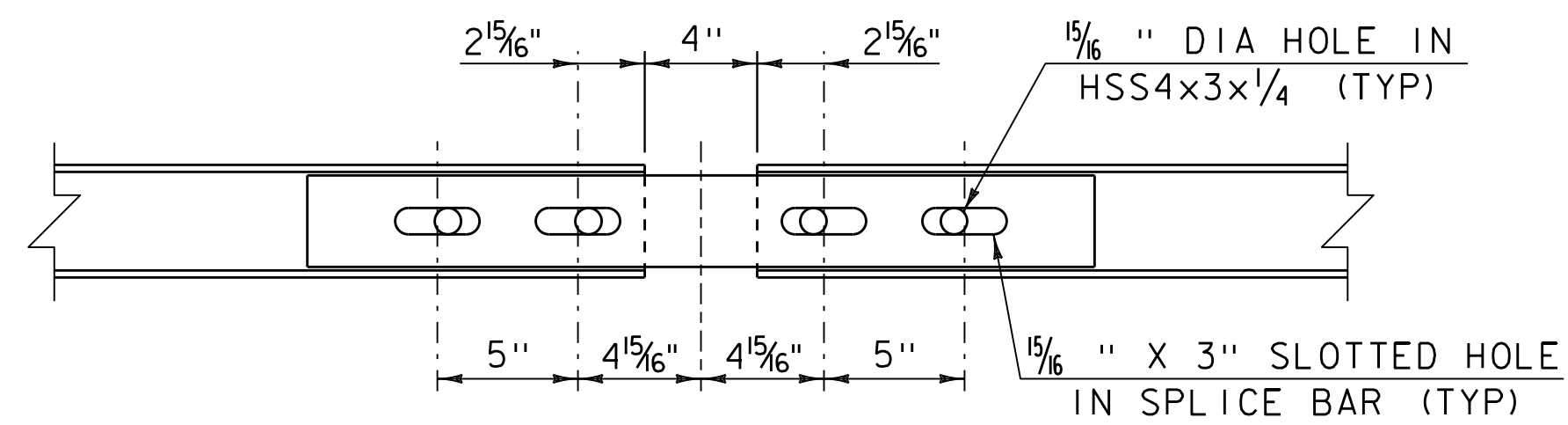


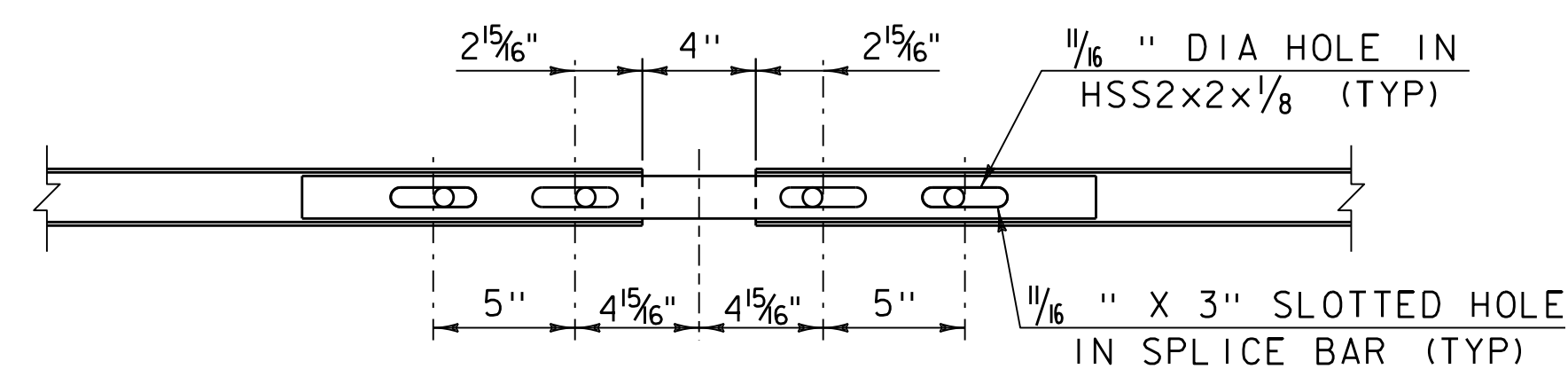
TOP RAIL EXPANSION SPLICE DETAIL



BOTTOM RAIL EXPANSION SPLICE DETAIL



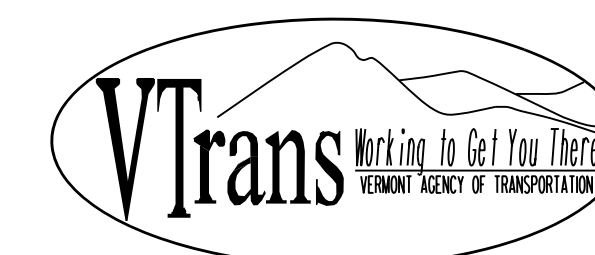
SECTION J-J



SECTION K-K

REV.	DATE	DESCRIPTION
0	AUG. 22, 2012	ORIGINAL APPROVAL
1	APR. 7, 2020	BORDER UPDATED
2	FEB. 17, 2022	BOLTS SHOWN INCORRECTLY
OTHER STANDARDS REQUIRED: G-I, S-352B		
VTRANS AND FHWA APPROVAL ON FILE WITH CONTRACT ADMINISTRATION		

BRIDGE RAILING, GALVANIZED
STEEL TUBING / CONCRETE COMBINATION



STANDARD
S - 352C