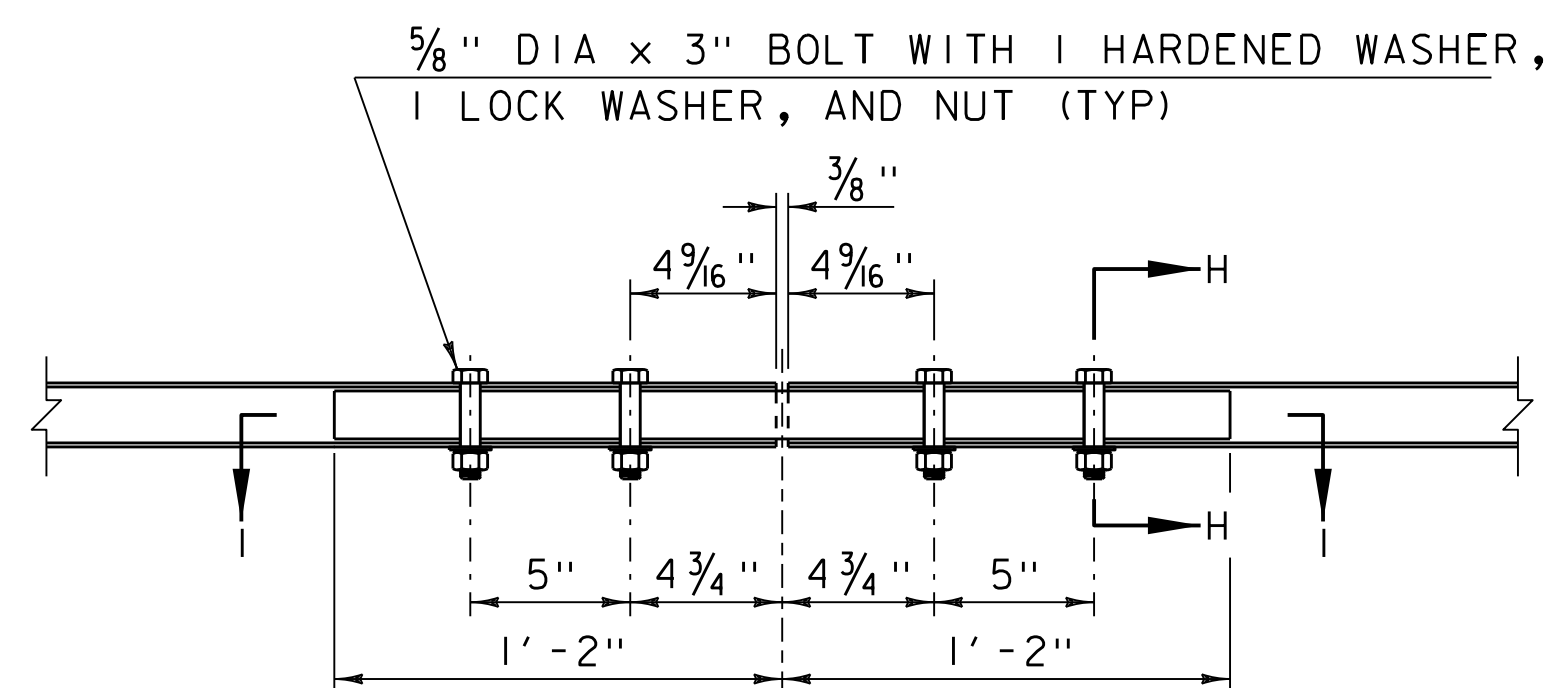
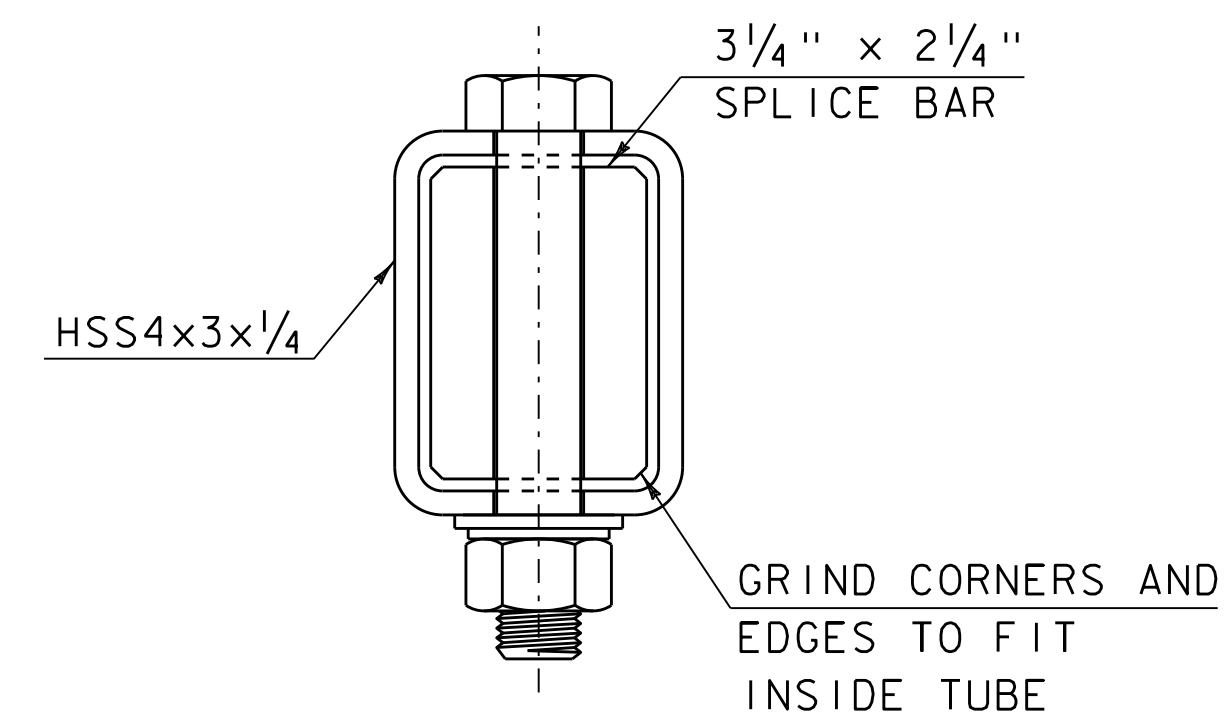


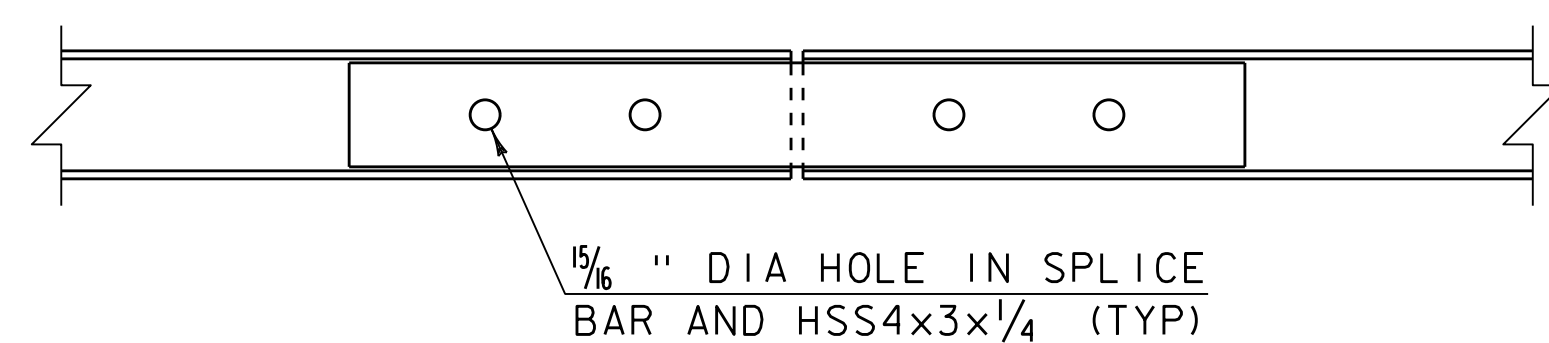
TOP RAIL FIXED SPLICE DETAIL



BOTTOM RAIL FIXED SPLICE DETAIL



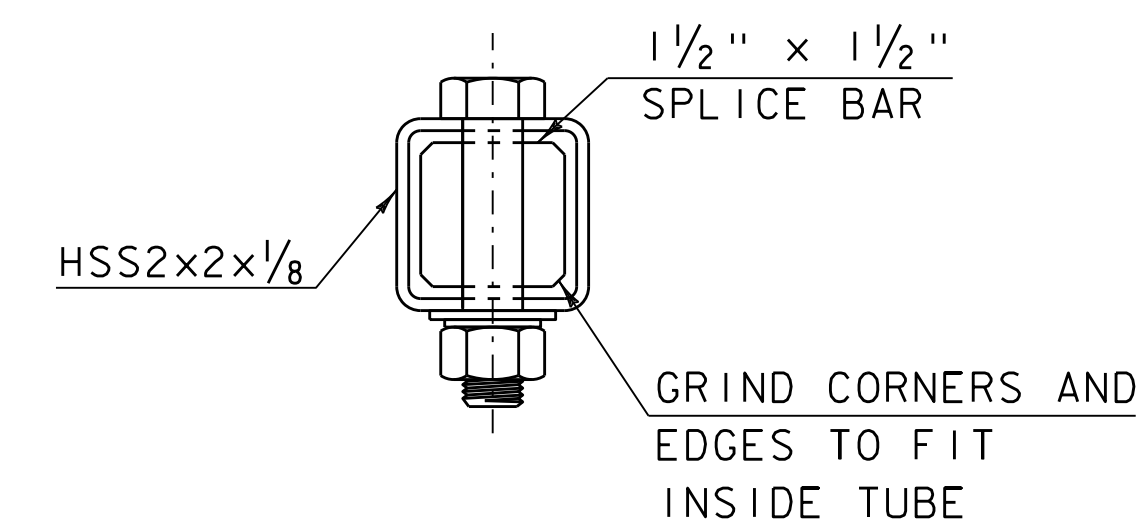
SECTION F-F



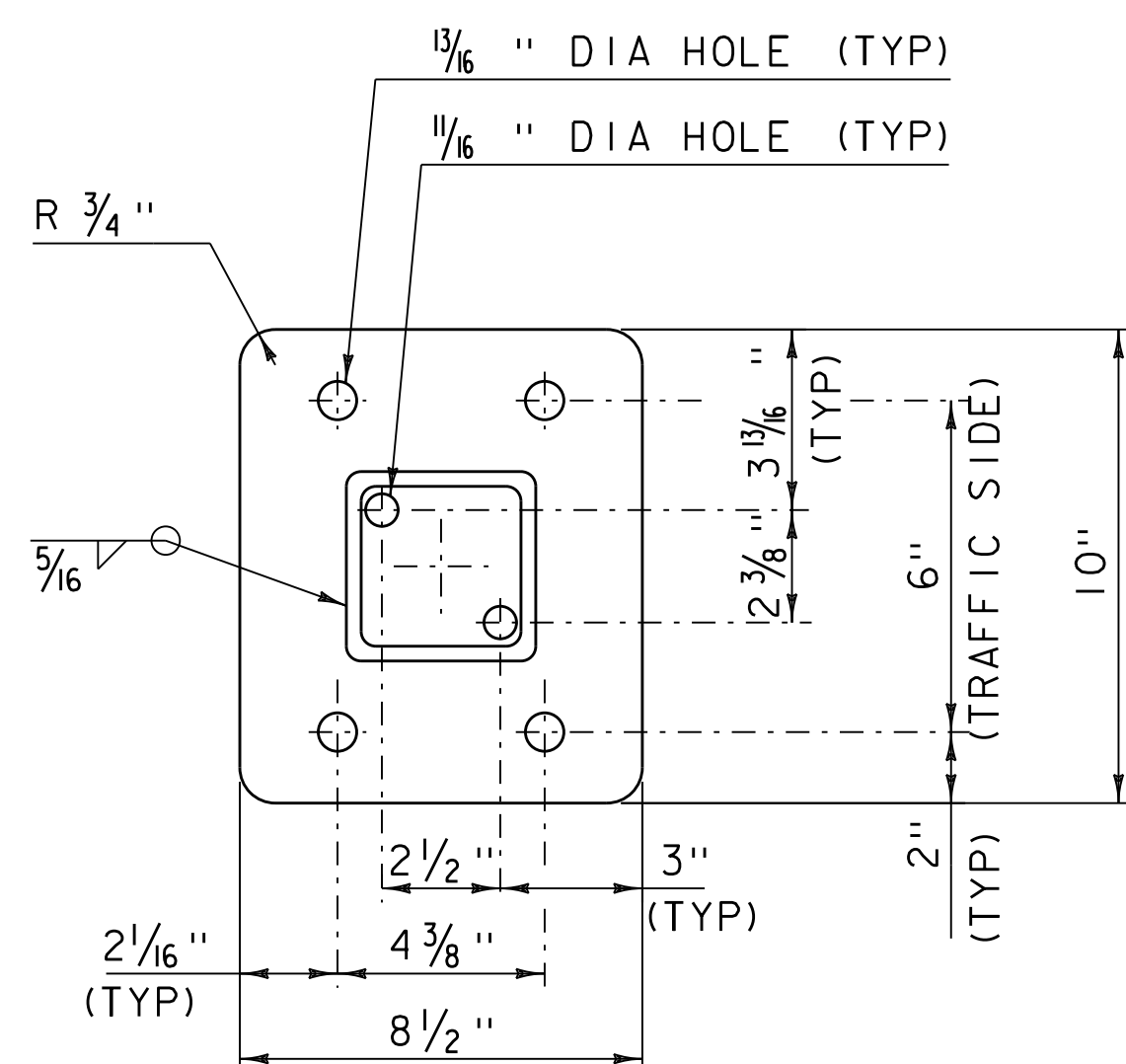
SECTION G-G



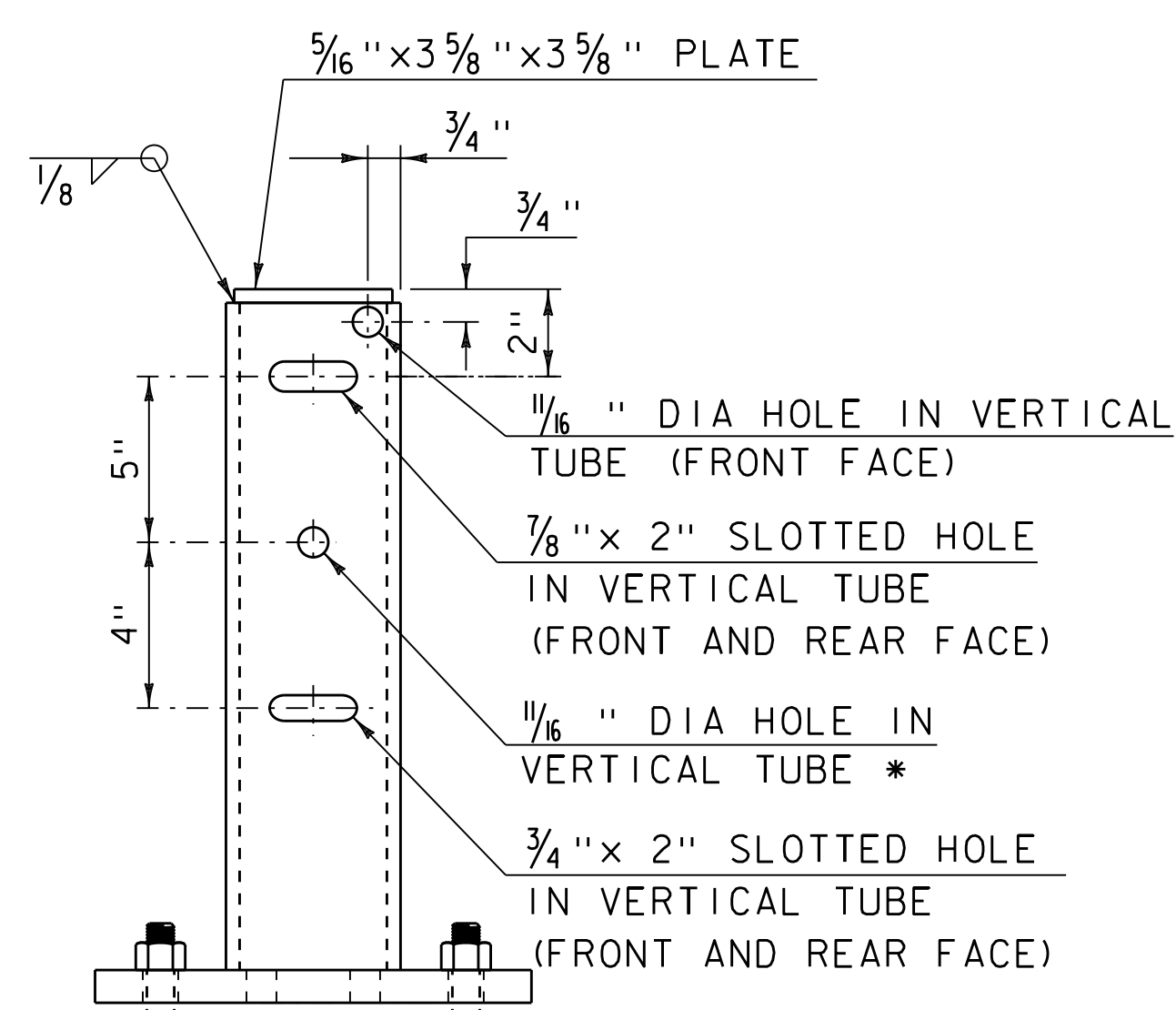
SECTION I-I



SECTION H-H

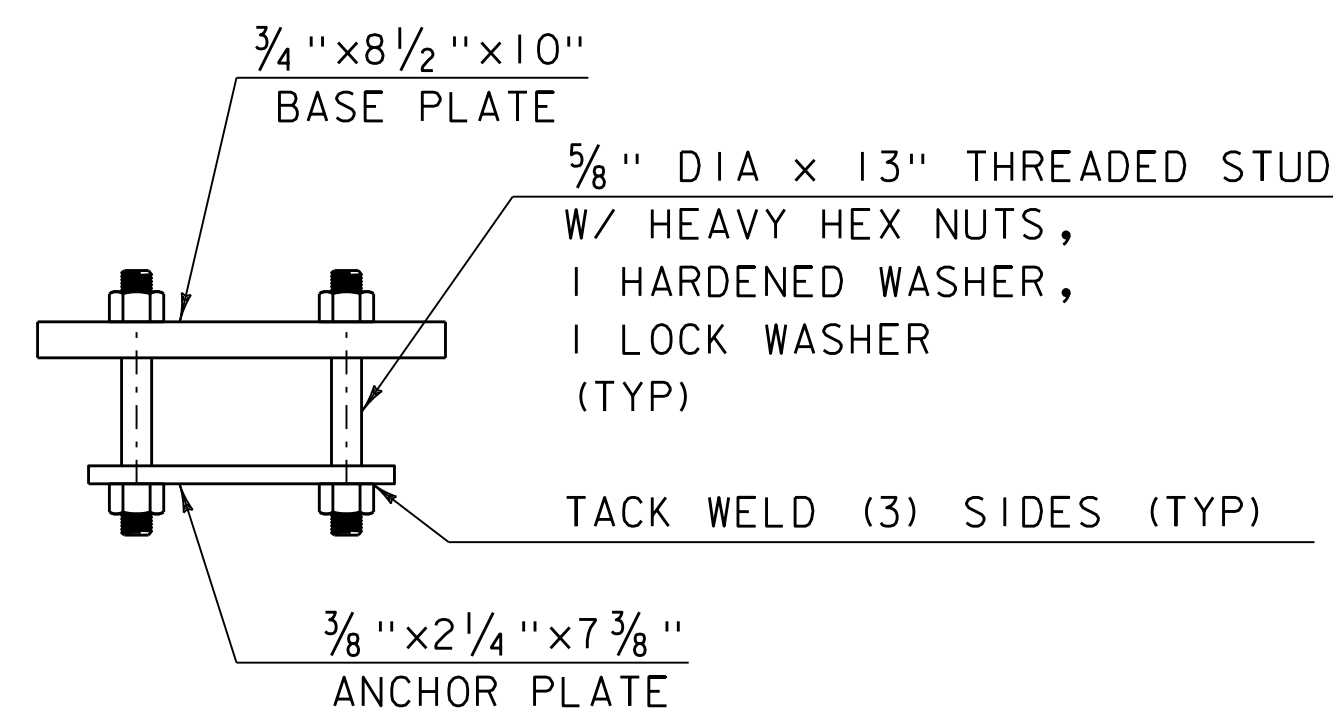


BASE PLATE

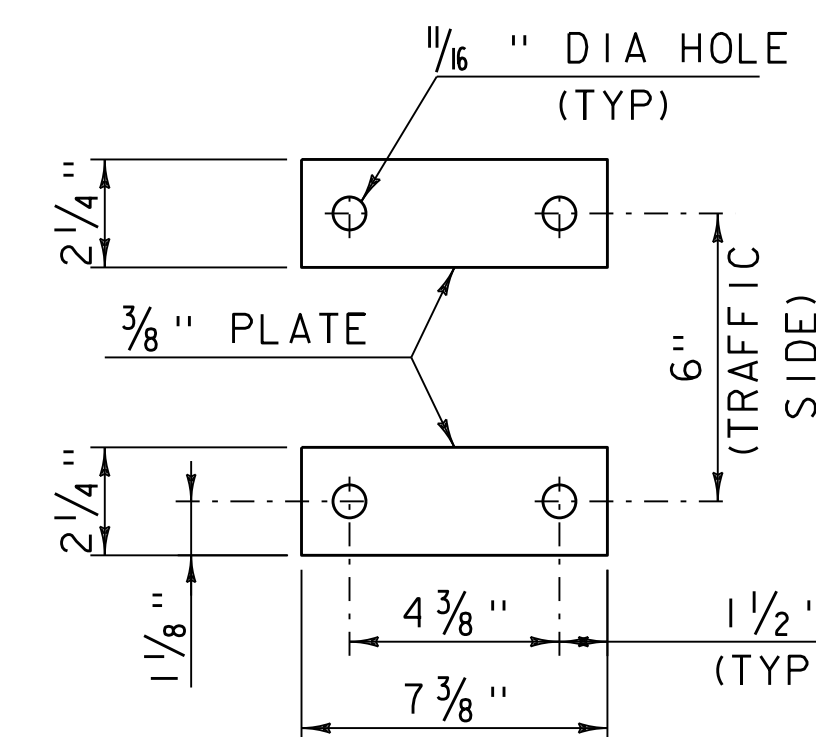


VERTICAL TUBE DETAIL
(FRONT VIEW)

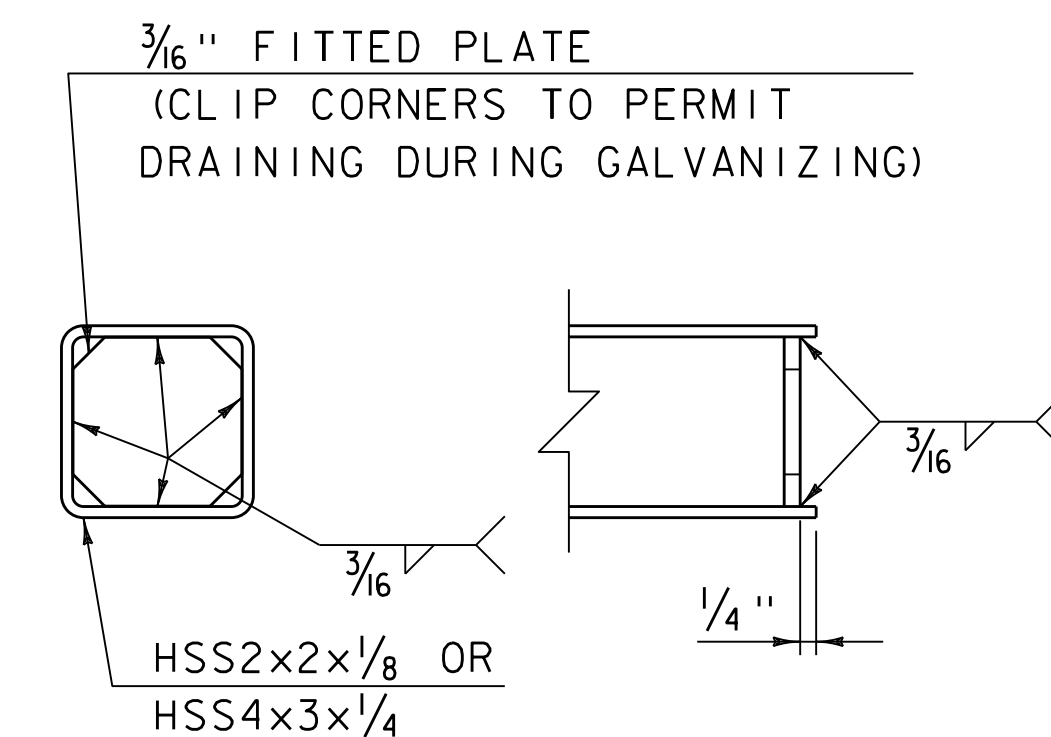
* FOR ATTACHMENT OF DELINEATORS
(SEE NOTE #8 ON STD S-352A)



RAIL POST ANCHORAGE



ANCHOR PLATES



END OF RAIL DETAIL

END CAPS TO BE INSTALLED
AT ALL EXPOSED ENDS

| REV. | DATE | DESCRIPTION |
|---------------------------------------------------------------|---------------|--------------------------------------|
| 0 | AUG. 22, 2012 | ORIGINAL APPROVAL |
| 1 | APR. 7, 2020 | BORDER UPDATED |
| 2 | FEB. 17, 2022 | POST AND ANCHOR STUD REVISIONS |
| 3 | FEB. 15, 2023 | CORRECTED POST BASEPLATE ORIENTATION |
| OTHER STANDARDS REQUIRED: S-352A | | |
| VTRANS AND FHWA APPROVAL ON FILE WITH CONTRACT ADMINISTRATION | | |

BRIDGE RAILING, GALVANIZED STEEL TUBING / CONCRETE COMBINATION



STANDARD
S-352B