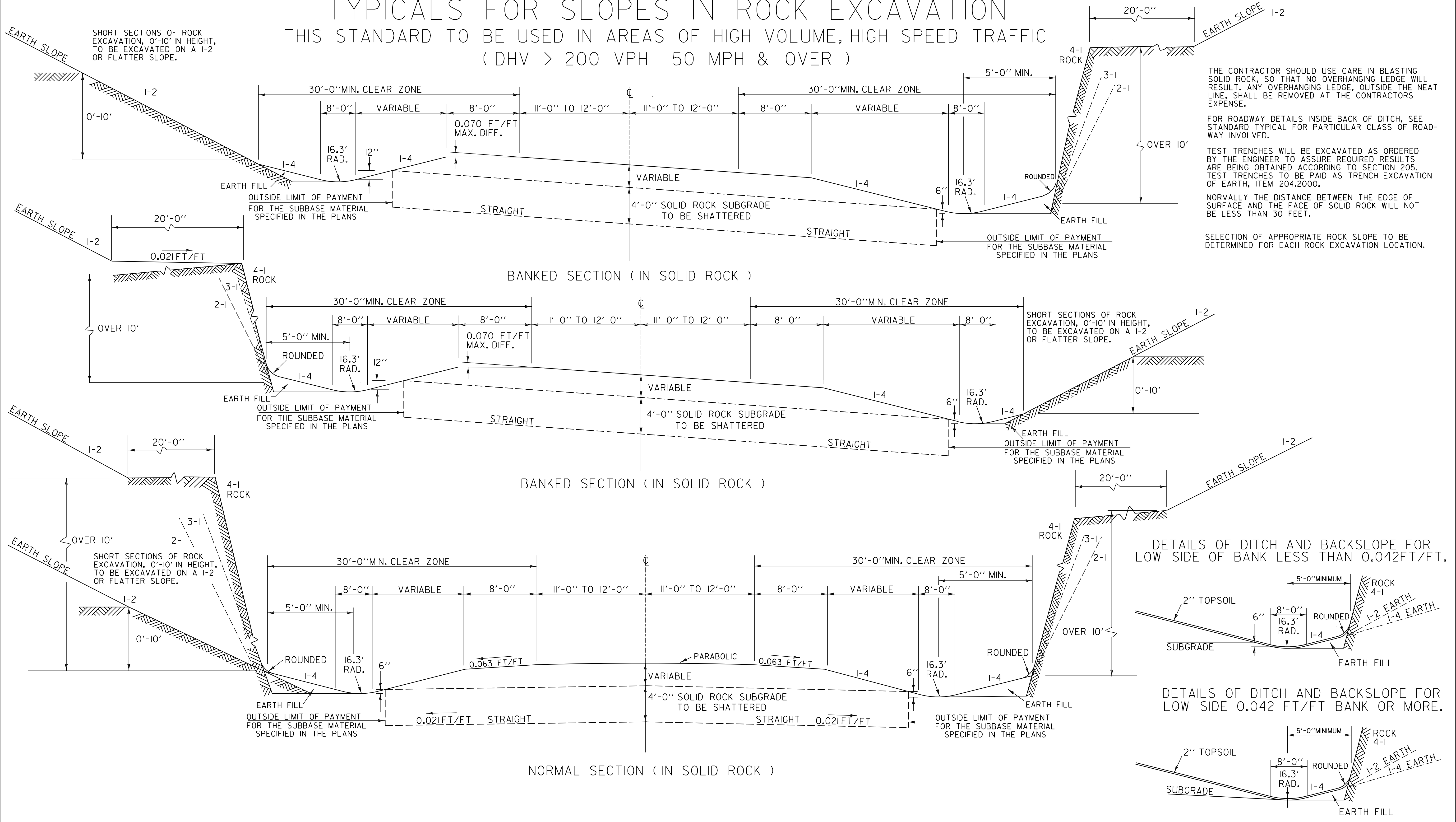
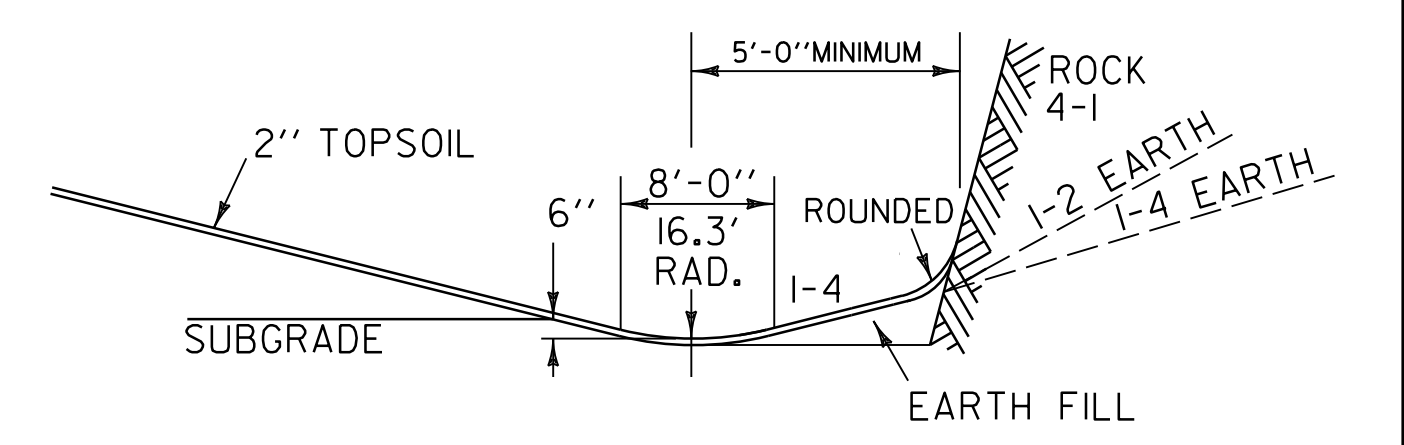


# TYPICALS FOR SLOPES IN ROCK EXCAVATION

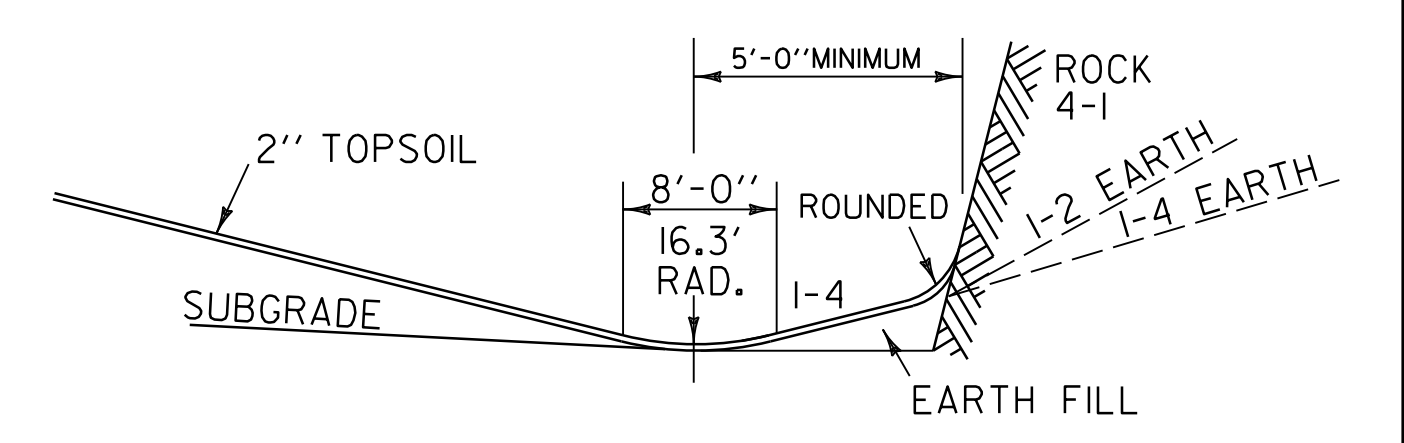
THIS STANDARD TO BE USED IN AREAS OF HIGH VOLUME, HIGH SPEED TRAFFIC  
(DHV > 200 VPH 50 MPH & OVER)



DETAILS OF DITCH AND BACKSLOPE FOR LOW SIDE OF BANK LESS THAN 0.042 FT/FT.



DETAILS OF DITCH AND BACKSLOPE FOR LOW SIDE 0.042 FT/FT BANK OR MORE.



REV.	DATE	DESCRIPTION
0	APR. 2, 1986	ORIGINAL APPROVAL DATE
2	JUN. 1, 1994	REISSUED, WITHOUT CHANGE, UNDER NEW SIGNATURES
3	APR. 7, 2020	MISC. REVISIONS, BORDER UPDATE
4	JUN. 25, 2024	MISC. REVISIONS

OTHER STANDARDS REQUIRED:  
VTRANS AND FHWA APPROVAL ON FILE WITH CONTRACT ADMINISTRATION

## STANDARD TYPICAL FOR SLOPES IN SOLID ROCK EXCAVATION DRILLING AND BLASTING OF SOLID ROCK SUBGRADE



STANDARD  
A - 60