



POLES

TECHNICAL INFORMATION

CONTEMPORARY POLE



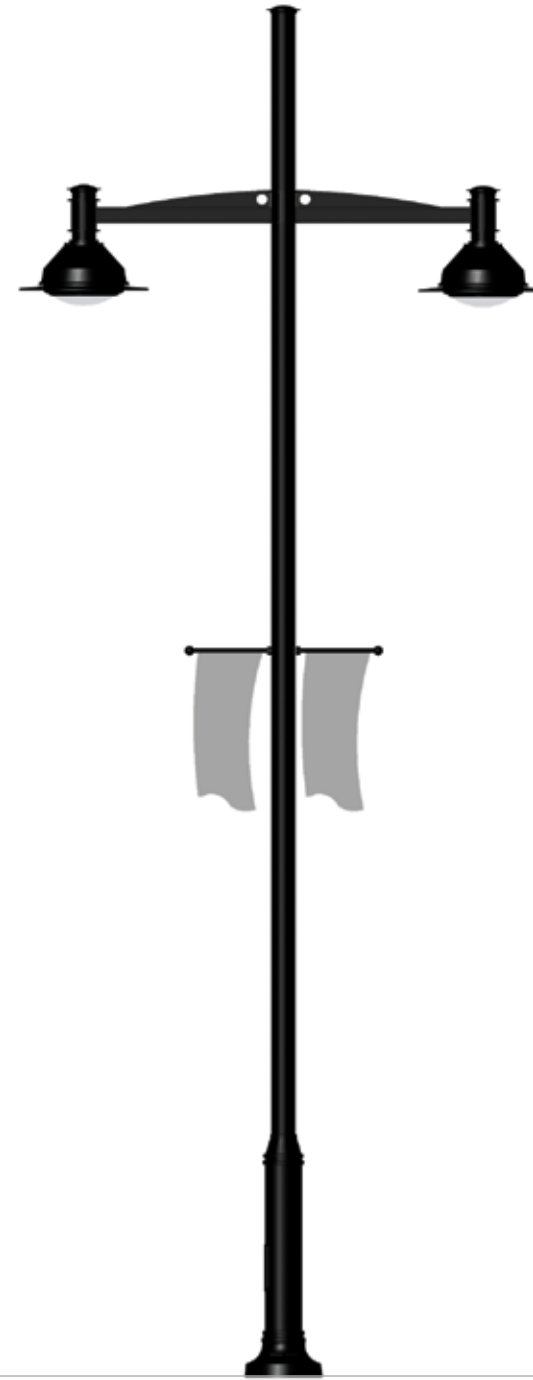
CANDS2
APR4-LBC4C
> P24



CAND2
JR-1A
TM6
> P38



CAND1
CNT-1A
AM6
> P30



TR20-SCB
UN-2
SSM8-BA
> P35



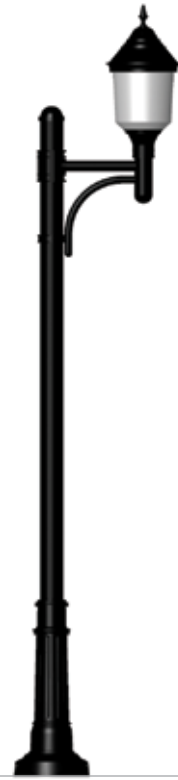
TR20-SHA-GRD
SN-1A
SM8
> P33



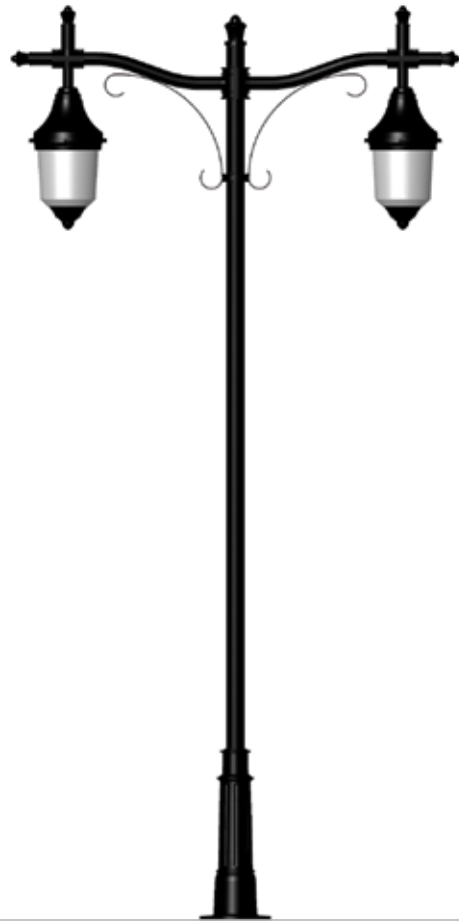
TRADITIONAL POLE



Z41-SFZ4
R80
> P50



Z47-SFZ4
M30-1A
RA805
> P54



Z65B-SFZ4
M20A-2
RS804
> P53



DMS50-SG
CRI-2
RTAF800-PS
> P61

TRADITIONAL POLE



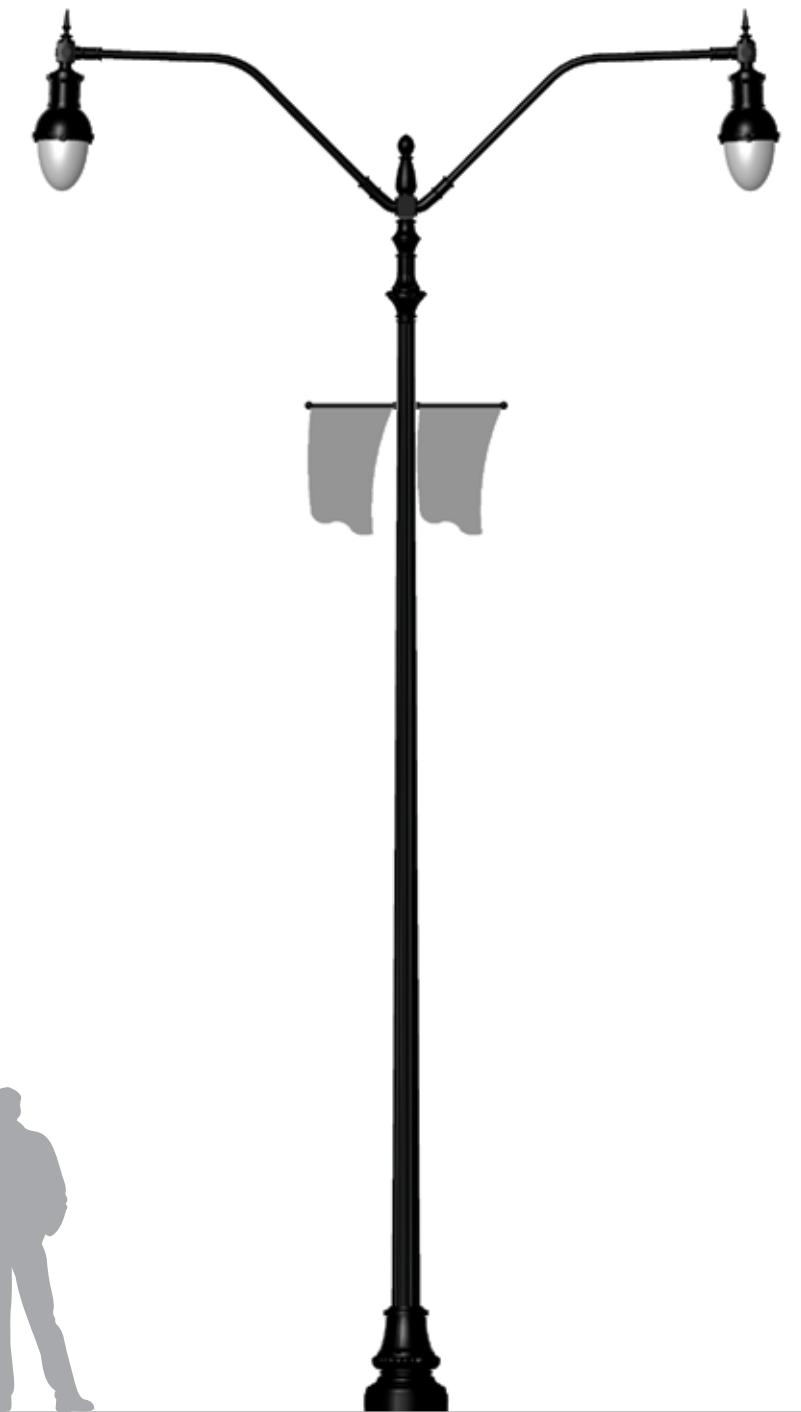
SS6
RA41
> P43



SS6C2
CRA-1A
RTA400
> P67



RN30-THA3
LM-1A
RTA500-PS
> P69

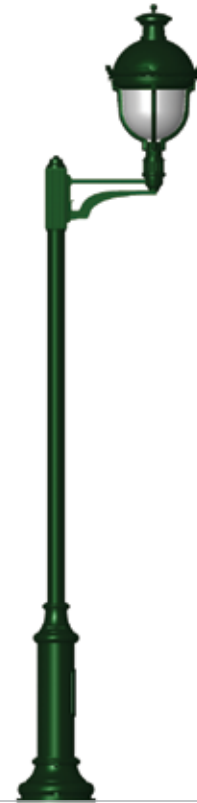


RN30-THA3-SMA
CJL8
RTA608-BA
> P71

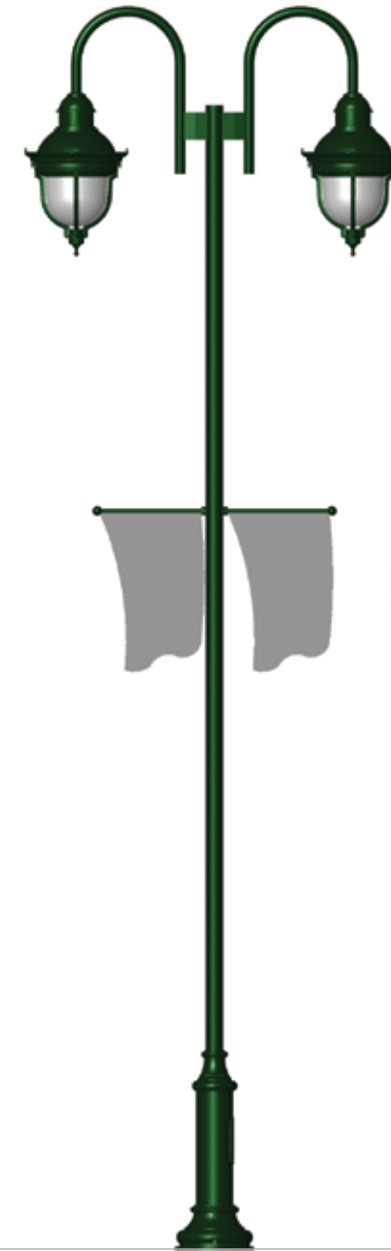
TRADITIONAL POLE



AT10-SHA
RA61
> P46



AT40-SHA
CRC-1A
RA61
> P46



AT50-SHA-GRD-CR30
IF-2
RS61V-BA
> P47



AT20-SHA
CRA-1A
RTA61
> P73

TRADITIONAL POLE



L80-SF80
RTA906
> P63



L80-SF80
CRD-1A
R90
> P62



DMS50-SG-DL
MJ-1A
R90-PS
> P62



DMS50-SG
NM-2
RTA127
> P59

TRADITIONAL POLE



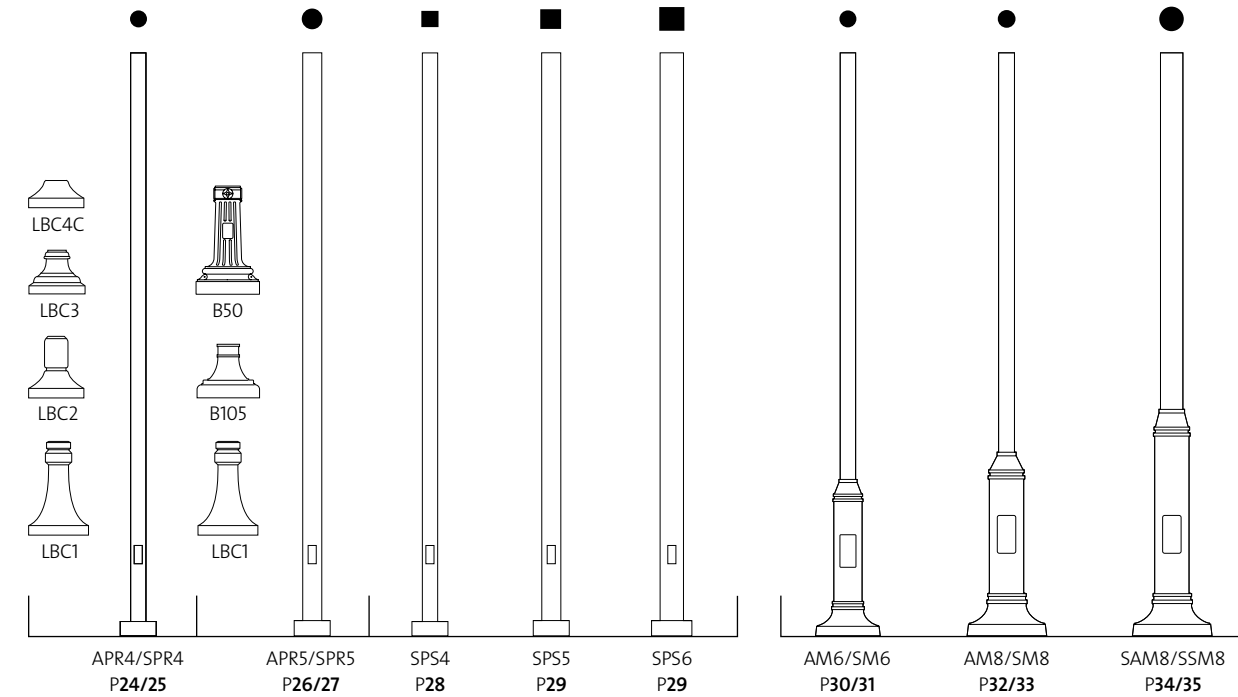
RN30-THA3-SMA
YR4-1A
R92
> P65



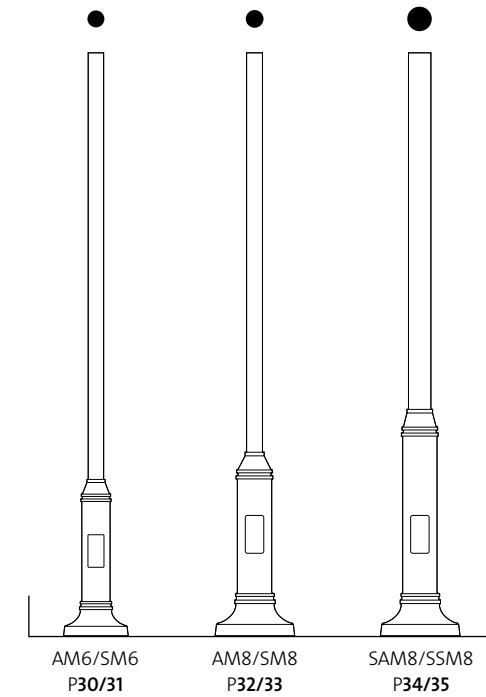
RN30-THA3-SMA
CRM8-2
RTA928-PS
> P64



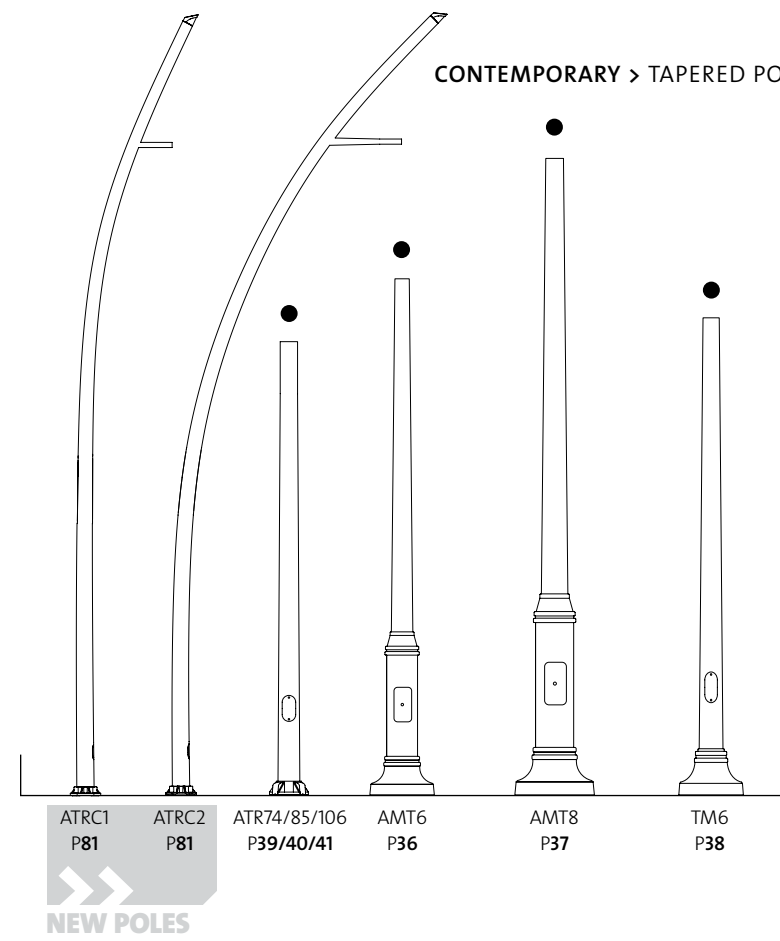
CONTEMPORARY > STRAIGHT SHAFT POLES



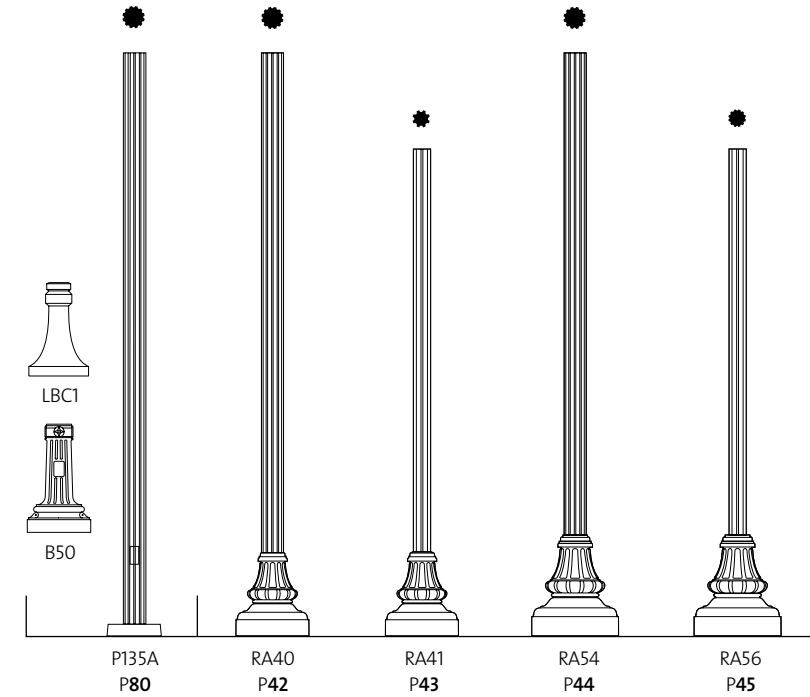
CONTEMPORARY > BOTTLENECK POLES



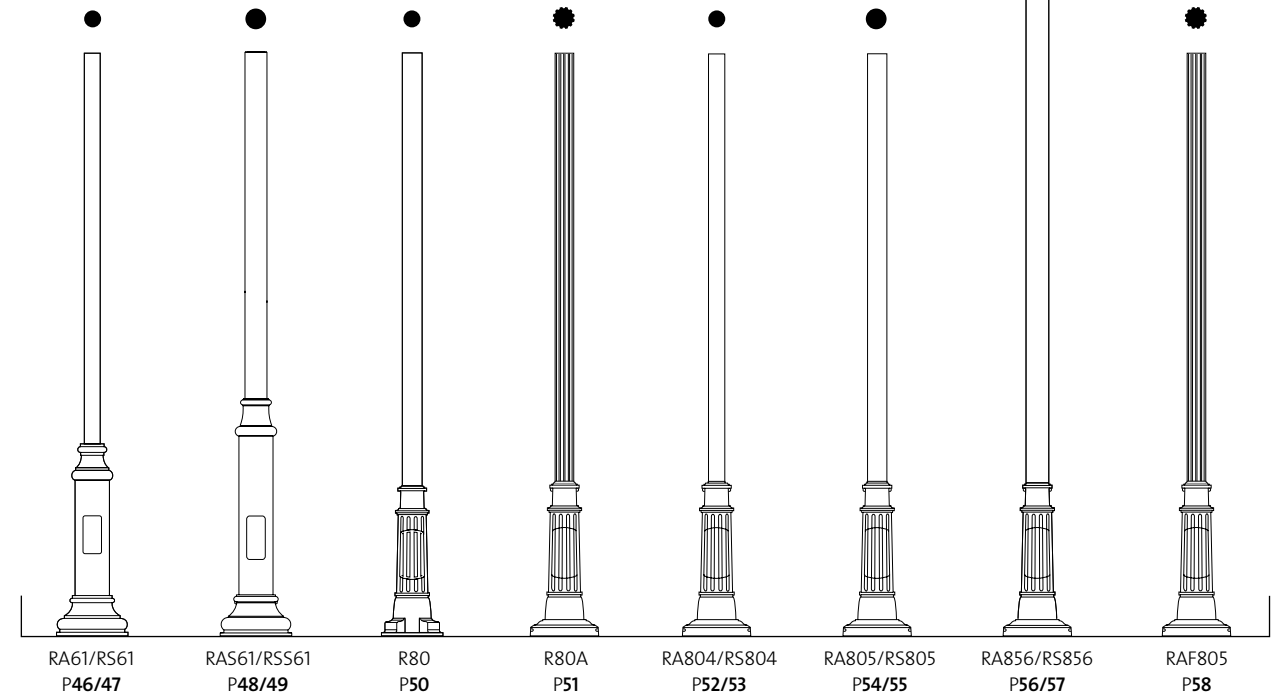
CONTEMPORARY > TAPERED POLES



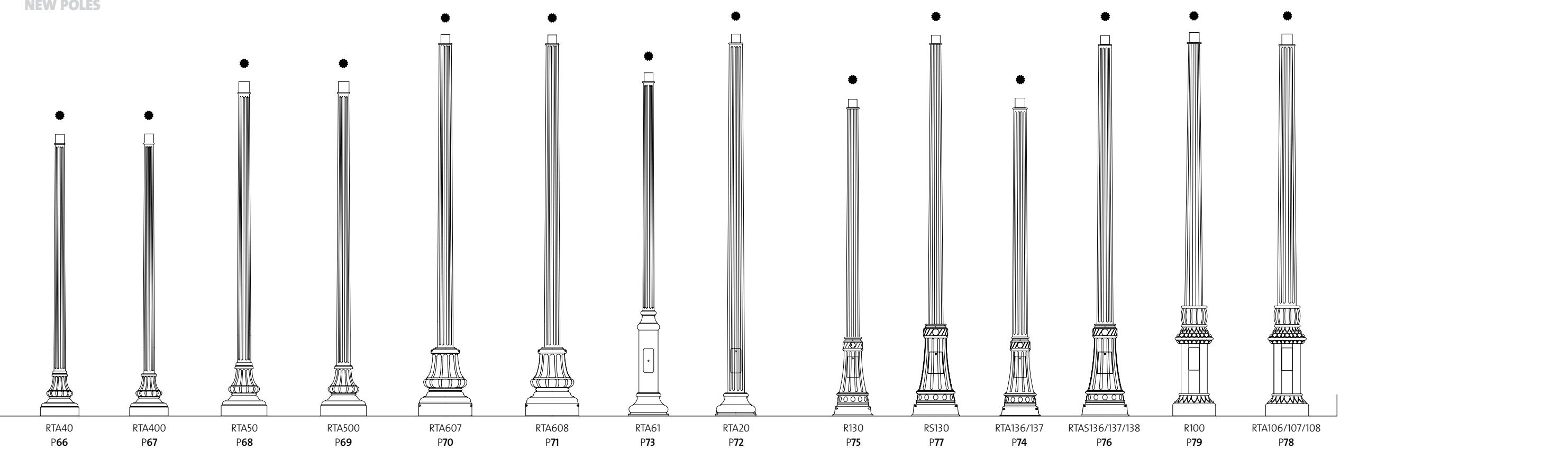
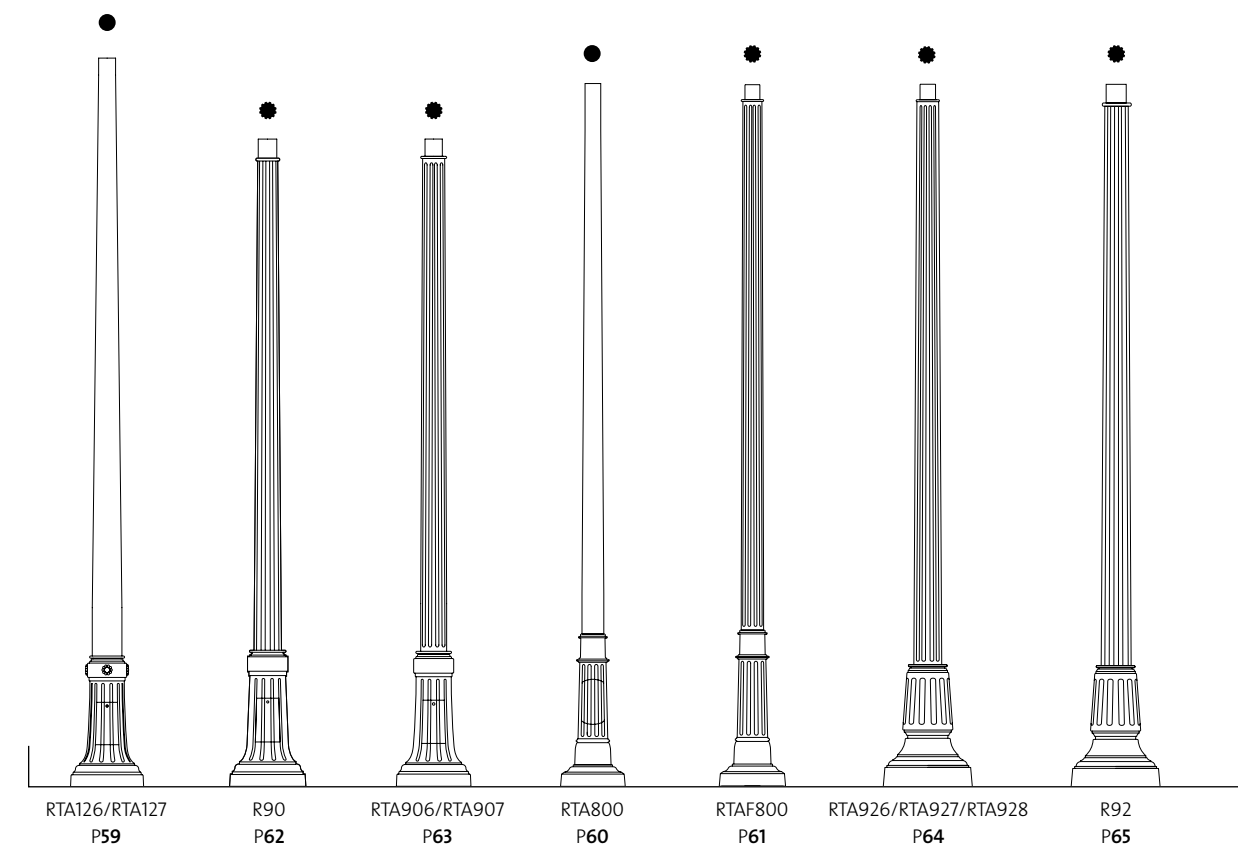
TRADITIONAL > STRAIGHT SHAFT POLES

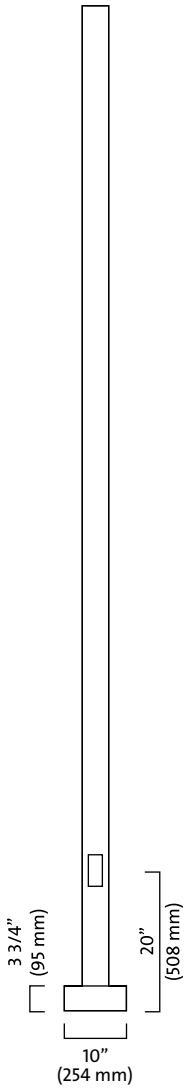


TRADITIONAL > BOTTLENECK POLES

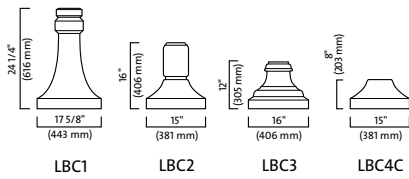


TRADITIONAL > TAPERED POLES

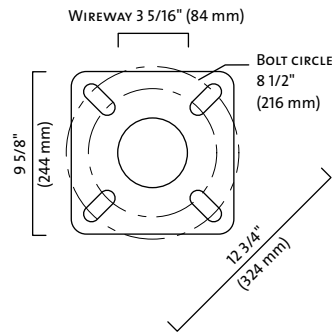
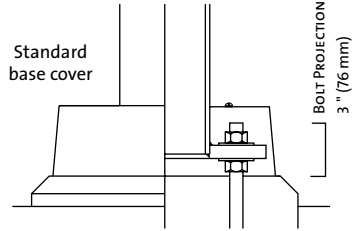




Optional base covers



Base details



Comes with 4 anchor bolts, 8 nuts and 8 washers.
B.C. from: 6 3/4" to 10" (171 to 254 mm)

Specifications:

Pole: made from a one-piece, seamless 4" round (102 mm) tube of extruded aluminum welded to both the top and bottom of a cast-aluminum anchor plate.
A 2" by 4 1/2" (51 by 114 mm) maintenance opening is complete with cover and copper ground lug.

Base cover: square base cover made from two pieces of formed aluminum mechanically fastened to the base with stainless steel hardware.

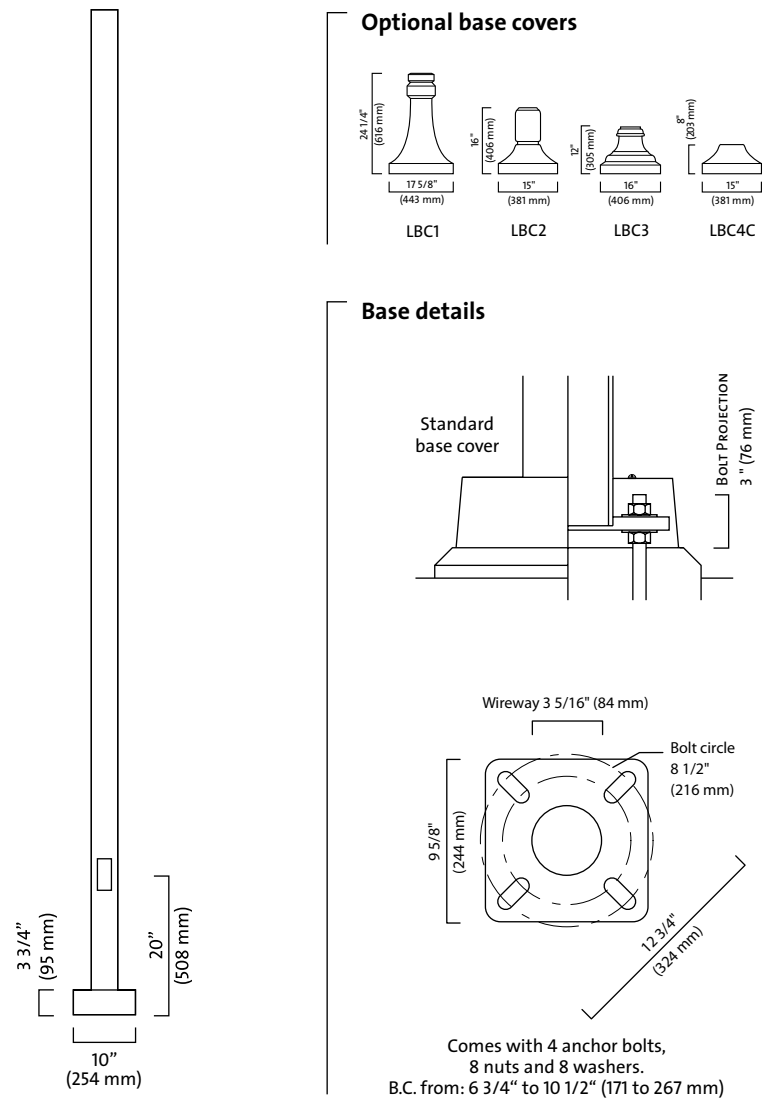
Finish: See page 142 for Finish details.

Options:

- DE:** Pole buried 5' (1524 mm) in the ground (see page 133)
 - LS:** Provision for loudspeaker outlet (see page 132)
 - PH7:** Button-type photoelectric cell (specify operating voltage)
 - PH8:** Quarter-turn type photoelectric cell (specify operating voltage)
 - DR:** Duplex receptacle (120V line voltage. only)
 - GFI:** DR with common ground fault interrupter (120V line voltage only)
 - HB:** Hinged base (16.0 ft./4.8 m max.)
 - BA:** Banner arm (see page 136)
 - PS:** Plant support (see page 137)
 - MPL:** Mid-pole luminaire
- Two-piece round decorative base covers:**
- LBC1:** Cast-aluminum
 - LBC2:** Cast-aluminum
 - LBC3:** Cast-aluminum
 - LBC4C:** Cast-aluminum

Note: The recommended method for calculating EPA (Effective Projected Area) is in accordance with AASHTO 2001 standards: for three seconds, the pole is tested in wind gusts equivalent to the strongest winds on record over the past 50 years, and with a 50 pound load (22.7 kg) placed at 1 foot (305 mm) above its center.

CATALOG NUMBER	NOMINAL HEIGHT		TENON SECTION		WALL THICKNESS		WEIGHT		EPA RATING				ANCHOR BOLTS	
	ft	m	in	mm	in	mm	lbs	kg	90 MPH	110 MPH	120 MPH	150 MPH	in	mm
APR4F-8	8	2.44	4	102	0.125	3.2	21	10	10.18	6.55	5.38	3.34	3/4-20	19-508
APR4U-8	8	2.44	4	102	0.226	5.7	32	14	18.64	12.35	10.28	6.53	3/4-20	19-508
APR4F-10	10	3.05	4	102	0.125	3.2	24	11	7.7	4.73	3.79	2.27	3/4-20	19-508
APR4U-10	10	3.05	4	102	0.226	5.7	38	17	14.58	9.44	7.78	4.87	3/4-20	19-508
APR4F-12	12	3.66	4	102	0.125	3.2	28	13	5.86	3.36	2.58	1.45	3/4-20	19-508
APR4U-12	12	3.66	4	102	0.226	5.7	44	20	11.65	7.31	5.94	3.64	3/4-20	19-508
APR4W-12	12	3.66	4	102	0.318	8.1	58	26	16.27	10.5	8.64	5.4	3/4-20	19-508
APR4F-14	14	4.27	4	102	0.125	3.2	31	14	4.44	2.27	1.63	-	3/4-20	19-508
APR4U-14	14	4.27	4	102	0.226	5.7	51	23	9.38	5.67	4.5	2.68	3/4-20	19-508
APR4W-14	14	4.27	4	102	0.318	8.1	67	30	13.34	8.4	6.82	4.18	3/4-20	19-508
APR4F-15	15	4.57	4	102	0.125	3.2	33	15	3.81	1.8	1.19	-	3/4-20	19-508
APR4U-15	15	4.57	4	102	0.226	5.7	54	24	8.42	4.97	3.88	2.25	3/4-20	19-508
APR4W-15	15	4.57	4	102	0.318	8.1	71	32	11.84	7.25	5.82	3.5	3/4-20	19-508
APR4F-16	16	4.88	4	102	0.125	3.2	35	16	3.27	1.36	-	-	3/4-20	19-508
APR4U-16	16	4.88	4	102	0.226	5.7	57	26	7.15	4.05	3.13	1.77	3/4-20	19-508
APR4W-16	16	4.88	4	102	0.318	8.1	75	34	10.06	6	4.76	2.82	3/4-20	19-508
APR4U-18	18	5.49	4	102	0.226	5.7	63	29	5.55	3.15	2.27	1.16	3/4-27	19-686
APR4W-18	18	5.49	4	102	0.318	8.1	84	38	7.78	4.67	3.7	2.19	3/4-27	19-686
APR4W-20	20	6.10	4	102	0.318	8.1	93	42	6.31	3.83	2.92	1.57	3/4-27	19-686



Specifications:

Pole: made from a one-piece, 4" round (102 mm) tube of high-tensile carbon steel sealed by a rolled and flattened vertical weld seam and welded to both the top and bottom of a steel anchor plate. A 2" by 4 1/2" (51 by 114 mm) maintenance opening is complete with cover and copper ground lug.
Base cover: square base cover made from two pieces of formed aluminum mechanically fastened to the base with stainless steel hardware.
Finish: See page 142 for Finish details.

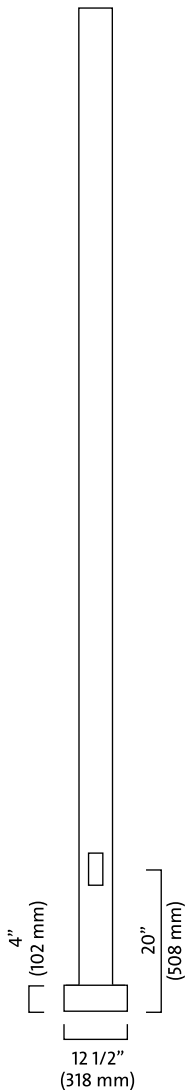
Options:

- DE:** Pole buried 5' (1524 mm) in the ground (see page 133)
 - LS:** Provision for loudspeaker outlet (see page 132)
 - PH7:** Button-type photoelectric cell (specify operating voltage)
 - PH8:** Quarter-turn type photoelectric cell (specify operating voltage)
 - DR:** Duplex receptacle (120V line voltage. only)
 - GFI:** DR with common ground fault interrupter (120V line voltage only)
 - BA:** Banner arm (see page 136)
 - PS:** Plant support (see page 137)
 - MPL:** Mid-pole luminaire
- Two-piece round decorative base covers:**
- LBC1:** Cast-aluminum
 - LBC2:** Cast-aluminum
 - LBC3:** Cast-aluminum
 - LBC4C:** Cast-aluminum

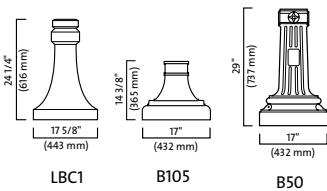
Note: The recommended method for calculating EPA (Effective Projected Area) is in accordance with AASHTO 2001 standards: for three seconds, the pole is tested in wind gusts equivalent to the strongest winds on record over the past 50 years, and with a 50 pound load (22.7 kg) placed at 1 foot (305 mm) above its center.

CATALOG NUMBER	NOMINAL HEIGHT		TENON SECTION		WALL THICKNESS		WEIGHT		EPA RATING				ANCHOR BOLTS	
	ft	m	in	mm	in	mm	lbs	kg	90 MPH	110 MPH	120 MPH	150 MPH	in	mm
SPR4D-8	8	2.44	4	102	0.120	3.0	55	25	24.8	16.65	13.96	8.95	3/4-20	19-508
SPR4D-10	10	3.05	4	102	0.120	3.0	65	30	19.38	12.85	10.71	6.81	3/4-20	19-508
SPR4N-10	10	3.05	4	102	0.180	4.8	94	43	28.85	19.4	16.27	10.44	3/4-20	19-508
SPR4D-12	12	3.66	4	102	0.120	3.0	75	34	15.49	10.1	8.33	5.24	3/4-20	19-508
SPR4N-12	12	3.66	4	102	0.180	4.8	110	50	23.34	15.54	12.96	8.27	3/4-20	19-508
SPR4D-14	14	4.27	4	102	0.120	3.0	85	39	12.55	7.98	6.49	4.01	3/4-20	19-508
SPR4N-14	14	4.27	4	102	0.180	4.8	125	57	19.2	12.61	10.44	6.61	3/4-20	19-508
SPR4V-14	14	4.27	4	102	0.250	6.4	160	73	26.35	17.6	14.69	9.4	3/4-20	19-508
SPR4D-15	15	4.57	4	102	0.120	3.0	90	41	11.31	7.08	5.73	3.5	3/4-20	19-508
SPR4N-15	15	4.57	4	102	0.180	4.8	133	60	17.47	11.38	9.36	5.9	3/4-20	19-508
SPR4V-15	15	4.57	4	102	0.250	6.4	170	77	24.1	16.02	13.32	8.48	3/4-20	19-508
SPR4D-16	16	4.88	4	102	0.120	3.0	95	43	10.24	6.31	5.02	3.03	3/4-20	19-508
SPR4N-16	16	4.88	4	102	0.180	4.8	140	64	15.98	10.31	8.45	5.28	3/4-20	19-508
SPR4V-16	16	4.88	4	102	0.250	6.4	180	82	22.17	14.63	12.15	7.72	3/4-20	19-508
SPR4D-18	18	5.49	4	102	0.120	3.0	105	48	8.15	4.77	3.69	2.12	3/4-27	19-686
SPR4N-18	18	5.49	4	102	0.180	4.8	155	70	13.05	8.19	6.62	4.05	3/4-27	19-686
SPR4V-18	18	5.49	4	102	0.250	6.4	200	91	18.3	11.88	9.77	6.14	3/4-27	19-686
SPR4D-20	20	6.10	4	102	0.120	3.0	115	52	6.43	3.5	2.56	1.36	3/4-27	19-686
SPR4N-20	20	6.10	4	102	0.180	4.8	170	77	10.65	6.46	5.11	3.03	3/4-27	19-686
SPR4V-20	20	6.10	4	102	0.250	6.4	220	100	15.16	9.65	7.84	4.85	3/4-27	19-686

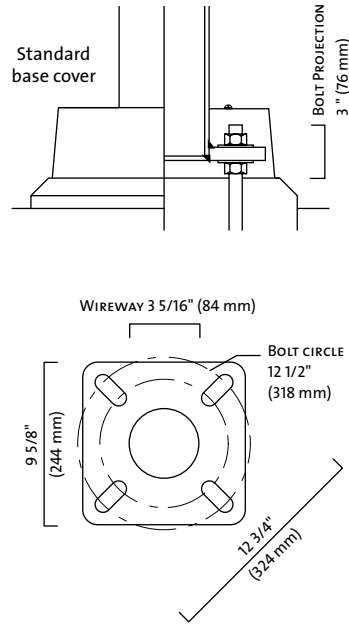
Note: Philips Lumec reserves the right to modify the above details to reflect changes in the cost of materials and/or production and/or design without prior notice.



Optional base covers



Base details



Comes with 4 anchor bolts, 8 nuts and 8 washers. B.C. from: 9 1/4" to 12 3/4" (235 to 324 mm)

Specifications:

Pole: made from a one-piece, seamless 5" round (127 mm) tube of extruded aluminum welded to both the top and bottom of a cast-aluminum anchor plate. A 2" by 4 1/2" (51 by 114 mm) maintenance opening is complete with cover and copper ground lug.

Base cover: square base cover made from two pieces of formed aluminum mechanically fastened to the base with stainless steel hardware.

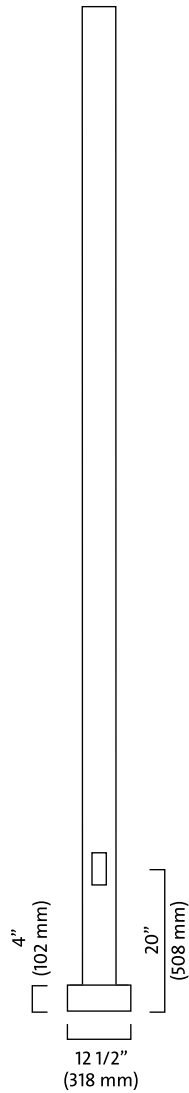
Finish: See page 142 for Finish details.

Options:

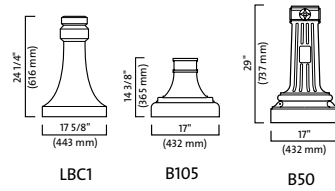
- DE:** Pole buried 5' (1524 mm) in the ground (see page 133)
- LS:** Provision for loudspeaker outlet (see page 132)
- PH7:** Button-type photoelectric cell (specify operating voltage)
- PH8:** Quarter-turn type photoelectric cell (specify operating voltage)
- DR:** Duplex receptacle (120V line voltage only)
- GFI:** DR with common ground fault interrupter (120V line voltage only)
- HB:** Hinged base (16.0 ft./4.8 m max.)
- BA:** Banner arm (see page 136)
- PS:** Plant support (see page 137)
- MPL:** Mid-pole luminaire
- Two-piece round decorative base cover:**
- LBC1:** Cast-aluminum
- B105:** Cast-aluminum
- B50:** Cast-aluminum

Note: The recommended method for calculating EPA (Effective Projected Area) is in accordance with AASHTO 2001 standards: for three seconds, the pole is tested in wind gusts equivalent to the strongest winds on record over the past 50 years, and with a 50 pound load (22.7 kg) placed at 1 foot (305 mm) above its center.

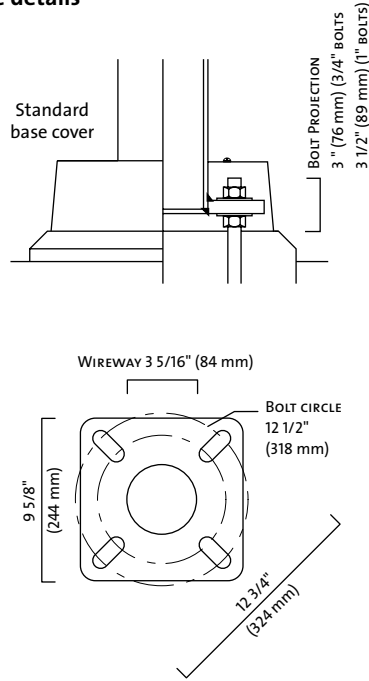
CATALOG NUMBER	NOMINAL HEIGHT		TENON SECTION		WALL THICKNESS		WEIGHT		EPA RATING				ANCHOR BOLTS	
	ft	m	in	mm	in	mm	lbs	kg	90 MPH	110 MPH	120 MPH	150 MPH	in	mm
APR5E-12	12	3.66	5	127	0.170	4.3	49	22	14.55	9.57	7.99	4.97	3/4-20	19-508
APR5S-12	12	3.66	5	127	0.219	5.6	59	27	19.09	12.68	10.62	6.68	3/4-20	19-508
APR5R-12	12	3.66	5	127	0.247	6.2	65	29	21.72	14.46	12.13	7.66	3/4-20	19-508
APR5E-14	14	4.27	5	127	0.170	4.3	55	25	11.76	7.6	6.31	3.85	3/4-20	19-508
APR5S-14	14	4.27	5	127	0.219	5.6	66	30	15.67	10.3	8.58	5.32	3/4-20	19-508
APR5R-14	14	4.27	5	127	0.247	6.2	74	34	17.92	11.82	9.89	6.17	3/4-20	19-508
APR5E-15	15	4.57	5	127	0.170	4.3	58	26	10.59	6.78	5.61	3.38	3/4-20	19-508
APR5S-15	15	4.57	5	127	0.219	5.6	70	32	14.24	9.28	7.72	4.76	3/4-20	19-508
APR5R-15	15	4.57	5	127	0.247	6.2	78	35	16.33	10.71	8.95	5.55	3/4-20	19-508
APR5E-16	16	4.88	5	127	0.170	4.3	61	28	9.57	6.06	4.97	2.97	3/4-20	19-508
APR5S-16	16	4.88	5	127	0.219	5.6	74	34	12.33	7.95	6.58	4.01	3/4-20	19-508
APR5R-16	16	4.88	5	127	0.247	6.2	82	37	14.34	9.3	7.74	4.76	3/4-20	19-508
APR5E-18	18	5.49	5	127	0.170	4.3	67	30	7.54	4.61	3.74	2.13	3/4-27	19-686
APR5S-18	18	5.49	5	127	0.219	5.6	82	37	9.95	6.25	5.14	3.03	3/4-27	19-686
APR5R-18	18	5.49	5	127	0.247	6.2	91	41	11.67	7.45	6.14	3.69	3/4-27	19-686
APR5E-20	20	6.10	5	127	0.170	4.3	73	33	5.86	3.41	2.72	1.45	3/4-27	19-686
APR5S-20	20	6.10	5	127	0.219	5.6	90	41	7.95	4.85	3.94	2.23	3/4-27	19-686
APR5R-20	20	6.10	5	127	0.247	6.2	100	45	9.48	5.9	4.83	2.8	3/4-27	19-686



Optional base covers



Base details



Comes with 4 anchor bolts, 8 nuts and 8 washers.
 BLN 3/4" B.C. from: 8" to 12 1/2" (203 to 324 mm)
 BLN 1" B.C. from: 8" to 12 7/8" (203 to 327 mm)

Specifications:

Pole: made from a one-piece, 5" round (127 mm) tube of high-tensile carbon steel sealed by a rolled and flattened vertical weld seam and welded to both the top and bottom of a steel anchor plate. A 2" by 4 1/2" (51 by 114 mm) maintenance opening is complete with cover and copper ground lug.

Base cover: square base cover made from two pieces of formed aluminum mechanically fastened to the base with stainless steel hardware.

Finish: See page 142 for Finish details.

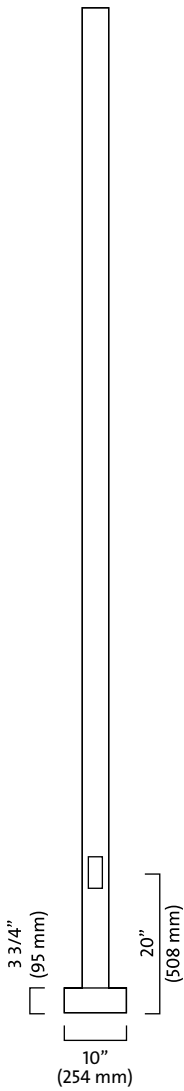
Options:

- DE:** Pole buried 5' (1524 mm) in the ground (see page 133)
- LS:** Provision for loudspeaker outlet (see page 132)
- PH7:** Button-type photoelectric cell (specify operating voltage)
- PH8:** Quarter-turn type photoelectric cell (specify operating voltage)
- DR:** Duplex receptacle (120V line voltage only)
- GFI:** DR with common ground fault interrupter (120V line voltage only)
- BA:** Banner arm (see page 136)
- PS:** Plant support (see page 137)
- MPL:** Mid-pole luminaire
- Two-piece round decorative base cover:**
- LBC1:** Cast-aluminum
- B105:** Cast-aluminum
- B50:** Cast-aluminum

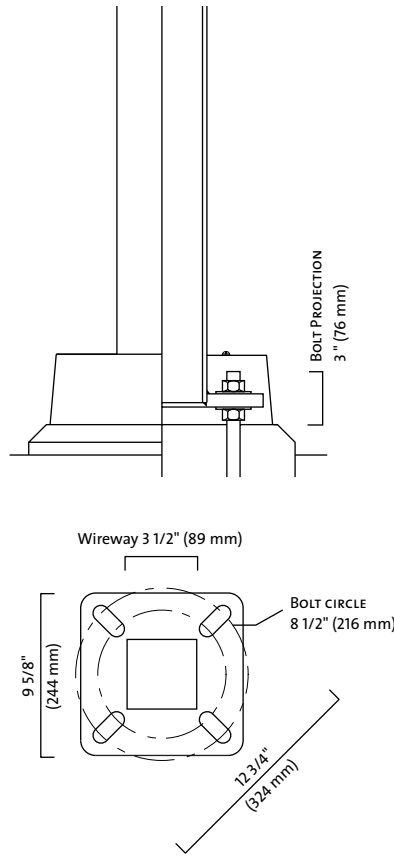
Note: The recommended method for calculating EPA (Effective Projected Area) is in accordance with AASHTO 2001 standards: for three seconds, the pole is tested in wind gusts equivalent to the strongest winds on record over the past 50 years, and with a 50 pound load (22.7 kg) placed at 1 foot (305 mm) above its center.

CATALOG NUMBER	NOMINAL HEIGHT		TENON SECTION		WALL THICKNESS		WEIGHT	EPA RATING				ANCHOR BOLTS	
	ft	m	in	mm	in	mm		90 MPH	110 MPH	120 MPH	150 MPH	in	mm
SPR5C-14	14	4.27	5	127	0.150	3.8	133 61	26.73	18.07	15.22	9.71	3/4-20	19-508
SPR5J-14	14	4.27	5	127	0.180	4.6	154 70	30	21.84	18.42	11.8	3/4-20	19-508
SPR5V-14	14	4.27	5	127	0.250	6.4	201 91	30	30	25.56	16.47	3/4-20	19-508
SPR5C-15	15	4.57	5	127	0.150	3.8	141 64	24.44	16.49	13.87	8.83	3/4-20	19-508
SPR5J-15	15	4.57	5	127	0.180	4.6	163 74	29.52	19.99	16.86	10.77	3/4-20	19-508
SPR5V-15	15	4.57	5	127	0.250	6.4	214 97	30	27.82	23.5	15.12	3/4-20	19-508
SPR5C-16	16	4.88	5	127	0.150	3.8	148 67	22.49	15.13	12.73	8.07	3/4-20	19-508
SPR5J-16	16	4.88	5	127	0.180	4.6	172 78	27.23	18.42	15.51	9.89	3/4-20	19-508
SPR5V-16	16	4.88	5	127	0.250	6.4	227 103	30	25.74	21.74	13.99	3/4-20	19-508
SPR5C-18	18	5.49	5	127	0.150	3.8	163 74	18.56	12.39	10.38	6.51	1-36	25-914
SPR5J-18	18	5.49	5	127	0.180	4.6	191 87	22.63	15.22	12.8	8.1	1-36	25-914
SPR5V-18	18	5.49	5	127	0.250	6.4	252 115	30	21.51	18.15	11.61	1-36	25-914
SPR5C-20	20	6.10	5	127	0.150	3.8	178 81	15.37	10.15	8.48	5.24	1-36	25-914
SPR5J-20	20	6.10	5	127	0.180	4.6	208 94	18.91	12.61	10.57	6.61	1-36	25-914
SPR5V-20	20	6.10	5	127	0.250	6.4	277 126	26.74	18.09	15.22	9.69	1-36	25-914
SPR5C-22	22	6.71	5	127	0.150	3.8	193 88	12.72	8.27	6.86	4.17	1-36	25-914
SPR5V-22	22	6.71	5	127	0.250	6.4	303 138	22.68	15.24	12.8	8.07	1-36	25-914
SPR5V-25	25	7.62	5	127	0.250	6.4	340 154	17.72	11.74	9.81	6.08	1-36	25-914
SPR5V-30	30	9.14	5	127	0.250	6.4	404 183	11.41	7.25	5.96	3.48	1-36	25-914

Note: Philips Lumec reserves the right to modify the above details to reflect changes in the cost of materials and/or production and/or design without prior notice.



Base details



Comes with 4 anchor bolts,
8 nuts and 8 washers.
B.C. from: 8" to 10 1/2" (203 to 267 mm)

Specifications:

Pole: made from a one-piece, 4" square (102 mm) tube of high-tensile carbon steel sealed by a rolled and flattened vertical weld seam and welded to both the top and bottom of a steel base.

A 2" by 4 1/2" (51 by 114 mm) maintenance opening is complete with cover and copper ground lug.

Base cover: square base cover made from two pieces of formed aluminum mechanically fastened to the base with stainless steel hardware.

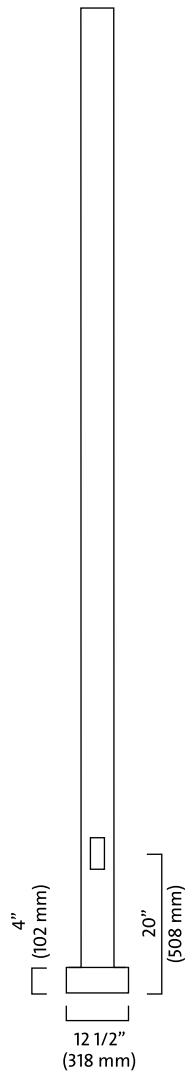
Finish: See page 142 for Finish details.

Options:

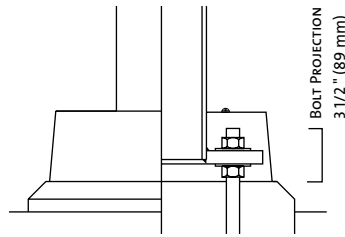
- DE:** Pole buried 5' (1524 mm) in the ground (see page 133)
- LS:** Provision for loudspeaker outlet (see page 132)
- PH7:** Button-type photoelectric cell (specify operating voltage)
- PH8:** Quarter-turn type photoelectric cell (specify operating voltage)
- DR:** Duplex receptacle (120V line voltage only)
- GFI:** DR with common ground fault interrupter (120V line voltage only)
- BA:** Banner arm (see page 136)
- PS:** Plant support (see page 137)
- MPL:** Mid-pole luminaire

Note: The recommended method for calculating EPA (Effective Projected Area) is in accordance with AASHTO 2001 standards: for three seconds, the pole is tested in wind gusts equivalent to the strongest winds on record over the past 50 years, and with a 50 pound load (22.7 kg) placed at 1 foot (305 mm) above its center.

CATALOG NUMBER	NOMINAL HEIGHT		TENON SECTION		WALL THICKNESS		WEIGHT		EPA RATING				ANCHOR BOLTS	
	ft	m	in	mm	in	mm	lbs	kg	90 MPH	110 MPH	120 MPH	150 MPH	in	mm
SPS4D-8	8	2.44	4	102	0.120	3.0	65	29	30	30	30	30	3/4-20	19-508
SPS4J-8	8	2.44	4	102	0.180	4.5	100	45	30	30	30	30	3/4-20	19-508
SPS4D-10	10	3.05	4	102	0.120	3.0	76	34	30	30	30	23.13	3/4-20	19-508
SPS4J-10	10	3.05	4	102	0.180	4.5	119	54	30	30	30	30	3/4-20	19-508
SPS4D-12	12	3.66	4	102	0.120	3.0	88	40	30	30	24.92	15.28	3/4-20	19-508
SPS4J-12	12	3.66	4	102	0.180	4.5	138	63	30	30	30	22.66	3/4-20	19-508
SPS4D-14	14	4.27	4	102	0.120	3.0	100	45	30	21.25	17.5	10.42	3/4-20	19-508
SPS4J-14	14	4.27	4	102	0.180	4.5	156	71	30	30	26	15.84	3/4-20	19-508
SPS4D-15	15	4.57	4	102	0.120	3.0	105	48	28.15	18.07	14.81	8.64	3/4-20	19-508
SPS4J-15	15	4.57	4	102	0.180	4.5	166	75	30	26.88	22.19	13.37	3/4-20	19-508
SPS4V-15	15	4.57	4	102	0.250	6.4	192	87	30	30	29.9	18.3	3/4-20	19-508
SPS4D-16	16	4.88	4	102	0.120	3.0	112	51	24.42	15.51	12.64	7.19	3/4-20	19-508
SPS4J-16	16	4.88	4	102	0.180	4.5	175	79	30	23.28	19.16	11.35	3/4-20	19-508
SPS4V-16	16	4.88	4	102	0.250	6.4	203	92	30	30	25.97	15.71	3/4-20	19-508
SPS4D-18	18	5.49	4	102	0.120	3.0	124	56	18.85	12	9.77	5.57	3/4-27	19-686
SPS4J-18	18	5.49	4	102	0.180	4.5	193	88	27.82	17.99	14.81	8.8	3/4-27	19-686
SPS4V-18	18	5.49	4	102	0.250	6.4	229	104	30	24.24	20.06	12.15	3/4-27	19-686
SPS4D-20	20	6.10	4	102	0.120	3.0	137	62	15.1	9.65	7.9	4.56	3/4-27	19-686
SPS4J-20	20	6.10	4	102	0.180	4.5	212	96	22.19	14.4	11.88	7.13	3/4-27	19-686
SPS4V-20	20	6.10	4	102	0.250	6.4	252	114	29.6	19.36	16.04	9.77	3/4-27	19-686

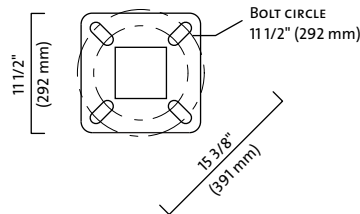


Base details



SPS5

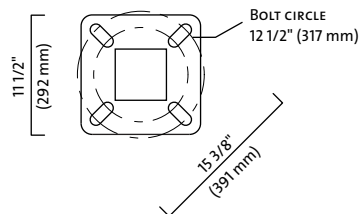
WIREWAY 4 1/2" (114 mm)



B.C. from: 10 1/2" to 12" (267 to 305 mm)

SPS6

WIREWAY 5 1/2" (140 mm)



Comes with 4 anchor bolts,
8 nuts and 8 washers.
B.C. from: 11 1/2" to 12 3/4" (292 to 324 mm)

Specifications:

Pole: made from a one-piece, 5" or 6" square (127 mm or 152 mm) tube of high-tensile carbon steel, sealed by a rolled and flattened vertical weld seam, welded to both the top and bottom of a steel anchor plate.

A 2" by 4 1/2" (51 by 114 mm) maintenance opening is complete with cover and copper ground lug.

Base cover: square base cover made from two pieces of formed aluminum mechanically fastened to the base with stainless steel hardware.

Finish: See page 142 for Finish details.

Options:

DE: Pole buried 5' (1524 mm) in the ground (see page 133)

LS: Provision for loudspeaker outlet (see page 132)

PH7: Button-type photoelectric cell (specify operating voltage)

PH8: Quarter-turn type photoelectric cell (specify operating voltage)

DR: Duplex receptacle (120V line voltage only)

GFI: DR with common ground fault interrupter (120V line voltage only)

BA: Banner arm (see page 136)

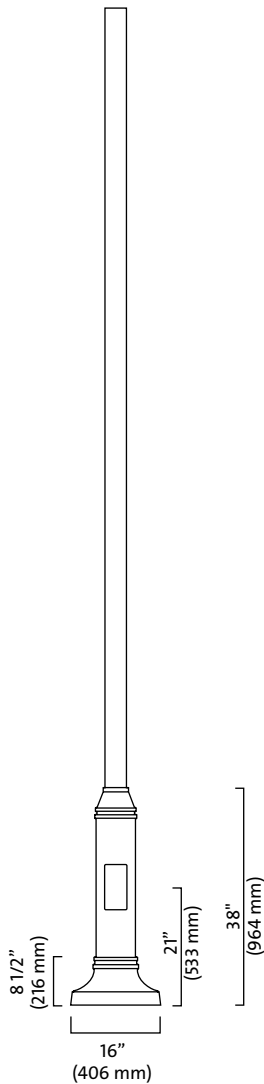
PS: Plant support (see page 137)

MPL: Mid-pole luminaire

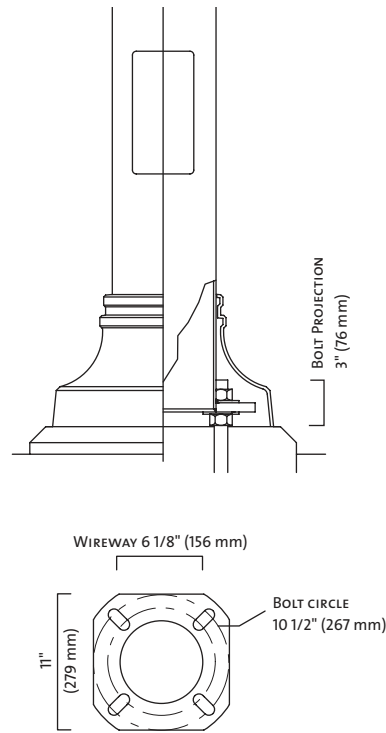
Note: The recommended method for calculating EPA (Effective Projected Area) is in accordance with AASHTO 2001 standards: for three seconds, the pole is tested in wind gusts equivalent to the strongest winds on record over the past 50 years, and with a 50 pound load (22.7 kg) placed at 1 foot (305 mm) above its center.

CATALOG NUMBER	NOMINAL HEIGHT		TENON SECTION		WALL THICKNESS		WEIGHT		EPA RATING				ANCHOR BOLTS	
	ft	m	in	mm	in	mm	lbs	kg	90 MPH	110 MPH	120 MPH	150 MPH	in	mm
SPS5D-15	15	4.57	5	127	0.120	3.0	138	63	30	30	30	18.91	1-36	25-914
SPS5J-15	15	4.57	5	127	0.180	4.5	202	92	30	30	30	28.64	1-36	25-914
SPS5V-15	15	4.57	5	127	0.250	6.4	257	117	30	30	30	30	1-36	25-914
SPS5D-18	18	5.49	5	127	0.120	3.0	170	77	30	25.28	20.84	12.49	1-36	25-914
SPS5J-18	18	5.49	5	127	0.180	4.5	220	100	30	30	30	19.12	1-36	25-914
SPS5V-18	18	5.49	5	127	0.250	6.4	312	142	30	30	30	23.6	1-36	25-914
SPS5D-20	20	6.10	5	127	0.120	3.0	185	84	30	20.22	16.72	10.09	1-36	25-914
SPS5J-20	20	6.10	5	127	0.180	4.5	244	111	30	29.99	24.92	15.34	1-36	25-914
SPS5V-20	20	6.10	5	127	0.250	6.4	344	156	30	30	30	19.83	1-36	25-914
SPS5D-25	25	7.62	5	127	0.120	3.0	224	102	19.15	12.52	10.38	6.31	1-36	25-914
SPS5J-25	25	7.62	5	127	0.180	4.5	328	149	28.05	18.48	15.4	9.54	1-36	25-914
SPS5V-25	25	7.62	5	127	0.250	6.4	422	192	30	24.85	20.75	12.7	1-36	25-914
SPS5J-30	30	9.14	5	127	0.180	4.5	388	176	18.85	12.47	10.38	6.47	1-36	25-914
SPS5V-30	30	9.14	5	127	0.250	6.4	500	227	25.22	16.72	13.97	7.52	1-36	25-914
SPS6J-25	25	7.62	6	152	0.180	4.5	407	185	30	26.92	21.96	12.08	1-36	25-914
SPS6V-25	25	7.62	6	152	0.250	6.4	449	204	30	27.61	22.45	12.29	1-36	25-914
SPS6J-30	30	9.14	6	152	0.180	4.5	464	210	29.67	18.44	14.54	6.76	1-36	25-914
SPS6V-30	30	9.14	6	152	0.250	6.4	597	271	30	18.91	14.87	6.88	1-36	25-914
SPS6J-35	35	10.67	6	152	0.180	4.5	555	252	21.02	12	8.87	2.56	1-36	25-914
SPS6V-35	35	10.67	6	152	0.250	6.4	639	290	21.82	12.33	9.07	2.6	1-36	25-914

Note: Philips Lumec reserves the right to modify the above details to reflect changes in the cost of materials and/or production and/or design without prior notice.



Base details



Comes with 4 anchor bolts,
8 nuts and 8 washers.
B.C. from: 8 3/4" to 11" (222 to 279 mm)

Specifications:

Pole: made from a one piece, seamless 4" round (102 mm) tube of extruded-aluminum welded over and in a 6 5/8" round (168 mm) extruded-aluminum pole base.

The assembly is welded to both the top and bottom of a cast-aluminum anchor plate.

A 4 1/2" by 10" (114 by 254 mm) maintenance opening is complete with cover and copper ground lug.

Joint cover: made from two pieces of cast-aluminum mechanically fastened to the junction with stainless steel hardware.

Base cover: made from two pieces of cast aluminum mechanically fastened to the base with stainless steel hardware.

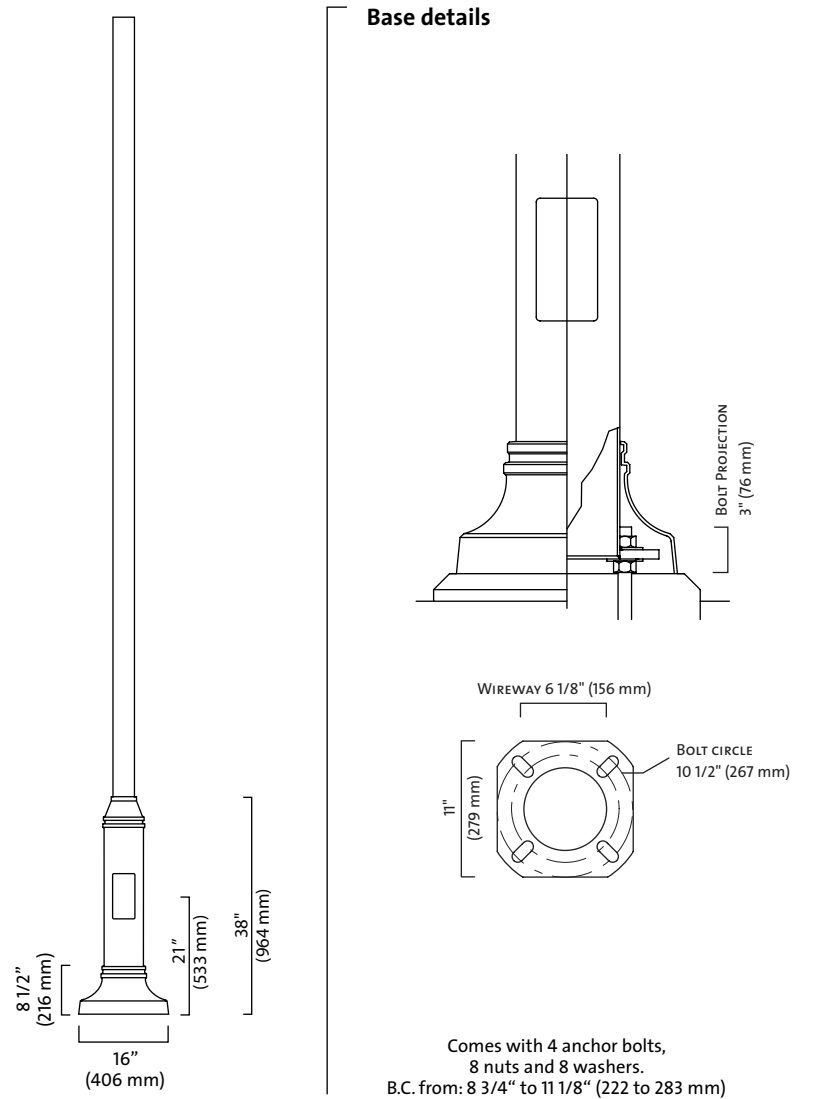
Finish: See page 142 for Finish details.

Options:

- DE:** Pole base buried 5' (1524 mm) in the ground (see page 133).
- LS:** Provision for loudspeaker outlet (see page 132)
- PH7:** Button-type photoelectric cell (specify operating voltage)
- PH8:** Quarter-turn type photoelectric cell (specify operating voltage)
- DR:** Duplex receptacle (120V line voltage. only)
- GFI:** DR with common ground fault interrupter (120V line voltage only)
- BA:** Banner arm (see page 136)
- PS:** Plant support (see page 137)
- MPL:** Mid-pole luminaire

Note: The recommended method for calculating EPA (Effective Projected Area) is in accordance with AASHTO 2001 standards: for three seconds, the pole is tested in wind gusts equivalent to the strongest winds on record over the past 50 years, and with a 50 pound load (22.7 kg) placed at 1 foot (305 mm) above its center.

CATALOG NUMBER	NOMINAL HEIGHT		TENON SECTION		WALL THICKNESS		WEIGHT		EPA RATING				ANCHOR BOLTS	
	ft	m	in	mm	in	mm	lbs	kg	90 MPH	110 MPH	120 MPH	150 MPH	in	mm
AM6F-8	8	2.44	4	102	0.125	3.2	27	12	15.65	10.47	8.77	5.61	3/4-20	19-508
AM6U-8	8	2.44	4	102	0.226	5.7	37	17	27.82	18.85	15.86	10.21	3/4-20	19-508
AM6F-10	10	3.05	4	102	0.125	3.2	31	14	11.35	7.39	6.1	3.83	3/4-20	19-508
AM6U-10	10	3.05	4	102	0.226	5.7	41	19	20.61	13.73	11.47	7.31	3/4-20	19-508
AM6F-12	12	3.66	4	102	0.125	3.2	35	16	8.54	5.34	4.32	2.64	3/4-20	19-508
AM6U-12	12	3.66	4	102	0.226	5.7	45	20	15.92	10.42	8.61	5.43	3/4-20	19-508
AM6F-13	13	3.97	4	102	0.125	3.2	36	16	7.43	4.53	3.62	2.15	3/4-20	19-508
AM6U-13	13	3.97	4	102	0.226	5.7	46	21	14.17	9.13	7.52	4.7	3/4-20	19-508
AM6F-14	14	4.27	4	102	0.125	3.2	38	17	6.49	3.83	3	1.74	3/4-20	19-508
AM6U-14	14	4.27	4	102	0.226	5.7	48	22	12.64	8.05	6.57	4.06	3/4-20	19-508
AM6F-15	15	4.57	4	102	0.125	3.2	40	18	5.67	3.21	2.45	1.37	3/4-20	19-508
AM6U-15	15	4.57	4	102	0.226	5.7	50	23	11.32	7.08	5.73	3.5	3/4-20	19-508
AM6U-16	16	4.88	4	102	0.226	5.7	52	24	10.21	6.25	5.02	3.03	3/4-20	19-508
AM6W-16	16	4.88	4	102	0.318	8.1	74	34	14.43	9.18	7.49	4.61	3/4-20	19-508
AM6U-18	18	5.49	4	102	0.226	5.7	55	25	8.07	4.71	3.68	2.11	3/4-27	19-686
AM6W-18	18	5.49	4	102	0.318	8.1	87	39	11.65	7.17	5.75	3.48	3/4-27	19-686
AM6W-20	20	6.10	4	102	0.318	8.1	96	44	9.18	5.58	4.36	2.54	3/4-27	19-686



Specifications:

Pole: made from a one-piece, 4" round (102 mm) high-tensile carbon steel shaft sealed by a rolled and flattened vertical weld seam and welded over and in a 6 5/8" round (168 mm) high-tensile carbon-steel pole base.
 The assembly is welded to both the top and bottom of a steel anchor plate.
 A 4 1/2" by 10" (114 by 254 mm) maintenance opening is complete with cover and copper ground lug.
Joint cover: made from two pieces of cast aluminum mechanically fastened to the junction with stainless steel hardware.
Base cover: decorative base cover made from cast-aluminum pieces mechanically assembled together with stainless steel hardware around base of the pole.
Finish: See page 142 for Finish details.

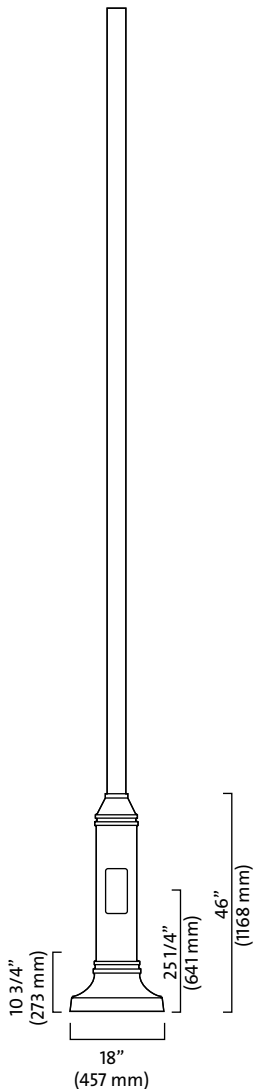
Options:

- DE:** Pole buried 5' (1524 mm) in the ground (see details on page 133)
- LS:** Provision for loudspeaker outlet (see page 132)
- PH7:** Button-type photoelectric cell (specify operating voltage)
- PH8:** Quarter-turn type photoelectric cell (specify operating voltage)
- PH9:** Shorting cap for single phase only
- DR:** Duplex receptacle (120V line voltage only)
- GFI:** DR with common ground fault interrupter (120V line voltage only)
- BA:** Banner arm (see page 136)
- PS:** Plant support (see page 137)
- MPL:** Mid-pole luminaire

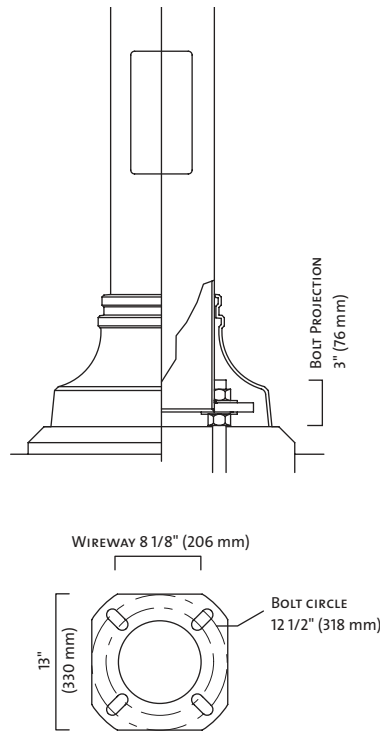
Note: The recommended method for calculating EPA (Effective Projected Area) is in accordance with AASHTO 2001 standards: for three seconds, the pole is tested in wind gusts equivalent to the strongest winds on record over the past 50 years, and with a 50 pound load (22.7 kg) placed at 1 foot (305 mm) above its center.

CATALOG NUMBER	NOMINAL HEIGHT		TENON SECTION		WALL THICKNESS		WEIGHT		EPA RATING				ANCHOR BOLTS	
	ft	m	in	mm	in	mm	lbs	kg	90 MPH	110 MPH	120 MPH	150 MPH	in	mm
SM6F-8	8	2.44	4	102	0.120	3.2	85	39	30	25.3	21.31	13.78	3/4-20	19-508
SM6N-8	8	2.44	4	102	0.188	4.8	99	45	30	30	30	20.32	3/4-20	19-508
SM6F-10	10	3.05	4	102	0.120	3.2	95	43	27.44	18.5	15.53	9.98	3/4-20	19-508
SM6N-10	10	3.05	4	102	0.188	4.8	115	52	30	27.41	23.09	14.9	3/4-20	19-508
SM6F-12	12	3.66	4	102	0.120	3.2	105	48	21.2	14.12	11.79	7.52	3/4-20	19-508
SM6N-12	12	3.66	4	102	0.188	4.8	180	59	30	21.2	17.8	11.45	3/4-20	19-508
SM6F-14	14	4.27	4	102	0.120	3.2	115	52	16.82	11.04	9.13	5.79	3/4-20	19-508
SM6N-14	14	4.27	4	102	0.188	4.8	145	66	25.22	16.86	14.08	9.01	3/4-20	19-508
SM6F-15	15	4.57	4	102	0.120	3.2	120	54	15.08	9.81	8.07	5.06	3/4-20	19-508
SM6N-15	15	4.57	4	102	0.188	4.8	153	69	22.76	15.14	12.61	8.04	3/4-20	19-508
SM6V-15	15	4.57	4	102	0.250	6.4	182	83	30	20.9	17.5	11.24	3/4-20	19-508
SM6F-16	16	4.88	4	102	0.120	3.2	125	57	13.62	8.75	7.16	4.46	3/4-20	19-508
SM6N-16	16	4.88	4	102	0.188	4.8	161	73	20.71	13.67	11.35	7.21	3/4-20	19-508
SM6V-16	16	4.88	4	102	0.250	6.4	192	87	28.34	19.01	15.89	10.18	3/4-20	19-508
SM6F-18	18	5.49	4	102	0.120	3.2	135	61	10.83	6.75	5.43	3.3	3/4-27	19-686
SM6N-18	18	5.49	4	102	0.188	4.8	176	80	16.78	10.88	8.95	5.61	3/4-27	19-686
SM6V-18	18	5.49	4	102	0.250	6.4	212	96	23.17	15.36	12.76	8.13	3/4-27	19-686
SM6F-20	20	6.10	4	102	0.120	3.2	145	66	8.64	5.14	4.03	2.37	3/4-27	19-686
SM6N-20	20	6.10	4	102	0.188	4.8	191	87	13.7	8.68	7.05	4.35	3/4-27	19-686
SM6V-20	20	6.10	4	102	0.250	6.4	232	105	19.12	12.49	10.3	6.49	3/4-27	19-686

Note: Philips Lumec reserves the right to modify the above details to reflect changes in the cost of materials and/or production and/or design without prior notice.



Base details



Comes with 4 anchor bolts,
8 nuts and 8 washers.
B.C. from: 10 3/4" to 13" (273 to 330 mm)

Specifications:

Pole: made from a one-piece, seamless 4" round (102 mm) tube of extruded aluminum welded over and in a 8 5/8" round (219 mm) extruded-aluminum pole base.

The assembly is welded to both the top and bottom of a cast aluminum anchor plate.

A 4 1/2" by 10" (114 by 254 mm) maintenance opening is complete with cover and copper ground lug.

Joint cover: made from two pieces of cast aluminum mechanically fastened to the junction with stainless steel hardware.

Base cover: decorative base cover made from cast-aluminum pieces mechanically assembled together with stainless steel hardware around base of the pole.

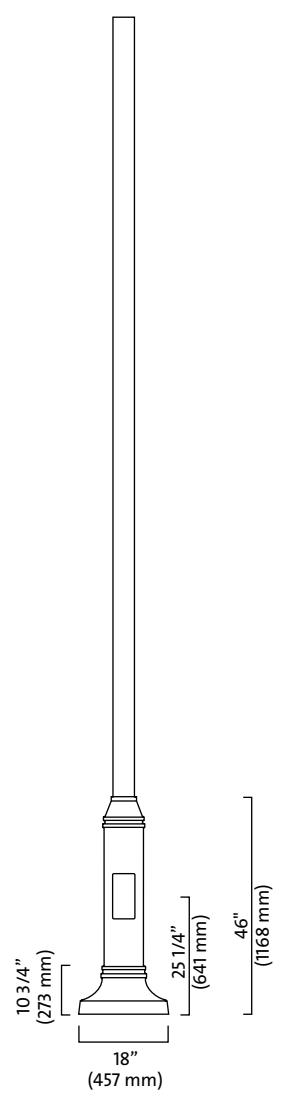
Finish: See page 142 for Finish details.

Options:

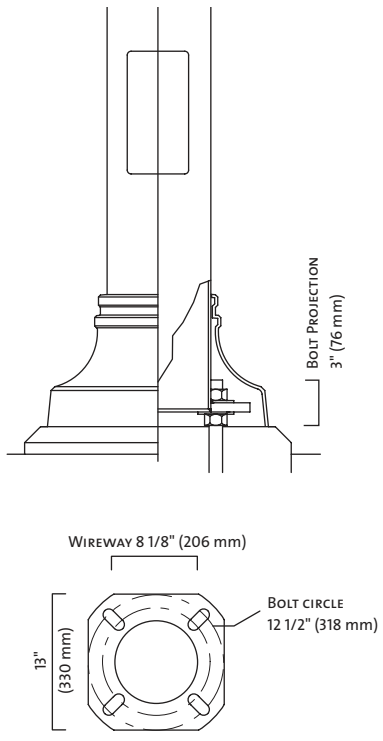
- DE:** Pole base buried 5' (1524 mm) in the ground (see page 133).
- LS:** Provision for loudspeaker outlet (see page 132)
- PH7:** Button-type photoelectric cell (specify operating voltage)
- PH8:** Quarter-turn type photoelectric cell (specify operating voltage)
- DR:** Duplex receptacle (120V line voltage. only)
- GFI:** DR with common ground fault interrupter (120V line voltage only)
- BA:** Banner arm (see page 136)
- PS:** Plant support (see page 137)
- MPL:** Mid-pole luminaire

Note: The recommended method for calculating EPA (Effective Projected Area) is in accordance with AASHTO 2001 standards: for three seconds, the pole is tested in wind gusts equivalent to the strongest winds on record over the past 50 years, and with a 50 pound load (22.7 kg) placed at 1 foot (305 mm) above its center.

CATALOG NUMBER	NOMINAL HEIGHT		TENON SECTION		WALL THICKNESS		WEIGHT		EPA RATING				ANCHOR BOLTS	
	ft	m	in	mm	in	mm	lbs	kg	90 MPH	110 MPH	120 MPH	150 MPH	in	mm
AM8F-8	8	2.44	4	102	0.125	3.2	34	15	17.09	11.53	9.67	6.2	3/4-20	19-508
AM8U-8	8	2.44	4	102	0.226	5.7	41	19	30	20.59	17.35	11.2	3/4-20	19-508
AM8F-10	10	3.05	4	102	0.125	3.2	38	17	12.26	8.04	6.67	4.2	3/4-20	19-508
AM8U-10	10	3.05	4	102	0.226	5.7	47	21	22.1	14.79	12.39	7.92	3/4-20	19-508
AM8F-12	12	3.66	4	102	0.125	3.2	42	19	9.15	5.79	4.71	2.92	3/4-20	19-508
AM8U-12	12	3.66	4	102	0.226	5.7	53	24	16.94	11.12	9.24	5.84	3/4-20	19-508
AM8F-13	13	3.97	4	102	0.125	3.2	43	20	7.95	4.92	3.97	2.39	3/4-20	19-508
AM8U-13	13	3.97	4	102	0.226	5.7	56	25	15.01	9.75	8.05	5.05	3/4-20	19-508
AM8F-14	14	4.27	4	102	0.125	3.2	45	20	6.96	4.17	3.3	1.96	3/4-20	19-508
AM8U-14	14	4.27	4	102	0.226	5.7	60	27	13.37	8.58	7.02	4.38	3/4-20	19-508
AM8F-15	15	4.57	4	102	0.125	3.2	47	21	6.08	3.5	2.72	1.57	3/4-20	19-508
AM8U-15	15	4.57	4	102	0.226	5.7	63	29	11.96	7.54	6.14	3.77	3/4-20	19-508
AM8F-16	16	4.88	4	102	0.125	3.2	49	22	5.32	2.94	2.21	1.22	3/4-20	19-508
AM8U-16	16	4.88	4	102	0.226	5.7	66	30	10.77	6.68	5.38	3.27	3/4-20	19-508
AM8W-16	16	4.88	4	102	0.318	8.1	103	47	15.16	9.69	7.93	4.93	3/4-20	19-508
AM8U-18	18	5.49	4	102	0.226	5.7	72	33	8.5	5.02	3.95	2.31	3/4-27	19-686
AM8W-18	18	5.49	4	102	0.318	8.1	111	50	12.21	7.58	6.12	3.71	3/4-27	19-686
AM8U-20	20	6.10	4	102	0.226	5.7	79	36	6.7	3.71	2.8	1.53	3/4-27	19-686
AM8W-20	20	6.10	4	102	0.318	8.1	120	54	9.85	5.9	4.67	2.74	3/4-27	19-686



Base details



Comes with 4 anchor bolts, 8 nuts and 8 washers.
B.C. from: 11" to 13" (279 to 330 mm)

Specifications:

Pole: made from a one-piece, 4" round (102 mm) high-tensile carbon steel shaft sealed by a rolled and flattened vertical weld seam and welded over and in a 8 5/8" round (219 mm) high-tensile carbon-steel pole base.
The assembly is welded to both the top and bottom of a steel anchor plate.
A 4 1/2" by 10" (114 by 254 mm) maintenance opening is complete with cover and copper ground lug.
Joint cover: made from two pieces of cast aluminum mechanically fastened to the junction with stainless steel hardware.
Base cover: decorative base cover made from cast-aluminum pieces mechanically assembled together with stainless steel hardware around base of the pole.
Finish: See page 142 for Finish details.

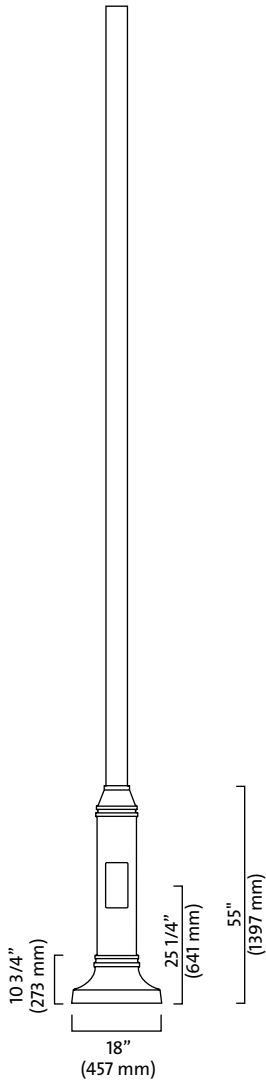
Options:

- DE:** Pole buried 5' (1524 mm) in the ground (see page 133)
- LS:** Provision for loudspeaker outlet (see page 132)
- PH7:** Button-type photoelectric cell (specify operating voltage)
- PH8:** Quarter-turn type photoelectric cell (specify operating voltage)
- DR:** Duplex receptacle (120V line voltage only)
- GFI:** DR with common ground fault interrupter (120V line voltage only)
- BA:** Banner arm (see page 136)
- PS:** Plant support (see page 137)
- MPL:** Mid-pole luminaire

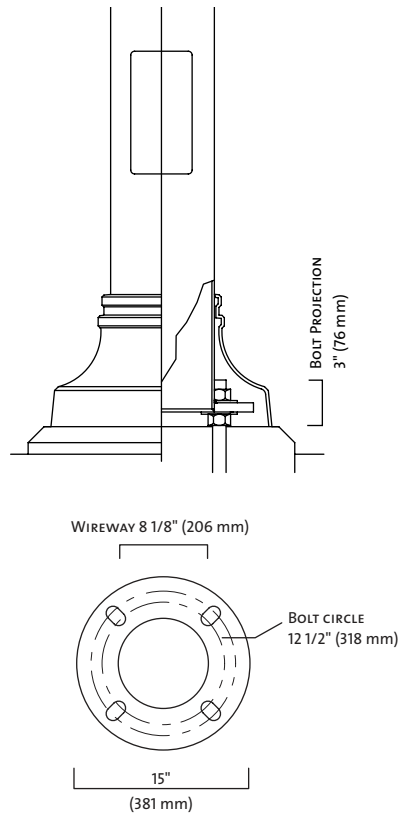
Note: The recommended method for calculating EPA (Effective Projected Area) is in accordance with AASHTO 2001 standards: for three seconds, the pole is tested in wind gusts equivalent to the strongest winds on record over the past 50 years, and with a 50 pound load (22.7 kg) placed at 1 foot (305 mm) above its center.

CATALOG NUMBER	NOMINAL HEIGHT		TENON SECTION		WALL THICKNESS		WEIGHT		EPA RATING				ANCHOR BOLTS	
	ft	m	in	mm	in	mm	lbs	kg	90 MPH	110 MPH	120 MPH	150 MPH	in	mm
SM8F-8	8	2.44	4	102	0.120	3.2	117	53	30	27.6	23.31	15.08	3/4-20	19-508
SM8N-8	8	2.44	4	102	0.180	4.8	129	58	30	30	30	22.17	3/4-20	19-508
SM8F-10	10	3.05	4	102	0.120	3.2	127	57	29.46	19.91	16.74	10.77	3/4-20	19-508
SM8N-10	10	3.05	4	102	0.180	4.8	145	65	30	29.42	24.8	16.02	3/4-20	19-508
SM8F-12	12	3.66	4	102	0.120	3.2	137	62	22.52	15.06	12.58	8.07	3/4-20	19-508
SM8N-12	12	3.66	4	102	0.180	4.8	160	72	30	22.52	18.93	12.17	3/4-20	19-508
SM8F-14	14	4.27	4	102	0.120	3.2	146	66	17.8	11.72	9.73	6.16	3/4-20	19-508
SM8N-14	14	4.27	4	102	0.180	4.8	175	79	26.59	17.82	14.9	9.54	3/4-20	19-508
SM8F-15	15	4.57	4	102	0.120	3.2	151	68	15.92	10.39	8.6	5.41	3/4-20	19-508
SM8N-15	15	4.57	4	102	0.180	4.8	183	83	23.95	15.96	13.32	8.51	3/4-20	19-508
SM8V-15	15	4.57	4	102	0.250	6.4	210	95	30	21.98	18.44	11.86	3/4-20	19-508
SM8F-16	16	4.88	4	102	0.120	3.2	156	70	14.36	9.28	7.62	4.77	3/4-20	19-508
SM8N-16	16	4.88	4	102	0.180	4.8	191	86	21.75	14.41	12	7.63	3/4-20	19-508
SM8V-16	16	4.88	4	102	0.250	6.4	220	100	29.72	19.97	16.71	10.73	3/4-20	19-508
SM8F-18	18	5.49	4	102	0.120	3.2	166	75	11.41	7.17	5.79	3.56	3/4-27	19-686
SM8N-18	18	5.49	4	102	0.180	4.8	206	93	17.56	11.47	9.46	5.96	3/4-27	19-686
SM8V-18	18	5.49	4	102	0.250	6.4	240	109	24.22	16.1	13.4	8.54	3/4-27	19-686
SM8F-20	20	6.10	4	102	0.120	3.2	177	80	9.1	5.49	4.32	2.56	3/4-27	19-686
SM8N-20	20	6.10	4	102	0.180	4.8	221	100	14.34	9.14	7.45	4.61	3/4-27	19-686
SM8V-20	20	6.10	4	102	0.250	6.4	260	118	19.97	13.09	10.83	6.84	3/4-27	19-686

Note: Philips Lumec reserves the right to modify the above details to reflect changes in the cost of materials and/or production and/or design without prior notice.



Base details



Comes with 4 anchor bolts,
8 nuts and 8 washers.
B.C. from: 11 1/2" to 13" (292 to 330 mm)

Specifications:

Pole: made from a one-piece, seamless 5 9/16" round (141 mm) tube of extruded aluminum welded over and in a 8 5/8" round (219 mm) extruded-aluminum pole base.

The assembly is welded to both the top and bottom of a cast aluminum anchor plate.

A 4 1/2" by 10" (114 by 254 mm) maintenance opening is complete with cover and copper ground lug.

Joint cover: made from two pieces of cast aluminum mechanically fastened to the junction with stainless steel hardware.

Base cover: decorative base cover made from cast-aluminum pieces mechanically assembled together with stainless steel hardware around base of the pole.

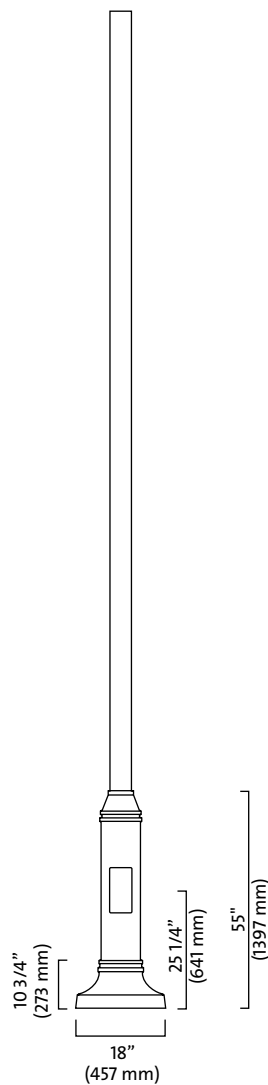
Finish: See page 142 for Finish details.

Options:

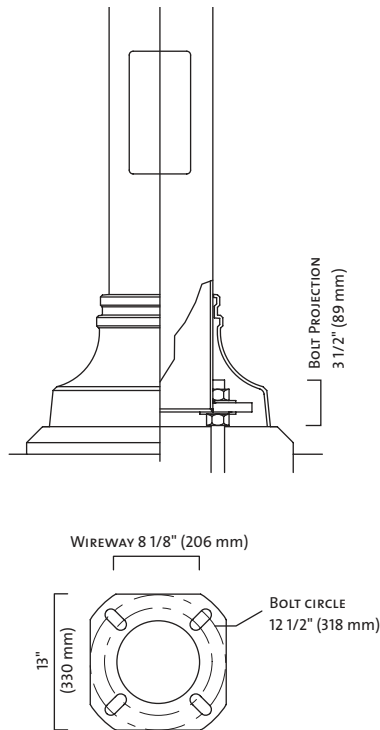
- DE:** Pole base buried 5' (1524 mm) in the ground (see page 133).
- LS:** Provision for loudspeaker outlet (see page 132)
- PH7:** Button-type photoelectric cell (specify operating voltage)
- PH8:** Quarter-turn type photoelectric cell (specify operating voltage)
- DR:** Duplex receptacle (120V line voltage only)
- GFI:** DR with common ground fault interrupter (120V line voltage only)
- BA:** Banner arm (see page 136)
- PS:** Plant support (see page 137)
- MPL:** Mid-pole luminaire

Note: The recommended method for calculating EPA (Effective Projected Area) is in accordance with AASHTO 2001 standards: for three seconds, the pole is tested in wind gusts equivalent to the strongest winds on record over the past 50 years, and with a 50 pound load (22.7 kg) placed at 1 foot (305 mm) above its center.

CATALOG NUMBER	NOMINAL HEIGHT		TENON SECTION		WALL THICKNESS		WEIGHT		EPA RATING				ANCHOR BOLTS	
	ft	m	in	mm	in	mm	lbs	kg	90 MPH	110 MPH	120 MPH	150 MPH	in	mm
SAM8V-12	12	3.66	5 9/16	141	0.258	6.5	64	29	30	28.46	23.89	15.14	1-36	25-914
SAM8V-13	13	3.97	5 9/16	141	0.258	6.5	69	31	30	26.14	21.9	13.84	1-36	25-914
SAM8V-14	14	4.27	5 9/16	141	0.258	6.5	74	34	30	23.95	20.17	12.7	1-36	25-914
SAM8V-15	15	4.57	5 9/16	141	0.258	6.5	79	36	30	21.56	18.15	11.59	1-36	25-914
SAM8V-16	16	4.88	5 9/16	141	0.258	6.5	84	38	29.06	19.61	16.48	10.47	1-36	25-914
SAM8V-18	18	5.49	5 9/16	141	0.258	6.5	94	43	23.66	15.86	13.3	8.4	1-36	25-914
SAM8V-20	20	6.10	5 9/16	141	0.258	6.5	104	47	19.5	12.99	10.86	6.78	1-36	25-914
SAM8V-22	22	6.71	5 9/16	141	0.258	6.5	115	52	16.19	10.71	8.91	5.49	1-36	25-914
SAM8V-23	23	7.01	5 9/16	141	0.258	6.5	120	54	14.78	9.71	8.07	4.94	1-36	25-914



Base details



Comes with 4 anchor bolts,
8 nuts and 8 washers.
B.C. from: 11" to 13" (289 to 330 mm)

Specifications:

Pole: made from a one-piece, seamless 5 9/16" round (141 mm) high-tensile carbon steel shaft sealed by a rolled and flattened vertical weld seam and welded over and in a 8 5/8" round (219 mm) high-tensile carbon-steel pole base.

The assembly is welded to both the top and bottom of a steel anchor plate.

A 4 1/2" by 10" (114 by 254 mm) maintenance opening is complete with cover and copper ground lug.

Joint cover: made from two pieces of cast aluminum mechanically fastened to the junction with stainless steel hardware.

Base cover: decorative base cover made from cast-aluminum pieces mechanically assembled together with stainless steel hardware around base of the pole.

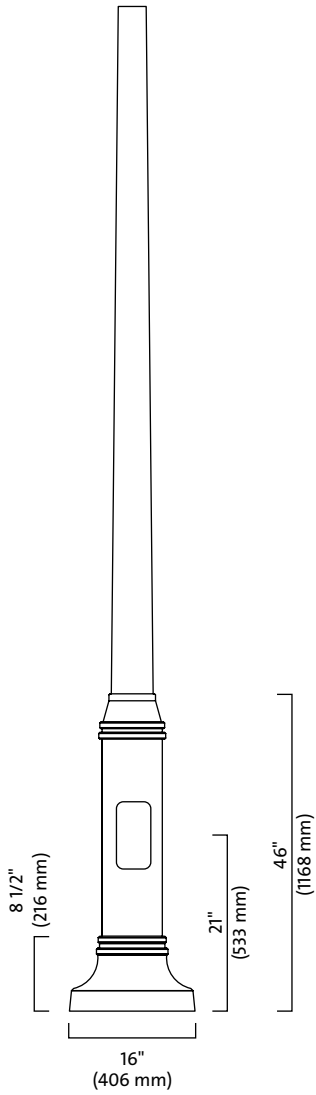
Finish: See page 142 for Finish details.

Options:

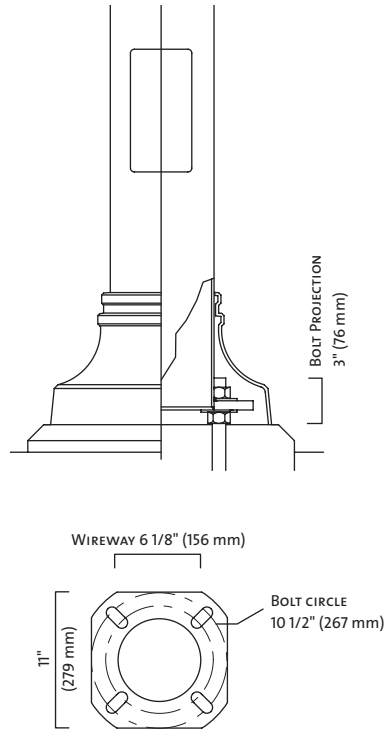
- DE:** Pole buried 5' (1524 mm) in the ground (see page 133)
- LS:** Provision for loudspeaker outlet (see page 132)
- PH7:** Button-type photoelectric cell (specify operating voltage)
- PH8:** Quarter-turn type photoelectric cell (specify operating voltage)
- DR:** Duplex receptacle (120V line voltage only)
- GFI:** DR with common ground fault interrupter (120V line voltage only)
- BA:** Banner arm (see page 136)
- PS:** Plant support (see page 137)
- MPL:** Mid-pole luminaire

Note: The recommended method for calculating EPA (Effective Projected Area) is in accordance with AASHTO 2001 standards: for three seconds, the pole is tested in wind gusts equivalent to the strongest winds on record over the past 50 years, and with a 50 pound load (22.7 kg) placed at 1 foot (305 mm) above its center.

CATALOG NUMBER	NOMINAL HEIGHT		TENON SECTION		WALL THICKNESS		WEIGHT		EPA RATING				ANCHOR BOLTS	
	ft	m	in	mm	in	mm	lbs	kg	90 MPH	110 MPH	120 MPH	150 MPH	in	mm
SSM8V-18	18	5.49	5 9/16	141	0.250	6.4	258	117	30	30	30	21.2	1-36	25-914
SSM8V-20	20	6.10	5 9/16	141	0.250	6.4	287	130	30	30	27.43	17.66	1-36	25-914
SSM8V-22	22	6.71	5 9/16	141	0.250	6.4	315	143	30	27.47	23.19	14.88	1-36	25-914
SSM8V-24	24	7.32	5 9/16	141	0.250	6.4	344	156	30	23.4	19.73	12.62	1-36	25-914
SSM8V-26	26	7.93	5 9/16	141	0.250	6.4	372	156	29.46	20.04	16.88	10.73	1-36	25-914
SSM8V-28	28	8.54	5 9/16	141	0.250	6.4	400	182	25.36	17.19	14.44	9.13	1-36	25-914



Base details



Comes with 4 anchor bolts,
8 nuts and 8 washers.
B.C. from: 8 3/4" to 11" (222 to 279 mm)

Specifications:

Pole: made from tapered 5" to 4" (127 to 102mm) round aluminum shaft welded over and in a 6 5/8" round (168mm) extruded-aluminum pole base which is welded top and bottom to a cast-aluminum anchor plate. After tapering and welding, the entire shaft assembly is heat-treated to T6 temper.

A 4 1/2" by 10" (114 by 254 mm) maintenance opening is complete with cover and copper ground lug.

Joint cover: made from two pieces of cast aluminum mechanically fastened to the junction with stainless steel hardware.

Base cover: decorative base cover made from cast-aluminum pieces mechanically assembled together with stainless steel hardware around base of the pole.

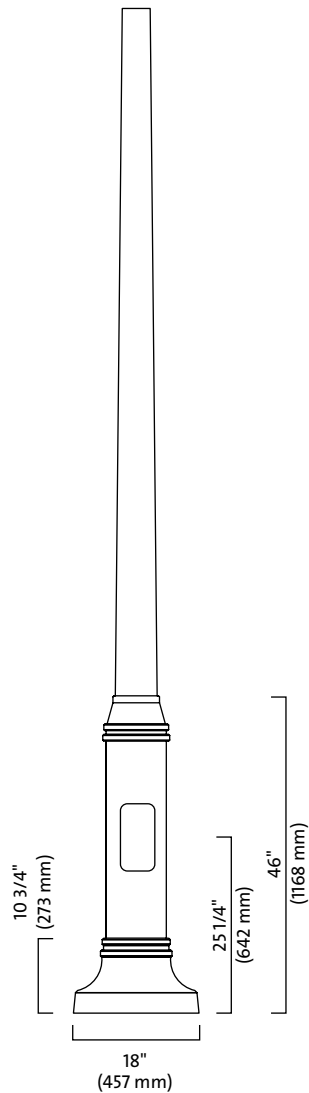
Finish: See page 142 for Finish details.

Options:

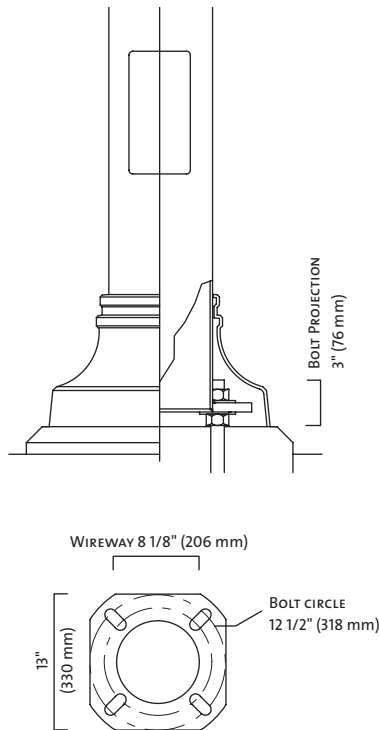
- LS:** Provision for loudspeaker outlet (see page 132)
- PH7:** Button-type photoelectric cell (specify operating voltage)
- DR:** Duplex receptacle (120V line voltage only)
- GFI:** DR with common ground fault interrupter (120V line voltage only)
- BA:** Banner arm (see page 136)
- PS:** Plant support (see page 137)
- MPL:** Mid-pole luminaire

Note: The recommended method for calculating EPA (Effective Projected Area) is in accordance with AASHTO 2001 standards: for three seconds, the pole is tested in wind gusts equivalent to the strongest winds on record over the past 50 years, and with a 50 pound load (22.7 kg) placed at 1 foot (305 mm) above its center.

CATALOG NUMBER	NOMINAL HEIGHT		TENON SECTION		WALL THICKNESS		WEIGHT		EPA RATING				ANCHOR BOLTS	
	ft	m	in	mm	in	mm	lbs	kg	90 MPH	110 MPH	120 MPH	150 MPH	in	mm
AMT6F-8	8	2.44	4	102	0.125	3.2	29	13	29.6	23.5	20.2	15.8	3/4 x 20	19-508
AMT6V-8	8	2.44	4	102	0.250	6.4	45	20	30	23.99	20.2	12.89	3/4 x 20	19-508
AMT6F-10	10	3.05	4	102	0.125	3.2	34	15	19.36	12.93	10.88	6.96	3/4 x 20	19-508
AMT6V-10	10	3.06	4	102	0.250	6.4	52	24	28.9	19.12	16.04	10.16	3/4 x 20	19-508
AMT6F-12	12	3.66	4	102	0.125	3.2	37	17	15.01	9.85	8.25	5.2	3/4 x 20	19-508
AMT6V-12	12	3.66	4	102	0.250	6.4	60	27	23.89	15.59	13.03	8.19	3/4 x 20	19-508
AMT6F-14	14	4.27	4	102	0.125	3.2	41	19	11.88	7.6	6.35	3.94	3/4 x 20	19-508
AMT6V-14	14	4.27	4	102	0.250	6.4	68	31	20.08	12.88	10.71	6.64	3/4 x 20	19-508
AMT6F-16	16	4.88	4	102	0.125	3.2	46	21	9.54	5.92	4.91	2.97	3/4 x 20	19-508
AMT6V-16	16	4.88	4	102	0.250	6.4	77	35	17.09	10.74	8.89	5.43	3/4 x 20	19-508
AMT6F-18	18	5.49	4	102	0.125	3.2	50	23	7.46	4.42	3.59	2.07	3/4 x 27	19-686
AMT6V-18	18	5.49	4	102	0.250	6.4	87	39	14.26	8.74	7.16	4.28	3/4 x 27	19-686
AMT6F-20	20	6.10	4	102	0.125	3.2	55	25	5.8	3.19	2.5	1.33	3/4 x 27	19-686
AMT6V-20	20	6.10	4	102	0.250	6.4	96	44	11.94	7.05	5.71	3.33	3/4 x 27	19-686



Base details



Comes with 4 anchor bolts,
8 nuts and 8 washers.
B.C. from: 10 3/4" to 13" (273 to 330 mm)

Specifications:

Pole: made from tapered 6" to 4" (152 to 102mm) round aluminum shaft welded over and in a 8 5/8" round (219mm) extruded-aluminum pole base which is welded top and bottom to a cast-aluminum anchor plate. After tapering and welding, the entire shaft assembly is heat-treated to T6 temper.

A 4 1/2" by 10" (114 by 254 mm) maintenance opening is complete with cover and copper ground lug.

Joint cover: made from two pieces of cast aluminum mechanically fastened to the junction with stainless steel hardware.

Base cover: made from two pieces of cast aluminum mechanically fastened to the base with stainless steel hardware.

Finish: See page 142 for Finish details.

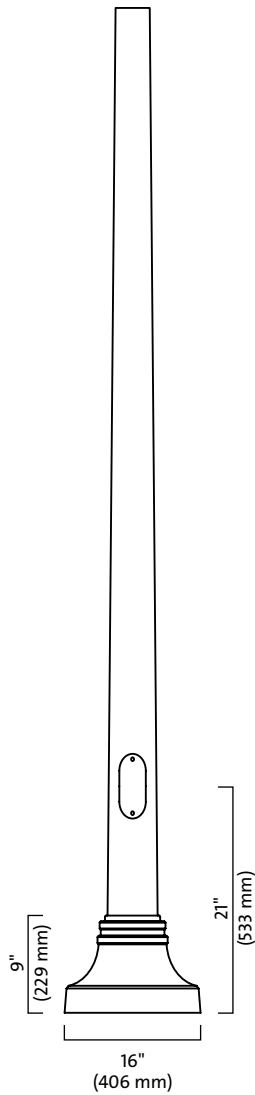
Options:

- LS:** Provision for loudspeaker outlet (see page 132)
- PH7:** Button-type photoelectric cell (specify operating voltage)
- DR:** Duplex receptacle (120V line voltage, only)
- GFI:** DR with common ground fault interrupter (120V line voltage only)
- BA:** Banner arm (see page 136)
- PS:** Plant support (see page 137)
- MPL:** Mid-pole luminaire

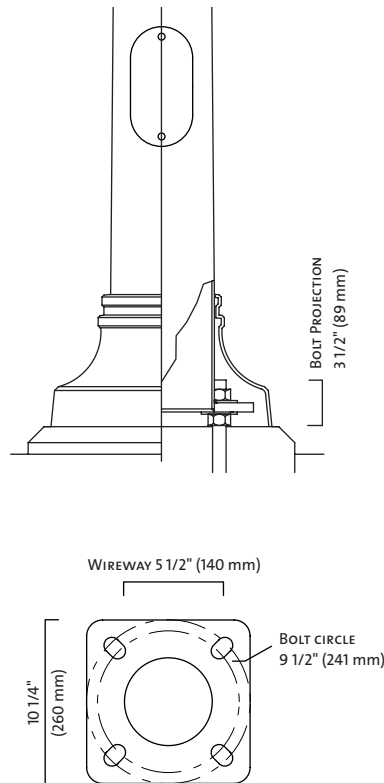
Note: The recommended method for calculating EPA (Effective Projected Area) is in accordance with AASHTO 2001 standards: for three seconds, the pole is tested in wind gusts equivalent to the strongest winds on record over the past 50 years, and with a 50 pound load (22.7 kg) placed at 1 foot (305 mm) above its center.

CATALOG NUMBER	NOMINAL HEIGHT		TENON SECTION		WALL THICKNESS		WEIGHT		EPA RATING				ANCHOR BOLTS	
	ft	m	in	mm	in	mm	lbs	kg	90 MPH	110 MPH	120 MPH	150 MPH	in	mm
AMT8F-8	8	2.44	4	102	0.125	3.2	34	15	30	27.15	22.95	14.85	3/4 x 20	19-508
AMT8V-8	8	2.44	4	102	0.250	6.4	53	24	30	30	30	24.24	3/4 x 20	19-508
AMT8F-10	10	3.05	4	102	0.125	3.2	39	18	29.9	20.32	17.15	11.03	3/4 x 20	19-508
AMT8V-10	10	3.05	4	102	0.250	6.4	62	28	30	30	30	19.56	3/4 x 20	19-508
AMT8F-12	12	3.66	4	102	0.125	3.2	43	20	23.4	15.81	13.29	8.5	3/4 x 20	19-508
AMT8V-12	12	3.66	4	102	0.250	6.4	71	32	30	30	25.45	16.16	3/4 x 20	19-508
AMT8F-14	14	4.27	4	102	0.125	3.2	48	22	18.77	12.58	10.56	6.69	3/4 x 20	19-508
AMT8V-14	14	4.27	4	102	0.250	6.4	79	36	30	25.73	21.55	13.62	3/4 x 20	19-508
AMT8F-16	16	4.88	4	102	0.125	3.2	52	24	15.36	10.18	8.54	5.35	3/4 x 20	19-508
AMT8V-16	16	4.88	4	102	0.250	6.4	81	39	30	22.21	18.56	11.65	3/4 x 20	19-508
AMT8F-18	18	5.49	4	102	0.125	3.2	57	26	12.35	8.05	6.67	4.11	3/4 x 27	19-686
AMT8V-18	18	5.49	4	102	0.250	6.4	95	43	27.25	18.3	15.37	9.71	3/4 x 27	19-686
AMT8F-20	20	6.10	4	102	0.125	3.2	61	28	9.97	6.31	5.2	3.11	3/4 x 27	19-686
AMT8V-20	20	6.10	4	102	0.250	6.4	106	48	22.84	15.16	12.7	8.01	3/4 x 27	19-686

Note: Philips Lumec reserves the right to modify the above details to reflect changes in the cost of materials and/or production and/or design without prior notice.



Base details



Comes with 4 anchor bolts,
8 nuts and 8 washers.
B.C. from: 9" to 10" (229 to 254 mm)

Specifications:

Pole: made from tapered 6" to 4" (152 by 102 mm) round aluminum shaft welded top and bottom to a cast-aluminum anchor plate. After tapering and welding, the entire shaft assembly is heat-treated to T6 temper.

A 3" by 5" (76 by 127 mm) maintenance opening is complete with cover and copper ground lug.

Base cover: decorative base cover made from cast-aluminum pieces mechanically assembled together with stainless steel hardware around base of the pole.

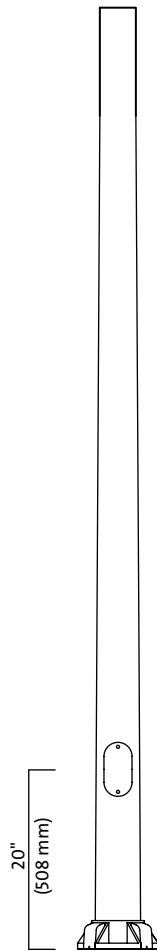
Finish: See page 142 for Finish details.

Options:

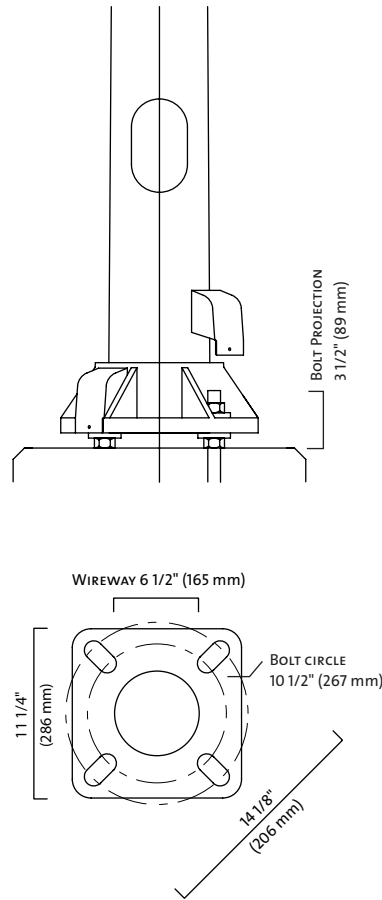
- LS:** Provision for loudspeaker outlet (see page 132)
- PH7:** Button-type photoelectric cell (specify operating voltage)
- DR:** Duplex receptacle (120V line voltage. only)
- GFI:** DR with common ground fault interrupter (120V line voltage only)
- BA:** Banner arm (see page 136)
- PS:** Plant support (see page 137)
- MPL:** Mid-pole luminaire

Note: The recommended method for calculating EPA (Effective Projected Area) is in accordance with AASHTO 2001 standards: for three seconds, the pole is tested in wind gusts equivalent to the strongest winds on record over the past 50 years, and with a 50 pound load (22.7 kg) placed at 1 foot (305 mm) above its center.

CATALOG NUMBER	NOMINAL HEIGHT		TENON SECTION		WALL THICKNESS		WEIGHT		EPA RATING				ANCHOR BOLTS	
	ft	m	in	mm	in	mm	lbs	kg	90 MPH	110 MPH	120 MPH	150 MPH	in	mm
TM6F-8	8	3.05	4	102	0.125	3.2	28	13	25.56	17.3	14.58	9.34	1-36	25-914
TM6N-8	8	3.05	4	102	0.188	4.8	38	17	30	25.98	21.93	14.11	1-36	25-914
TM6F-10	10	3.05	4	102	0.125	3.2	33	15	20.34	13.67	11.49	7.31	1-36	25-914
TM6N-10	10	3.05	4	102	0.188	4.8	46	21	30	20.79	17.53	11.24	1-36	25-914
TM6F-12	12	3.66	4	102	0.125	3.2	39	18	16.49	11	9.21	5.79	1-36	25-914
TM6N-12	12	3.66	4	102	0.188	4.8	54	24	25.28	17.01	14.32	9.13	1-36	25-914
TM6F-14	14	4.27	4	102	0.125	3.2	44	20	13.52	8.91	7.43	4.61	1-36	25-914
TM6V-14	14	4.27	4	102	0.25	6.4	80	36	29.49	19.91	16.74	10.69	1-36	25-914
TM6F-16	16	4.88	4	102	0.125	3.2	49	22	11.19	7.25	6.02	3.68	1-36	25-914
TM6V-16	16	4.88	4	102	0.250	6.4	91	41	25.24	16.96	14.24	9.03	1-36	25-914
TM6F-18	18	5.49	4	102	0.125	3.2	55	25	9.01	5.69	4.65	2.74	1-36	25-914
TM6V-18	18	5.49	4	102	0.250	6.4	102	46	21.21	14.11	11.8	7.43	1-36	25-914
TM6F-20	20	6.1	4	102	0.125	3.2	60	27	7.23	4.35	3.5	1.98	1-36	25-914
TM6V-20	20	6.1	4	102	0.250	6.4	112	51	17.95	11.76	9.8	6.08	1-36	25-914



Base details



Comes with 4 anchor bolts,
8 nuts and 8 washers.
B.C. from: 10" to 11" (254 to 279 mm)

Specifications:

Pole: made from tapered 7" to 4" (178 by 102 mm) round aluminum shaft welded top and bottom to a cast-aluminum anchor plate. After tapering and welding, the entire shaft assembly is heat-treated to T6 temper.

A 4" by 7" (102 by 178 mm) maintenance opening is complete with cover and copper ground lug

Bolt Cover: Made of cast aluminum, mechanically fastened to the anchor plate with stainless steel hardware.

Finish: See page 142 for Finish details.

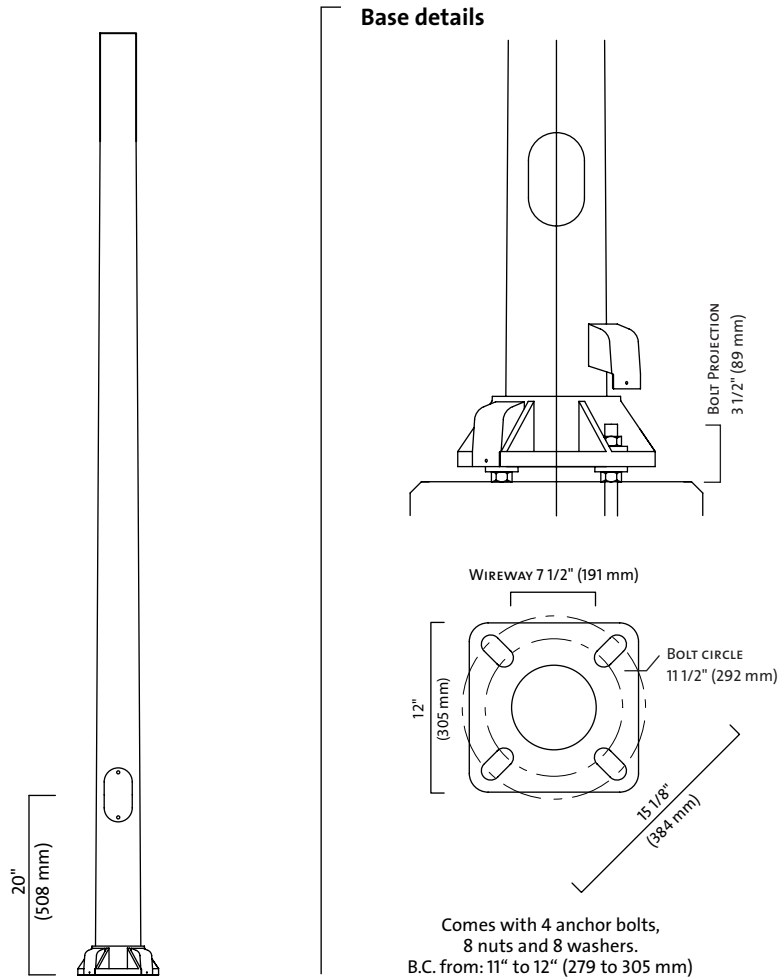
Options:

- LS:** Provision for loudspeaker outlet (see page 132)
- PH7:** Button-type photoelectric cell (specify operating voltage)
- DR:** Duplex receptacle (120V line voltage only)
- GFI:** DR with common ground fault interrupter (120V line voltage only)
- BA:** Banner arm (see page 136)
- PS:** Plant support (see page 137)
- MPL:** Mid-pole luminaire

Note: The recommended method for calculating EPA (Effective Projected Area) is in accordance with AASHTO 2001 standards: for three seconds, the pole is tested in wind gusts equivalent to the strongest winds on record over the past 50 years, and with a 50 pound load (22.7 kg) placed at 1 foot (305 mm) above its center.
Important: Do not obstruct space between anchor plate and concrete base.

CATALOG NUMBER	NOMINAL HEIGHT		TENON SECTION		WALL THICKNESS		WEIGHT	EPA RATING				ANCHOR BOLTS		
	ft	m	in	mm	in	mm		90 MPH	110 MPH	120 MPH	150 MPH	in	mm	
ATR74B	20	6.1			0.156	4.0	70	32	14.85	9.63	8.01	4.93	1-36	25-914
ATR74N	20	6.1			0.188	4.8	82	37	18.3	12.03	10.06	6.25	1-36	25-914
ATR74B	21	6.4			0.156	4.0	74	34	13.64	8.75	7.25	4.42	1-36	25-914
ATR74N	21	6.4			0.188	4.8	86	39	16.9	11	9.18	5.67	1-36	25-914
ATR74B	22	6.7			0.156	4.0	77	35	12.52	7.93	6.55	3.95	1-36	25-914
ATR74N	22	6.7			0.188	4.8	89	40	15.61	10.06	8.36	5.14	1-36	25-914
ATR74B	23	7.0			0.156	4.0	80	36	11.49	7.19	5.9	3.52	1-36	25-914
ATR74N	23	7.0			0.188	4.8	93	42	14.4	9.21	7.64	4.65	1-36	25-914
ATR74B	24	7.3			0.156	4.0	83	38	10.53	6.49	5.32	3.12	1-36	25-914
ATR74N	24	7.3			0.188	4.8	97	44	13.31	8.42	6.96	4.18	1-36	25-914
ATR74B	25	7.6			0.156	4.0	86	39	9.65	5.84	4.77	2.74	1-36	25-914
ATR74N	25	7.6			0.188	4.8	100	45	12.29	7.68	6.31	3.75	1-36	25-914

Note: Philips Lumec reserves the right to modify the above details to reflect changes in the cost of materials and/or production and/or design without prior notice.



Specifications:

Pole: made from tapered 8” to 5” (203 by 127 mm) round aluminum shaft welded top and bottom to a cast-aluminum anchor plate. After tapering and welding, the entire shaft assembly is heat-treated to T6 temper.

A 4” by 8” (102 by 203 mm) maintenance opening is complete with cover and copper ground lug.

Bolt Cover: Made of cast aluminum, mechanically fastened to the anchor plate with stainless steel hardware.

Finish: See page 142 for Finish details.

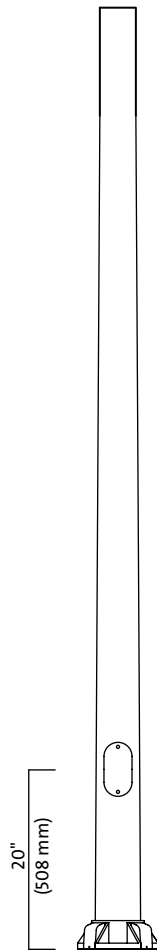
Options:

- LS:** Provision for loudspeaker outlet (see page 132)
- PH7:** Button-type photoelectric cell (specify operating voltage)
- DR:** Duplex receptacle (120V line voltage only)
- GFI:** DR with common ground fault interrupter (120V line voltage only)
- BA:** Banner arm (see page 136)
- PS:** Plant support (see page 137)
- MPL:** Mid-pole luminaire

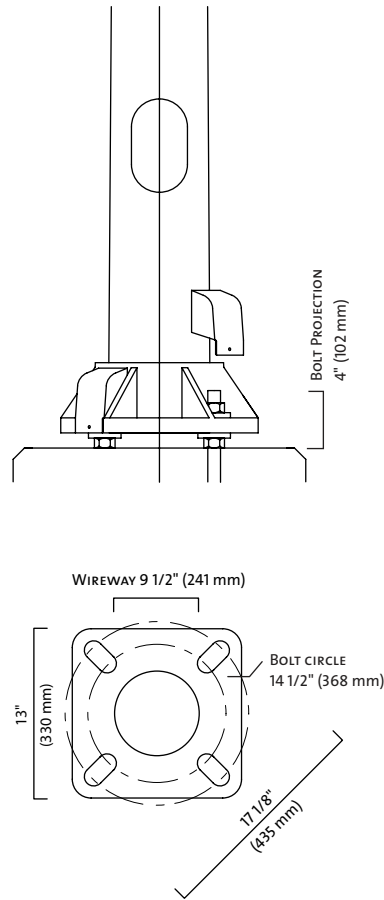
Note: The recommended method for calculating EPA (Effective Projected Area) is in accordance with AASHTO 2001 standards: for three seconds, the pole is tested in wind gusts equivalent to the strongest winds on record over the past 50 years, and with a 50 pound load (22.7 kg) placed at 1 foot (305 mm) above its center.

Important: Do not obstruct space between anchor plate and concrete base.

CATALOG NUMBER	NOMINAL HEIGHT		TENON SECTION		WALL THICKNESS		WEIGHT	EPA RATING				ANCHOR BOLTS	
	ft	m	in	mm	in	mm		90 MPH	110 MPH	120 MPH	150 MPH	in	mm
ATR85B	25	7.6			0.156	4.0	100 45	14.05	9.18	7.6	4.42	1-36	25-914
ATR85N	25	7.6			0.188	4.8	117 53	17.6	11.65	9.69	5.79	1-36	25-914
ATR85V	25	7.6			0.250	6.4	152 69	25.65	17.21	14.4	8.87	1-36	25-914
ATR85B	26	7.9			0.156	4.0	104 47	12.99	8.44	6.96	3.99	1-36	25-914
ATR85N	26	7.9			0.188	4.8	122 55	16.37	10.77	8.95	5.28	1-36	25-914
ATR85V	26	7.9			0.250	6.4	157 71	24.05	16.1	13.46	8.23	1-36	25-914
ATR85B	27	8.2			0.156	4.0	107 49	11.98	7.74	6.35	3.58	1-36	25-914
ATR85N	27	8.2			0.188	4.8	126 57	15.22	9.97	8.25	4.82	1-36	25-914
ATR85V	27	8.2			0.250	6.4	153 70	22.54	15.04	12.56	7.63	1-36	25-914
ATR85B	28	8.5			0.156	4.0	111 50	11.04	7.08	5.79	3.21	1-36	25-914
ATR85N	28	8.5			0.188	4.8	130 59	14.12	9.21	7.6	4.38	1-36	25-914
ATR85V	28	8.5			0.250	6.4	168 76	21.14	14.05	11.7	7.08	1-36	25-914
ATR85B	29	8.8			0.156	4.0	114 52	10.15	6.46	5.26	2.83	1-36	25-914
ATR85N	29	8.8			0.188	4.8	134 61	13.11	8.5	6.99	3.97	1-36	25-914
ATR85V	29	8.8			0.250	3.4	174 79	19.79	13.14	10.94	6.55	1-36	25-914
ATR85N	30	9.1			0.188	4.8	139 63	12.15	7.84	6.41	3.59	1-36	25-914
ATR85V	30	9.1			0.250	6.4	170 77	18.56	12.29	10.18	6.06	1-36	25-914
ATR85N	31	9.4			0.188	4.8	143 65	11.26	7.19	5.87	3.21	1-36	25-914
ATR85V	31	9.4			0.250	6.4	185 84	17.41	11.47	9.5	5.59	1-36	25-914
ATR85N	32	9.8			0.188	4.8	147 67	10.42	6.61	5.35	2.87	1-36	25-914
ATR85V	32	9.8			0.250	6.4	191 87	16.33	10.71	8.83	5.14	1-36	25-914
ATR85N	33	10.1			0.188	4.8	152 69	9.61	6.02	4.87	2.54	1-36	25-914
ATR85V	33	10.1			0.250	6.4	197 90	15.3	9.97	8.23	4.73	1-36	25-914
ATR85N	34	10.4			0.188	4.8	156 71	8.87	5.49	4.38	2.21	1-36	25-914
ATR85V	34	10.4			0.250	6.4	202 92	14.34	9.28	7.63	4.34	1-36	25-914



Base details



Comes with 4 anchor bolts,
8 nuts and 8 washers.
B.C. from: 13" to 15" (330 to 381 mm)

Specifications:

Pole: made from tapered 10" to 6" (254 by 152 mm) round aluminum shaft welded top and bottom to a cast-aluminum anchor plate. After tapering and welding, the entire shaft assembly is heat-treated to T6 temper.

A 4" by 8" (102 by 203 mm) maintenance opening is complete with cover and copper ground lug.

Bolt Cover: Made of cast aluminum, mechanically fastened to the anchor plate with stainless steel hardware.

Finish: See page 142 for Finish details.

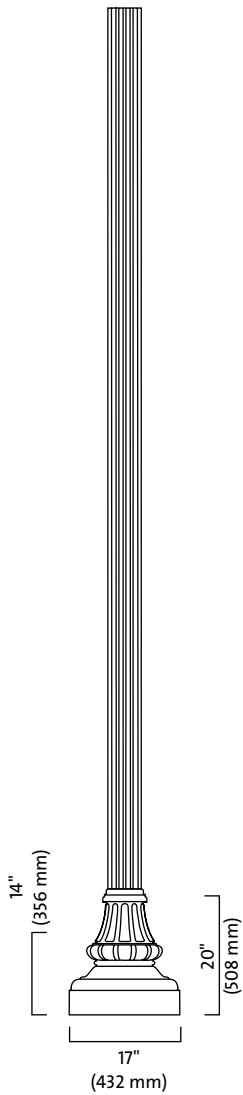
Options:

- LS:** Provision for loudspeaker outlet (see page 132)
- PH7:** Button-type photoelectric cell (specify operating voltage)
- DR:** Duplex receptacle (120V line voltage only)
- GFI:** DR with common ground fault interrupter (120V line voltage only)
- BA:** Banner arm (see page 136)
- PS:** Plant support (see page 137)
- MPL:** Mid-pole luminaire

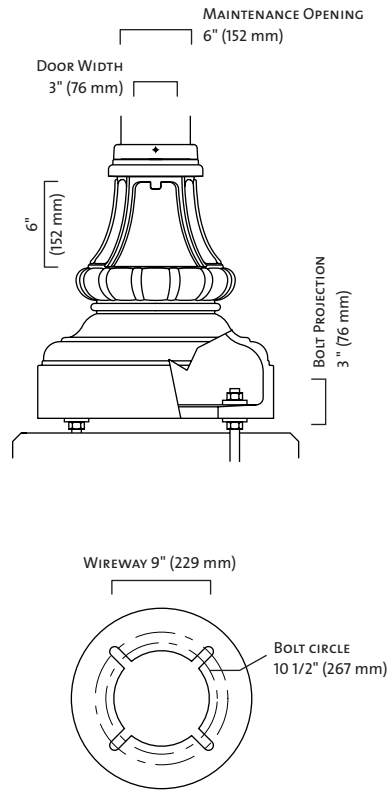
Note: The recommended method for calculating EPA (Effective Projected Area) is in accordance with AASHTO 2001 standards: for three seconds, the pole is tested in wind gusts equivalent to the strongest winds on record over the past 50 years, and with a 50 pound load (22.7 kg) placed at 1 foot (305 mm) above its center.
Important: Do not obstruct space between anchor plate and concrete base.

CATALOG NUMBER	NOMINAL HEIGHT		TENON SECTION		WALL THICKNESS		WEIGHT	EPA RATING				ANCHOR BOLTS		
	ft	m	in	mm	in	mm		lbs	kg	90 MPH	110 MPH	120 MPH	150 MPH	in
ATR106N	35	10.7			0.188	4.8	201	91	17.24	11.18	9.13	4.77	11/4-48	32-1219
ATR106V	35	10.7			0.250	6.4	261	119	25.84	17.13	14.17	8.07	11/4-48	32-1219
ATR106N	36	11.0			0.188	4.8	206	94	16.25	10.47	8.54	4.35	11/4-48	32-1219
ATR106V	36	11.0			0.250	6.4	267	121	24.54	16.22	13.4	7.54	11/4-48	32-1219
ATR106N	37	11.3			0.188	4.8	211	96	15.31	9.83	7.95	3.97	11/4-48	32-1219
ATR106V	37	11.3			0.250	6.4	274	125	23.33	15.37	12.68	7.04	11/4-48	32-1219
ATR106N	38	11.6			0.188	4.8	216	98	14.4	9.18	7.4	3.56	11/4-48	32-1219
ATR106V	38	11.6			0.250	6.4	281	128	22.16	14.55	11.96	6.55	11/4-48	32-1219
ATR106N	39	11.9			0.188	4.8	222	101	13.56	8.6	6.88	3.21	11/4-48	32-1219
ATR106V	39	11.9			0.250	6.4	288	131	21.06	13.78	11.29	6.08	11/4-48	32-1219
ATR106N	40	12.2			0.188	4.8	224	102	12.74	8.01	6.37	2.86	11/4-48	32-1219
ATR106V	40	12.2			0.250	6.4	296	135	19.99	13.03	10.65	5.65	11/4-48	32-1219

Note: Philips Lumec reserves the right to modify the above details to reflect changes in the cost of materials and/or production and/or design without prior notice.



Base details



Comes with 4 anchor bolts,
8 nuts and 8 washers.
B.C. from: 10 1/2" to 12 1/2" (267 to 318 mm)

Specifications:

Pole: made from a one-piece, seamless, 12 flute 5" round (127 mm) tube of extruded aluminum welded to a decorative cast-aluminum base incorporating an anchor plate.

A maintenance opening is complete with decorative cast-aluminum cover in the same style as the pole and copper ground lug.

Joint cover: a one-piece cast-aluminum decorative joint cover is mechanically fastened to the shaft and base junction with stainless steel hardware.

Finish: See page 142 for Finish details.

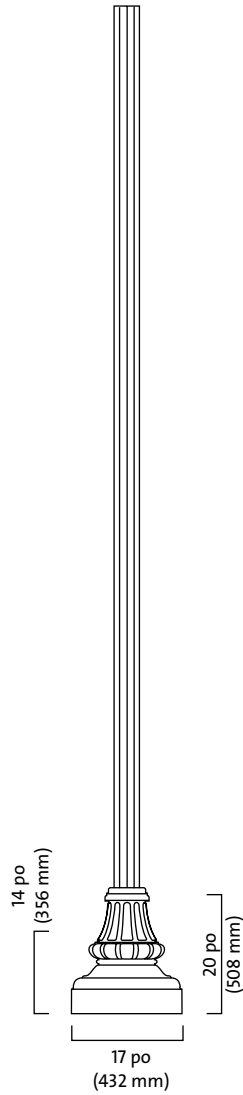
Options:

- LS:** Provision for loudspeaker outlet (see page 132)
- PH7:** Button-type photoelectric cell (specify operating voltage)
- PH8:** Quarter-turn type photoelectric cell (specify operating voltage)
- DR:** Duplex receptacle (120V line voltage only)
- GFI:** DR with common ground fault interrupter (120V line voltage only)
- BA:** Banner arm (see page 136)
- PS:** Plant support (see page 137)
- MPL:** Mid-pole luminaire

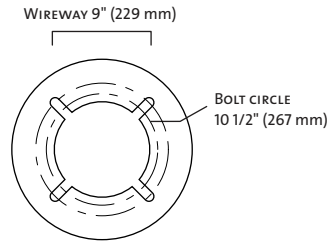
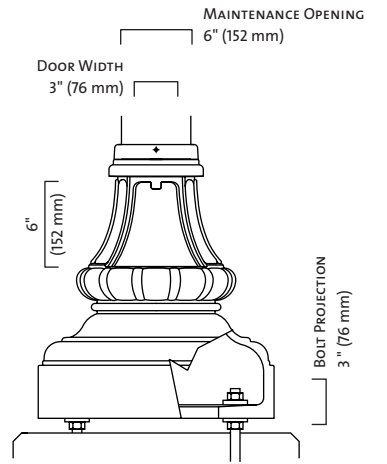
Note: The recommended method for calculating EPA (Effective Projected Area) is in accordance with AASHTO 2001 standards: for three seconds, the pole is tested in wind gusts equivalent to the strongest winds on record over the past 50 years, and with a 50 pound load (22.7 kg) placed at 1 foot (305 mm) above its center.

Important: Do not obstruct space between anchor plate and concrete base.

CATALOG NUMBER	NOMINAL HEIGHT		TENON SECTION		WALL THICKNESS		WEIGHT		EPA RATING				ANCHOR BOLTS	
	ft	m	in	mm	in	mm	lbs	kg	90 MPH	110 MPH	120 MPH	150 MPH	in	mm
RA40-8	8	2.44	5	127	0.208	5.2	78	35	30	22.78	19.15	12.11	3/4-20	19-508
RA40-10	10	3.05	5	127	0.208	5.2	86	39	26.1	17.39	14.52	9.01	3/4-20	19-508
RA40-12	12	3.66	5	127	0.208	5.2	93	42	20.73	13.6	11.27	6.84	3/4-20	19-508
RA40-14	14	4.27	5	127	0.208	5.2	101	46	16.77	10.79	8.85	5.16	3/4-20	19-508
RA40-16	16	4.88	5	127	0.208	5.2	109	49	13.75	8.62	6.96	3.85	3/4-20	19-508
RA40-18	18	5.49	5	127	0.208	5.2	116	53	11	6.64	5.26	2.65	3/4-27	19-686
RA40-20	20	6.10	5	127	0.208	5.2	123	56	8.75	5.02	3.85	1.65	3/4-27	19-686



Base details



Comes with 4 anchor bolts,
8 nuts and 8 washers.
B.C. from: 10 1/2" to 12 1/2" (267 to 318 mm)

Specifications:

Pole: made from a one-piece, seamless 8 flute 4" round (102 mm) tube of extruded aluminum welded to a decorative cast-aluminum base incorporating an anchor plate.

A maintenance opening is complete with decorative cast-aluminum cover in the same style as the pole and copper ground lug.

Joint cover: a one-piece cast-aluminum decorative joint cover is mechanically fastened to the shaft and base junction with stainless steel hardware.

Finish: See page 142 for Finish details.

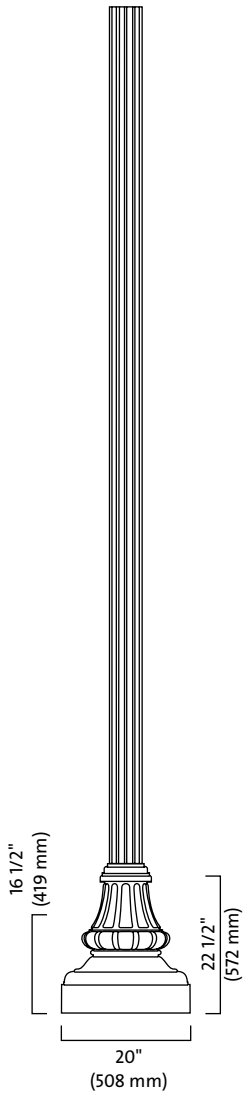
Options:

- LS:** Provision for loudspeaker outlet (see page 132)
- PH7:** Button-type photoelectric cell (specify operating voltage)
- PH8:** Quarter-turn type photoelectric cell (specify operating voltage)
- DR:** Duplex receptacle (120V line voltage only)
- GFI:** DR with common ground fault interrupter (120V line voltage only)
- BA:** Banner arm (see page 136)
- PS:** Plant support (see page 137)
- MPL:** Mid-pole luminaire

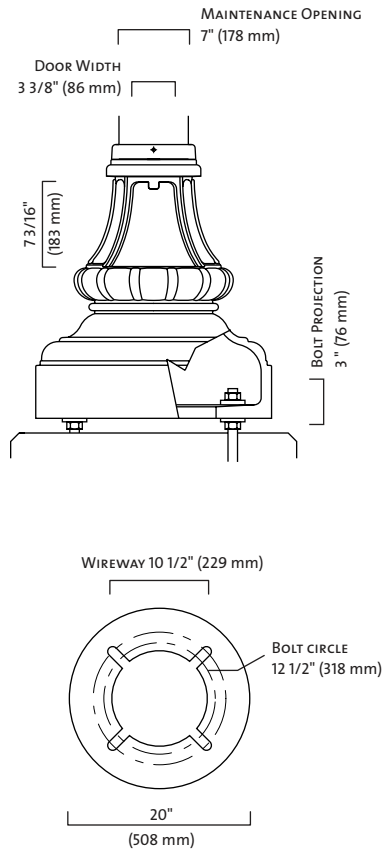
Note: The recommended method for calculating EPA (Effective Projected Area) is in accordance with AASHTO 2001 standards: for three seconds, the pole is tested in wind gusts equivalent to the strongest winds on record over the past 50 years, and with a 50 pound load (22.7 kg) placed at 1 foot (305 mm) above its center.

Important: Do not obstruct space between anchor plate and concrete base.

CATALOG NUMBER	NOMINAL HEIGHT		TENON SECTION		WALL THICKNESS		WEIGHT		EPA RATING				ANCHOR BOLTS	
	ft	m	in	mm	in	mm	lbs	kg	90 MPH	110 MPH	120 MPH	150 MPH	in	mm
RA41-8	8	2.44	4	102	0.167	4.2	72	33	16.98	11.25	9.36	5.81	3/4-20	19-508
RA41-10	10	3.05	4	102	0.167	4.2	78	35	12.82	8.28	6.78	4.05	3/4-20	19-508
RA41-12	12	3.66	4	102	0.167	4.2	84	38	9.91	6.17	4.97	2.78	3/4-20	19-508
RA41-14	14	4.27	4	102	0.167	4.2	90	41	7.74	4.56	3.54	1.77	3/4-20	19-508
RA41-15	15	4.57	4	102	0.167	4.2	93	42	6.84	3.88	2.94	1.33	3/4-20	19-508
RA41-16	16	4.88	4	102	0.167	4.2	96	44	6.04	3.27	2.39	-	3/4-20	19-508
RA41-18	18	5.49	4	102	0.167	4.2	102	46	4.52	2.13	1.39	-	3/4-27	19-686



Base details



Comes with 4 anchor bolts,
8 nuts and 8 washers.
B.C. from: 12" to 15" (305 to 381 mm)

Specifications:

Pole: made from a one-piece, seamless 12 flute 5" round (127 mm) tube of extruded aluminum, welded to a decorative cast-aluminum base incorporating an anchor plate.

A maintenance opening is complete with decorative cast-aluminum cover in the same style as the pole and copper ground lug.

Joint cover: a one-piece cast-aluminum decorative joint cover is mechanically fastened to the shaft and base junction with stainless steel hardware.

Finish: See page 142 for Finish details.

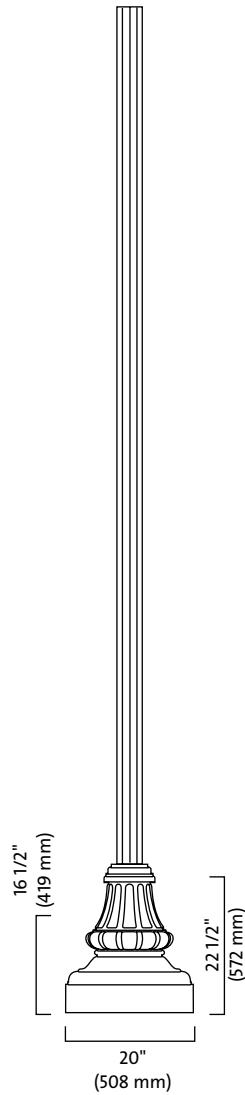
Options:

- LS:** Provision for loudspeaker outlet (see page 132)
- PH7:** Button-type photoelectric cell (specify operating voltage)
- PH8:** Quarter-turn type photoelectric cell (specify operating voltage)
- DR:** Duplex receptacle (120V line voltage only)
- GFI:** DR with common ground fault interrupter (120V line voltage only)
- BA:** Banner arm (see page 136)
- PS:** Plant support (see page 137)
- MPL:** Mid-pole luminaire

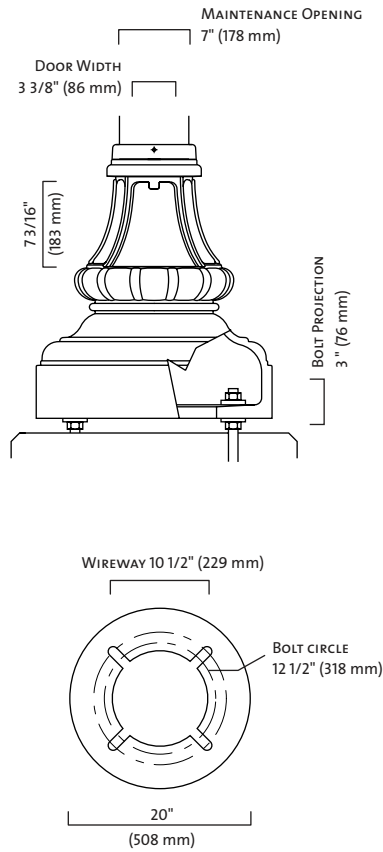
Note: The recommended method for calculating EPA (Effective Projected Area) is in accordance with AASHTO 2001 standards: for three seconds, the pole is tested in wind gusts equivalent to the strongest winds on record over the past 50 years, and with a 50 pound load (22.7 kg) placed at 1 foot (305 mm) above its center.

Important: Do not obstruct space between anchor plate and concrete base.

CATALOG NUMBER	NOMINAL HEIGHT		TENON SECTION		WALL THICKNESS		WEIGHT		EPA RATING				ANCHOR BOLTS	
	ft	m	in	mm	in	mm	lbs	kg	90 MPH	110 MPH	120 MPH	150 MPH	in	mm
RA54-8	8	2.44	5	127	0.208	5.2	112	51	30	23.73	19.94	12.66	3/4-20	19-508
RA54-10	10	3.05	5	127	0.208	5.2	120	54	27	18.01	15.04	9.39	3/4-20	19-508
RA54-12	12	3.66	5	127	0.208	5.2	127	58	21.37	14.06	11.67	7.1	3/4-20	19-508
RA54-14	14	4.27	5	127	0.208	5.2	135	61	17.27	11.14	9.15	5.38	3/4-20	19-508
RA54-16	16	4.88	5	127	0.208	5.2	143	65	14.13	8.89	7.21	4.01	3/4-20	19-508
RA54-18	18	5.49	5	127	0.208	5.2	150	68	11.29	6.88	5.46	2.8	3/4-27	19-686
RA54-20	20	6.10	5	127	0.208	5.2	157	71	9.01	5.22	4.03	1.78	3/4-27	19-686



Base details



Comes with 4 anchor bolts,
8 nuts and 8 washers.
B.C. from: 12" to 15" (305 to 381 mm)

Specifications:

Pole: made from a one-piece, seamless 8 flute 4" round (102 mm) tube of extruded aluminum welded to a decorative cast-aluminum base incorporating an anchor plate.

A maintenance opening is complete with decorative cast-aluminum cover in the same style as the pole and copper ground lug.

Joint cover: a one-piece cast-aluminum decorative joint cover is mechanically fastened to the shaft and base junction with stainless steel hardware.

Finish: See page 142 for Finish details.

Options:

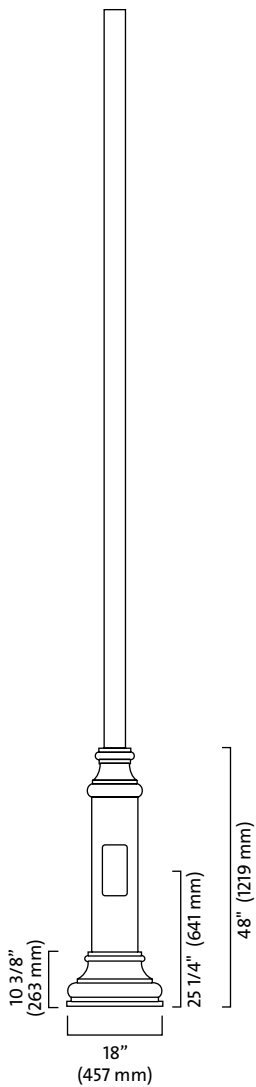
- LS:** Provision for loudspeaker outlet (see page 132)
- PH7:** Button-type photoelectric cell (specify operating voltage)
- PH8:** Quarter-turn type photoelectric cell (specify operating voltage)
- DR:** Duplex receptacle (120V line voltage only)
- GFI:** DR with common ground fault interrupter (120V line voltage only)
- BA:** Banner arm (see page 136)
- PS:** Plant support (see page 137)
- MPL:** Mid-pole luminaire

Note: The recommended method for calculating EPA (Effective Projected Area) is in accordance with AASHTO 2001 standards: for three seconds, the pole is tested in wind gusts equivalent to the strongest winds on record over the past 50 years, and with a 50 pound load (22.7 kg) placed at 1 foot (305 mm) above its center.

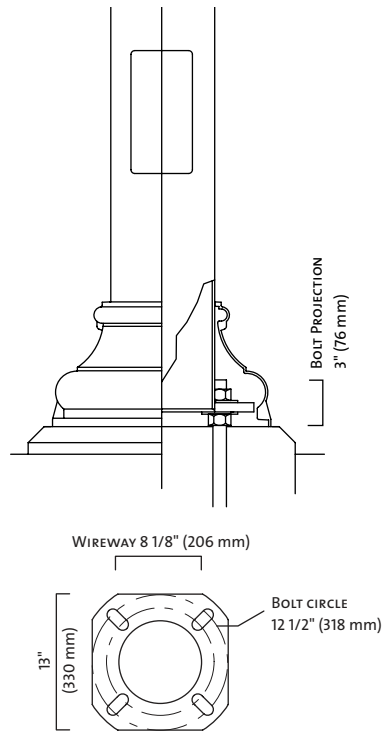
Important: Do not obstruct space between anchor plate and concrete base.

CATALOG NUMBER	NOMINAL HEIGHT		TENON SECTION		WALL THICKNESS		WEIGHT	EPA RATING				ANCHOR BOLTS	
	ft	m	in	mm	in	mm		90 MPH	110 MPH	120 MPH	150 MPH	in	mm
RA56-8	8	2.44	4	102	0.167	4.2	106 48	17.72	11.76	9.81	6.12	3/4-20	19-508
RA56-10	10	3.05	4	102	0.167	4.2	112 51	13.31	8.64	7.1	4.26	3/4-20	19-508
RA56-12	12	3.66	4	102	0.167	4.2	118 54	10.26	6.43	5.18	2.93	3/4-20	19-508
RA56-14	14	4.27	4	102	0.167	4.2	124 56	8.01	4.76	3.71	1.9	3/4-20	19-508
RA56-16	16	4.88	4	102	0.167	4.2	130 59	6.25	3.44	2.54	1.04	3/4-20	19-508
RA56-18	18	5.49	4	102	0.167	4.2	135 62	4.7	2.27	1.51	-	3/4-27	19-686

Note: Philips Lumec reserves the right to modify the above details to reflect changes in the cost of materials and/or production and/or design without prior notice.



Base details



Comes with 4 anchor bolts,
8 nuts and 8 washers.
B.C. from: 10 3/4" to 13" (273 to 330 mm)

Specifications:

Pole: made from a one-piece, seamless 4" round (102 mm) tube of extruded aluminum, welded over a 8 5/8" round (219 mm) seamless extruded-aluminum pole base.

The assembly is welded to both the top and bottom of a cast aluminum anchor plate.

A 4 1/2" by 10" (114 by 254 mm) maintenance opening is complete with cover and copper ground lug.

Joint cover: made from two pieces of cast aluminum mechanically fastened to the junction with stainless steel hardware.

Base cover: decorative base cover made from cast-aluminum pieces mechanically assembled together with stainless steel hardware around base of the pole.

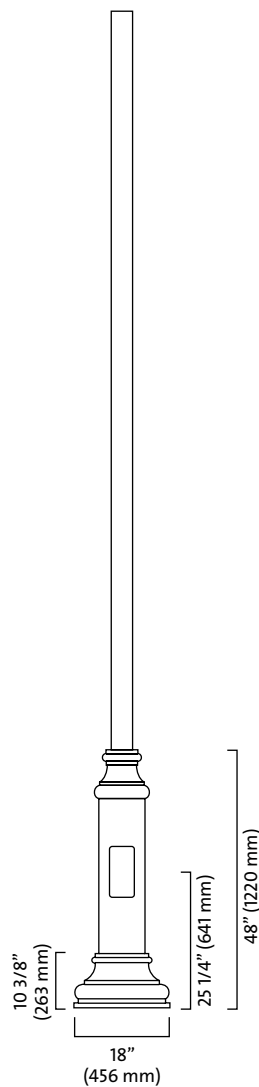
Finish: See page 142 for Finish details.

Options:

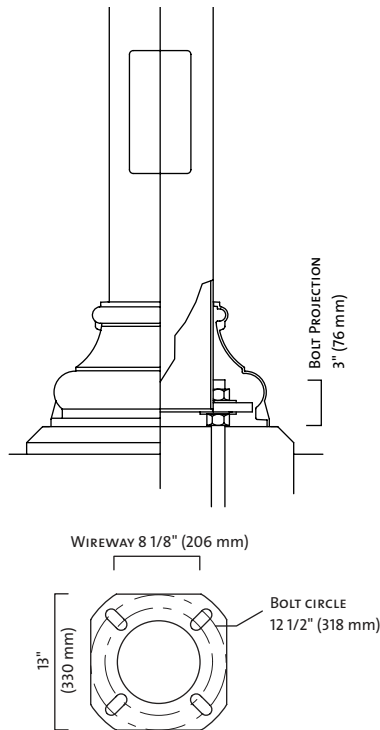
- DE:** Pole base buried 5' (1524 mm) in the ground (see page 133).
- LS:** Provision for loudspeaker outlet (see page 132)
- PH7:** Button-type photoelectric cell (specify operating voltage)
- PH8:** Quarter-turn type photoelectric cell (specify operating voltage)
- DR:** Duplex receptacle (120V line voltage only)
- GFI:** DR with common ground fault interrupter (120V line voltage only)
- BA:** Banner arm (see page 136)
- PS:** Plant support (see page 137)
- MPL:** Mid-pole luminaire

Note: The recommended method for calculating EPA (Effective Projected Area) is in accordance with AASHTO 2001 standards: for three seconds, the pole is tested in wind gusts equivalent to the strongest winds on record over the past 50 years, and with a 50 pound load (22.7 kg) placed at 1 foot (305 mm) above its center.

CATALOG NUMBER	NOMINAL HEIGHT		TENON SECTION		WALL THICKNESS		WEIGHT		EPA RATING				ANCHOR BOLTS	
	ft	m	in	mm	in	mm	lbs	kg	90 MPH	110 MPH	120 MPH	150 MPH	in	mm
RA61F-8	8	2.44	4	102	0.125	3.2	34	15	17.09	11.53	9.67	6.2	3/4-20	19-508
RA61U-8	8	2.44	4	102	0.226	5.7	41	19	30	20.59	17.35	11.2	3/4-20	19-508
RA61F-10	10	3.05	4	102	0.125	3.2	38	17	12.26	8.04	6.67	4.2	3/4-20	19-508
RA61U-10	10	3.05	4	102	0.226	5.7	47	21	22.1	14.79	12.39	7.92	3/4-20	19-508
RA61F-12	12	3.66	4	102	0.125	3.2	42	19	9.15	5.79	4.71	2.92	3/4-20	19-508
RA61U-12	12	3.66	4	102	0.226	5.7	53	24	16.94	11.12	9.24	5.84	3/4-20	19-508
RA61F-13	13	3.97	4	102	0.125	3.2	43	20	7.95	4.92	3.97	2.39	3/4-20	19-508
RA61U-13	13	3.97	4	102	0.226	5.7	56	25	15.01	9.75	8.05	5.05	3/4-20	19-508
RA61F-14	14	4.27	4	102	0.125	3.2	45	20	6.96	4.17	3.3	1.96	3/4-20	19-508
RA61U-14	14	4.27	4	102	0.226	5.7	60	27	13.37	8.58	7.02	4.38	3/4-20	19-508
RA61F-15	15	4.57	4	102	0.125	3.2	47	21	6.08	3.5	2.72	1.57	3/4-20	19-508
RA61U-15	15	4.57	4	102	0.226	5.7	63	29	11.96	7.54	6.14	3.77	3/4-20	19-508
RA61F-16	16	4.88	4	102	0.125	3.2	49	22	5.32	2.94	2.21	1.22	3/4-20	19-508
RA61U-16	16	4.88	4	102	0.226	5.7	66	30	10.77	6.68	5.38	3.27	3/4-20	19-508
RA61W-16	16	4.88	4	102	0.318	8.1	103	47	15.16	9.69	7.93	4.93	3/4-20	19-508
RA61U-18	18	5.49	4	102	0.226	5.7	72	33	8.5	5.02	3.95	2.31	3/4-27	19-686
RA61W-18	18	5.49	4	102	0.318	8.1	111	50	12.21	7.58	6.12	3.71	3/4-27	19-686
RA61U-20	20	6.10	4	102	0.226	5.7	79	36	6.7	3.71	2.8	1.53	3/4-27	19-686
RA61W-20	20	6.10	4	102	0.318	8.1	120	54	9.85	5.9	4.67	2.74	3/4-27	19-686



Base details



Comes with 4 anchor bolts,
8 nuts and 8 washers.
B.C. from: 11" to 13" (273 to 330 mm)

Specifications:

Pole: made from a single, seamless 4" round (102 mm) piece of high-tensile carbon steel sealed by a rolled and flattened vertical weld seam and welded over a 8 5/8" round (219 mm) high-tensile carbon-steel pole base. The assembly is welded to both the top and bottom of a steel anchor plate.

A 4 1/2" by 10" (114 by 254 mm) maintenance opening is complete with cover and copper ground lug.

Joint cover: made from two pieces of cast-aluminum mechanically fastened to the junction with stainless steel hardware.

Base cover: decorative base cover made from cast-aluminum pieces mechanically assembled together with stainless steel hardware around base of the pole.

Finish: See page 142 for Finish details.

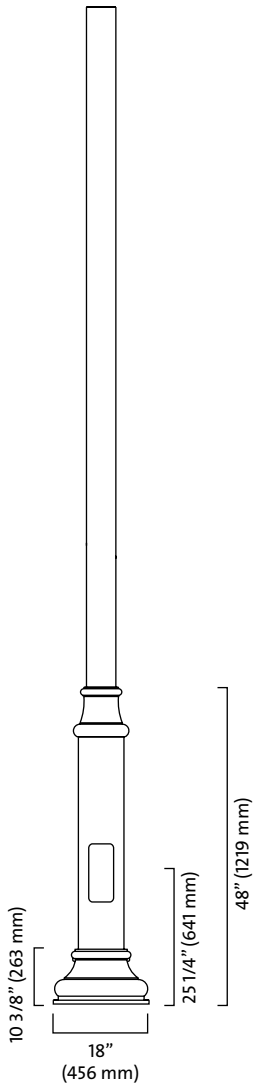
Options:

- DE:** Pole base buried 5' (1524 mm) in the ground (see page 133).
- LS:** Provision for loudspeaker outlet (see page 132)
- PH7:** Button-type photoelectric cell (specify operating voltage)
- PH8:** Quarter-turn type photoelectric cell (specify operating voltage)
- DR:** Duplex receptacle (120V line voltage only)
- GFI:** DR with common ground fault interrupter (120V line voltage only)
- BA:** Banner arm (see page 136)
- PS:** Plant support (see page 137)
- MPL:** Mid-pole luminaire

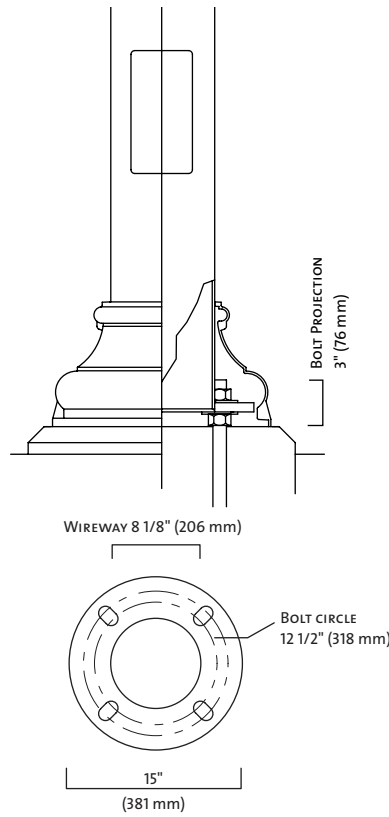
Note: The recommended method for calculating EPA (Effective Projected Area) is in accordance with AASHTO 2001 standards: for three seconds, the pole is tested in wind gusts equivalent to the strongest winds on record over the past 50 years, and with a 50 pound load (22.7 kg) placed at 1 foot (305 mm) above its center.

CATALOG NUMBER	NOMINAL HEIGHT		TENON SECTION		WALL THICKNESS		WEIGHT		EPA RATING				ANCHOR BOLTS	
	ft	m	in	mm	in	mm	lbs	kg	90 MPH	110 MPH	120 MPH	150 MPH	in	mm
RS61F-8	8	2.44	4	102	0.120	3.2	117	53	30	27.6	23.31	15.08	3/4-20	19-508
RS61N-8	8	2.44	4	102	0.188	4.8	129	58	30	30	30	22.17	3/4-20	19-508
RS61F-10	10	3.05	4	102	0.120	3.2	127	57	29.46	19.91	16.74	10.77	3/4-20	19-508
RS61N-10	10	3.05	4	102	0.188	4.8	145	65	30	29.42	24.8	16.02	3/4-20	19-508
RS61F-12	12	3.66	4	102	0.120	3.2	137	62	22.52	15.06	12.58	8.07	3/4-20	19-508
RS61N-12	12	3.66	4	102	0.188	4.8	160	72	30	22.52	18.93	12.17	3/4-20	19-508
RS61F-14	14	4.27	4	102	0.120	3.2	146	66	17.8	11.72	9.73	6.16	3/4-20	19-508
RS61N-14	14	4.27	4	102	0.188	4.8	175	79	26.59	17.82	14.9	9.54	3/4-20	19-508
RS61F-15	15	4.57	4	102	0.120	3.2	151	68	15.92	10.39	8.6	5.41	3/4-20	19-508
RS61N-15	15	4.57	4	102	0.188	4.8	183	83	23.95	15.96	13.32	8.51	3/4-20	19-508
RS61V-15	15	4.57	4	102	0.250	6.4	210	95	30	21.98	18.44	11.86	3/4-20	19-508
RS61F-16	16	4.88	4	102	0.120	3.2	156	70	14.36	9.28	7.62	4.77	3/4-20	19-508
RS61N-16	16	4.88	4	102	0.188	4.8	191	86	21.75	14.41	12	7.63	3/4-20	19-508
RS61V-16	16	4.88	4	102	0.250	6.4	220	100	29.72	19.97	16.71	10.73	3/4-20	19-508
RS61F-18	18	5.49	4	102	0.120	3.2	166	75	11.41	7.17	5.79	3.56	3/4-27	19-686
RS61N-18	18	5.49	4	102	0.188	4.8	206	93	17.56	11.47	9.46	5.96	3/4-27	19-686
RS61V-18	18	5.49	4	102	0.250	6.4	240	109	24.22	16.1	13.4	8.54	3/4-27	19-686
RS61F-20	20	6.10	4	102	0.120	3.2	177	80	9.1	5.49	4.32	2.56	3/4-27	19-686
RS61N-20	20	6.10	4	102	0.188	4.8	221	100	14.34	9.14	7.45	4.61	3/4-27	19-686
RS61V-20	20	6.10	4	102	0.250	6.4	260	118	19.97	13.09	10.83	6.84	3/4-27	19-686

Note: Philips Lumec reserves the right to modify the above details to reflect changes in the cost of materials and/or production and/or design without prior notice.



Base details



Comes with 4 anchor bolts,
8 nuts and 8 washers.
B.C. from: 11 1/2" to 13" (292 to 330 mm)

Specifications:

Pole: made from a one-piece, seamless 5 9/16" round (141 mm) tube of extruded aluminum welded over and in a 8 5/8" round (219 mm) extruded-aluminum pole base.

The assembly is welded to both the top and bottom of a cast aluminum anchor plate.

A 4 1/2" by 10" (114 by 254 mm) maintenance opening is complete with cover and copper ground lug.

Joint cover: made from two pieces of cast aluminum mechanically fastened to the junction with stainless steel hardware.

Base cover: decorative base cover made from cast-aluminum pieces mechanically assembled together with stainless steel hardware around base of the pole.

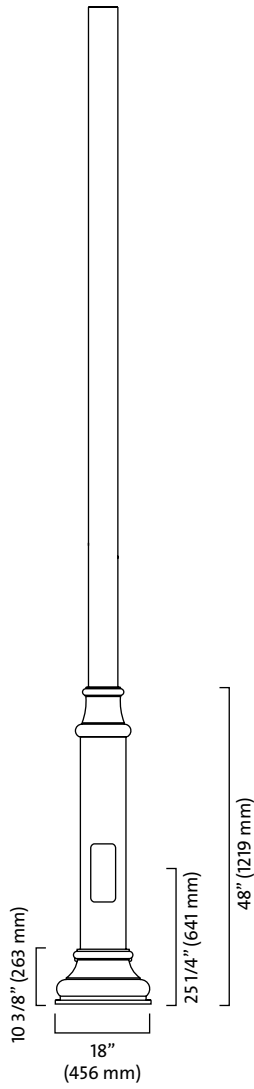
Finish: See page 142 for Finish details.

Options:

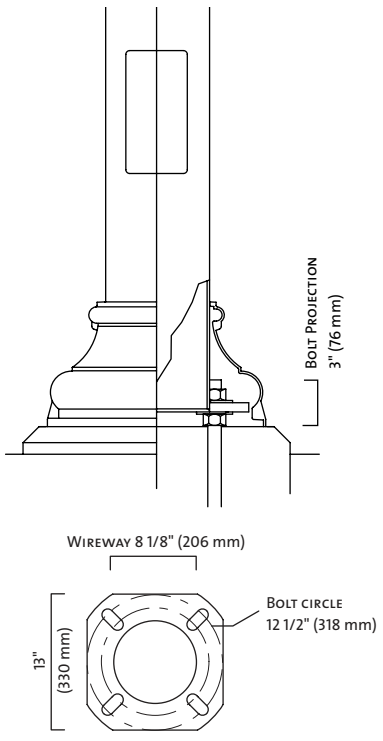
- DE:** Pole base buried 5' (1524 mm) in the ground (see page 133).
- LS:** Provision for loudspeaker outlet (see page 132)
- PH7:** Button-type photoelectric cell (specify operating voltage)
- PH8:** Quarter-turn type photoelectric cell (specify operating voltage)
- DR:** Duplex receptacle (120V line voltage only)
- GFI:** DR with common ground fault interrupter (120V line voltage only)
- BA:** Banner arm (see page 136)
- PS:** Plant support (see page 137)
- MPL:** Mid-pole luminaire

Note: The recommended method for calculating EPA (Effective Projected Area) is in accordance with AASHTO 2001 standards: for three seconds, the pole is tested in wind gusts equivalent to the strongest winds on record over the past 50 years, and with a 50 pound load (22.7 kg) placed at 1 foot (305 mm) above its center.

CATALOG NUMBER	NOMINAL HEIGHT		TENON SECTION		WALL THICKNESS		WEIGHT		EPA RATING				ANCHOR BOLTS	
	ft	m	in	mm	in	mm	lbs	kg	90 MPH	110 MPH	120 MPH	150 MPH	in	mm
RAS61V-12	12	3.66	5 9/16	141	0.258	6.5	64	29	30	28.46	23.89	15.14	1-36	25-914
RAS61V-13	13	3.97	5 9/16	141	0.258	6.5	69	31	30	26.14	21.9	13.84	1-36	25-914
RAS61V-14	14	4.27	5 9/16	141	0.258	6.5	74	34	30	23.95	20.17	12.7	1-36	25-914
RAS61V-15	15	4.57	5 9/16	141	0.258	6.5	79	36	30	21.56	18.15	11.59	1-36	25-914
RAS61V-16	16	4.88	5 9/16	141	0.258	6.5	84	38	29.06	19.61	16.48	10.47	1-36	25-914
RAS61V-18	18	5.49	5 9/16	141	0.258	6.5	94	43	23.66	15.86	13.3	8.4	1-36	25-914
RAS61V-20	20	6.10	5 9/16	141	0.258	6.5	104	47	19.5	12.99	10.86	6.78	1-36	25-914
RAS61V-22	22	6.71	5 9/16	141	0.258	6.5	115	52	16.19	10.71	8.91	5.49	1-36	25-914
RAS61V-23	23	7.01	5 9/16	141	0.258	6.5	120	54	14.78	9.71	8.07	4.94	1-36	25-914



Base details



Comes with 4 anchor bolts,
8 nuts and 8 washers.
B.C. from: 11" to 13" (279 to 330 mm)

Specifications:

Pole: made from a one-piece, seamless 5 9/16" round (141 mm) high-tensile carbon steel shaft sealed by a rolled and flattened vertical weld seam and welded over and in an 8 5/8" round (219 mm) high-tensile carbon-steel pole base. The assembly is welded to both the top and bottom of a steel anchor plate.
A 4 1/2" by 10" (114 by 254 mm) maintenance opening is complete with cover and copper ground lug.
Joint cover: made from two pieces of cast aluminum mechanically fastened to the junction with stainless steel hardware.
Base cover: decorative base cover made from cast-aluminum pieces mechanically assembled together with stainless steel hardware around base of the pole.
Finish: See page 142 for Finish details.

Options:

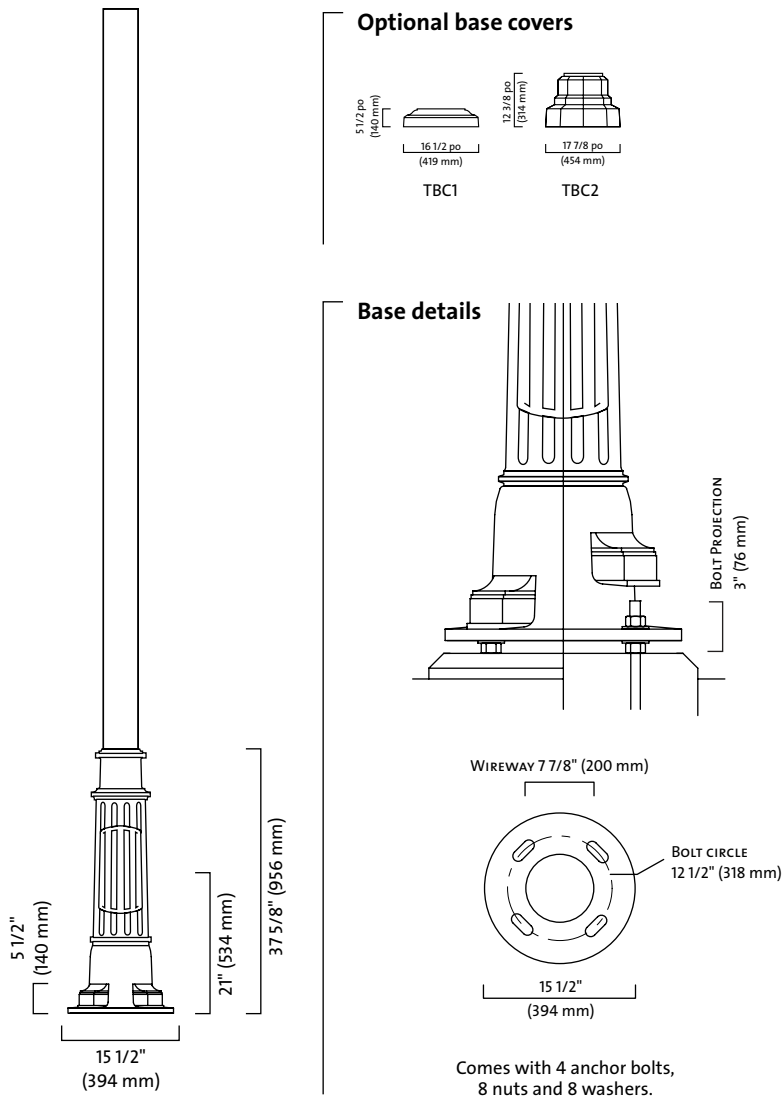
- DE:** Pole buried 5' (1524 mm) in the ground (see page 133)
- LS:** Provision for loudspeaker outlet (see page 132)
- PH7:** Button-type photoelectric cell (specify operating voltage)
- PH8:** Quarter-turn type photoelectric cell (specify operating voltage)
- DR:** Duplex receptacle (120V line voltage only)
- GFI:** DR with common ground fault interrupter (120V line voltage only)
- BA:** Banner arm (see page 136)
- PS:** Plant support (see page 137)
- MPL:** Mid-pole luminaire

Note: The recommended method for calculating EPA (Effective Projected Area) is in accordance with AASHTO 2001 standards: for three seconds, the pole is tested in wind gusts equivalent to the strongest winds on record over the past 50 years, and with a 50 pound load (22.7 kg) placed at 1 foot (305 mm) above its center.

CATALOG NUMBER	NOMINAL HEIGHT		TENON SECTION		WALL THICKNESS		WEIGHT		EPA RATING				ANCHOR BOLTS	
	ft	m	in	mm	in	mm	lbs	kg	90 MPH	110 MPH	120 MPH	150 MPH	in	mm
RSS61V-18	18	5.49	5 9/16	141	0.250	6.4	258	117	30	30	30	21.2	1-36	25-914
RSS61V-20	20	6.10	5 9/16	141	0.250	6.4	287	130	30	30	27.43	17.66	1-36	25-914
RSS61V-22	22	6.71	5 9/16	141	0.250	6.4	315	143	30	27.47	23.19	14.88	1-36	25-914
RSS61V-24	24	7.32	5 9/16	141	0.250	6.4	344	156	30	23.4	19.73	12.62	1-36	25-914
RSS61V-26	26	7.93	5 9/16	141	0.250	6.4	372	156	29.46	20.04	16.88	10.73	1-36	25-914
RSS61V-28	28	8.54	5 9/16	141	0.250	6.4	400	182	25.36	17.19	14.44	9.13	1-36	25-914

Note: Philips Lumec reserves the right to modify the above details to reflect changes in the cost of materials and/or production and/or design without prior notice.





Comes with 4 anchor bolts, 8 nuts and 8 washers.

Specifications:

Pole: made from a seamless 4" round (102 mm) extruded-aluminum shaft welded to a decorative cast-aluminum base incorporating an anchor plate.

A 4" by 9" (102 by 229 mm) maintenance opening is complete with cover and copper ground lug. The pole comes with cast-aluminum bolt covers.

Finish: See page 142 for Finish details.

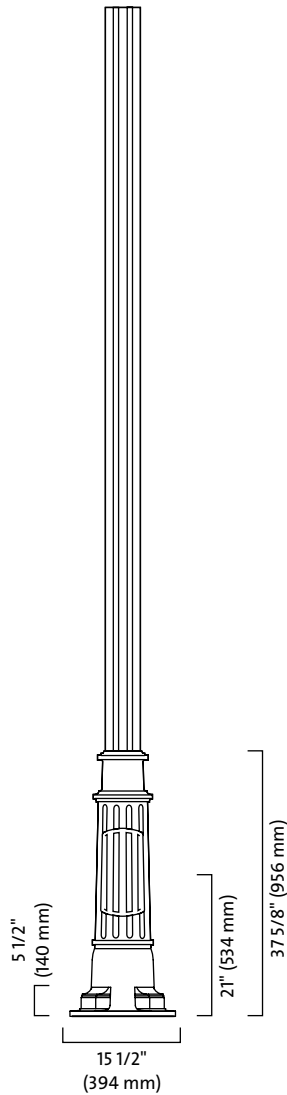
Options:

- LS:** Provision for loudspeaker outlet (see page 132)
- PH7:** Button-type photoelectric cell (specify operating voltage)
- PH8:** Quarter-turn type photoelectric cell (specify operating voltage)
- DR:** Duplex receptacle (120V line voltage only)
- GFI:** DR with common ground fault interrupter (120V line voltage only)
- BA:** Banner arm (see page 136)
- PS:** Plant support (see page 137)
- MPL:** Mid-pole luminaire
- Two-piece round decorative base cover:**
- TBC1:** Round cast-aluminum
- TBC2:** Cast-aluminum hexagonal

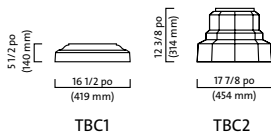
Note: The recommended method for calculating EPA (Effective Projected Area) is in accordance with AASHTO 2001 standards: for three seconds, the pole is tested in wind gusts equivalent to the strongest winds on record over the past 50 years, and with a 50 pound load (22.7 kg) placed at 1 foot (305 mm) above its center.

Important: Do not obstruct space between anchor plate and concrete base.

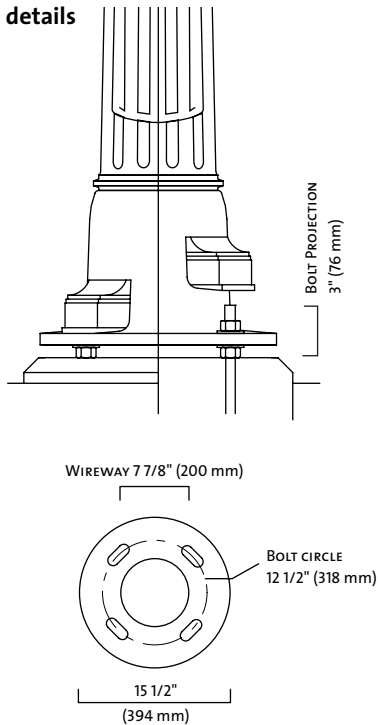
CATALOG NUMBER	NOMINAL HEIGHT		TENON SECTION		WALL THICKNESS		WEIGHT		EPA RATING				ANCHOR BOLTS	
	ft	m	in	mm	in	mm	lbs	kg	90 MPH	110 MPH	120 MPH	150 MPH	in	mm
R80F-8	8	2.44	4	102	0.125	3.2	64	29	16.74	11.27	9.46	6.06	3/4-20	19-508
R80U-8	8	2.44	4	102	0.226	5.7	72	33	29.69	20.17	16.98	10.94	3/4-20	19-508
R80F-10	10	3.05	4	102	0.125	3.2	69	31	12.06	7.9	6.53	4.12	3/4-20	19-508
R80U-10	10	3.05	4	102	0.226	5.7	78	35	21.74	14.53	12.17	7.78	3/4-20	19-508
R80F-12	12	3.66	4	102	0.125	3.2	75	34	9.01	5.67	4.61	2.83	3/4-20	19-508
R80U-12	12	3.66	4	102	0.226	5.7	84	38	16.7	10.96	9.09	5.73	3/4-20	19-508
R80F-14	14	4.27	4	102	0.125	3.2	80	36	6.84	4.09	3.23	1.9	3/4-20	19-508
R80U-14	14	4.27	4	102	0.226	5.7	90	41	13.19	8.45	6.92	4.3	3/4-20	19-508
R80F-15	15	4.57	4	102	0.125	3.2	82	37	5.96	3.44	2.66	1.51	3/4-20	19-508
R80U-15	15	4.57	4	102	0.226	5.7	93	42	11.82	7.44	6.05	3.71	3/4-20	19-508
R80F-16	16	4.88	4	102	0.125	3.2	84	38	5.23	2.87	2.15	1.16	3/4-20	19-508
R80U-16	16	4.88	4	102	0.226	5.7	96	43	10.63	6.58	5.3	3.21	3/4-20	19-508
R80F-18	18	5.49	4	102	0.125	3.2	89	40	3.82	1.8	1.22	-	3/4-27	19-686
R80U-18	18	5.49	4	102	0.226	5.7	102	46	8.4	4.97	3.89	2.27	3/4-27	19-686



Optional base covers



Base details



Comes with 4 anchor bolts, 8 nuts and 8 washers.

Specifications:

Pole: made from a 4" round (102 mm) 8 flute extruded-aluminum shaft welded to a decorative cast-aluminum base incorporating an anchor plate.

A 4" by 10" (140 by 254 mm) maintenance opening is complete with cover and copper ground lug. The pole comes with cast-aluminum bolt covers.

Finish: See page 142 for Finish details.

Options:

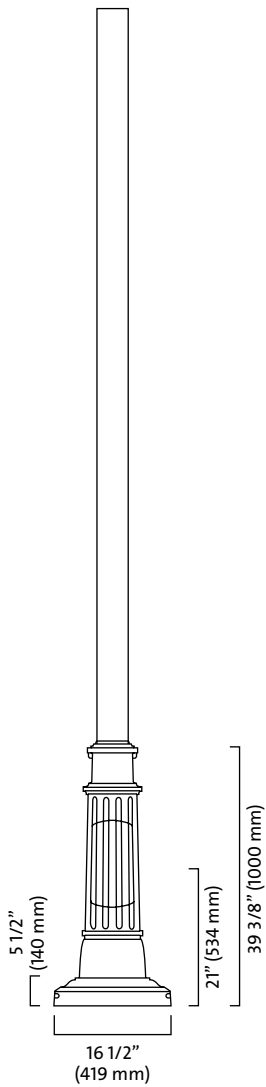
- LS:** Provision for loudspeaker outlet (see page 132)
- PH7:** Button-type photoelectric cell (specify operating voltage)
- PH8:** Quarter-turn type photoelectric cell (specify operating voltage)
- DR:** Duplex receptacle (120V line voltage only)
- GFI:** DR with common ground fault interrupter (120V line voltage only)
- BA:** Banner arm (see page 136)
- PS:** Plant support (see page 137)
- MPL:** Mid-pole luminaire
- Two-piece round decorative base cover:**
- TBC1:** Round cast-aluminum
- TBC2:** Cast-aluminum hexagonal

Note: The recommended method for calculating EPA (Effective Projected Area) is in accordance with AASHTO 2001 standards: for three seconds, the pole is tested in wind gusts equivalent to the strongest winds on record over the past 50 years, and with a 50 pound load (22.7 kg) placed at 1 foot (305 mm) above its center.

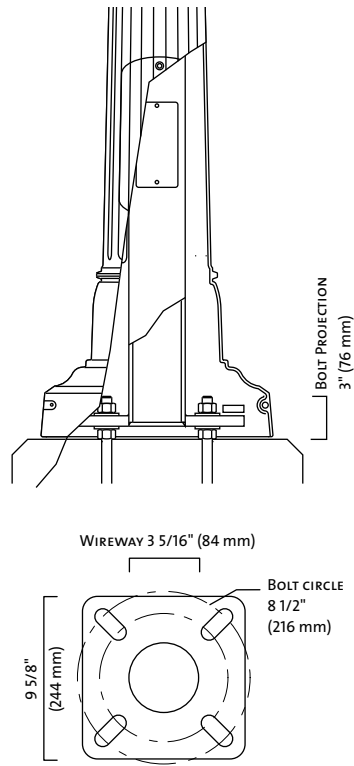
CATALOG NUMBER	NOMINAL HEIGHT		TENON SECTION		WALL THICKNESS		WEIGHT		EPA RATING				ANCHOR BOLTS	
	ft	m	in	mm	in	mm	lbs	kg	90 MPH	110 MPH	120 MPH	150 MPH	in	mm
R80A-8	8	2.44	4	102	0.167	4.2	60	27	21.84	14.69	12.32	7.81	3/4-20	19-508
R80A-10	10	3.05	4	102	0.167	4.2	63	29	15.96	10.53	8.74	5.38	3/4-20	19-508
R80A-12	12	3.66	4	102	0.167	4.2	67	30	12.13	7.78	6.35	3.76	3/4-20	19-508
R80A-14	14	4.27	4	102	0.167	4.2	70	32	9.42	5.79	4.61	2.54	3/4-20	19-508
R80A-15	15	4.57	4	102	0.167	4.2	73	33	8.31	4.99	3.91	2.04	3/4-20	19-508
R80A-16	16	4.88	4	102	0.167	4.2	75	34	7.37	4.28	3.29	1.58	3/4-20	19-508
R80A-18	18	5.49	4	102	0.167	4.2	78	36	5.59	2.97	2.13	-	3/4-27	19-686

Note: Philips Lumec reserves the right to modify the above details to reflect changes in the cost of materials and/or production and/or design without prior notice.

RA804 > ROUND TRADITIONAL ALUMINUM POLE



Base details



Comes with 4 anchor bolts,
8 nuts and 8 washers.
B.C. from: 6 3/4" to 10" (171 to 254 mm)

Specifications:

Pole: made from a one-piece, seamless 4" round (102 mm) tube of extruded aluminum welded to both the top and bottom of a cast-aluminum anchor plate.

A 2" by 4 1/2" (51 by 114 mm) maintenance opening is complete with cover and copper ground lug.

Base cover: decorative base cover made from two cast-aluminum pieces fastened together with stainless steel hardware around the base of the pole. Base cover is complete with a door to access the maintenance opening.

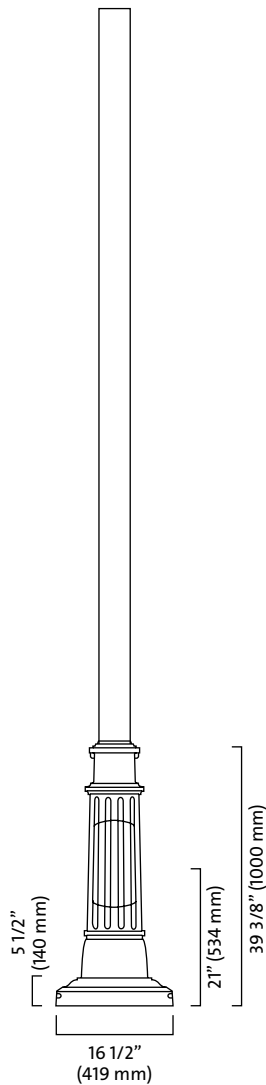
Finish: See page 142 for Finish details.

Options:

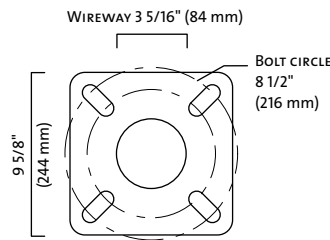
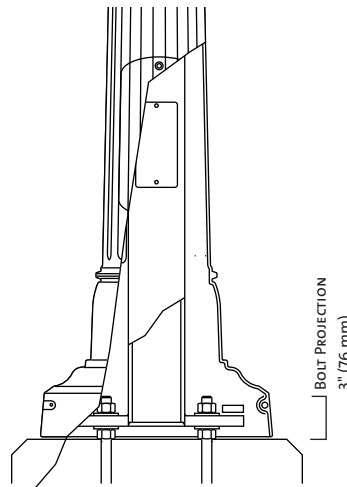
- DE:** Pole base buried 5' (1524 mm) in the ground (see page 133).
- LS:** Provision for loudspeaker outlet (see page 132)
- PH7:** Button-type photoelectric cell (specify operating voltage)
- PH8:** Quarter-turn type photoelectric cell (specify operating voltage)
- DR:** Duplex receptacle (120V line voltage, only)
- GFI:** DR with common ground fault interrupter (120V line voltage only)
- BA:** Banner arm (see page 136)
- PS:** Plant support (see page 137)
- MPL:** Mid-pole luminaire

Note: The recommended method for calculating EPA (Effective Projected Area) is in accordance with AASHTO 2001 standards: for three seconds, the pole is tested in wind gusts equivalent to the strongest winds on record over the past 50 years, and with a 50 pound load (22.7 kg) placed at 1 foot (305 mm) above its center.

CATALOG NUMBER	NOMINAL HEIGHT		TENON SECTION		WALL THICKNESS		WEIGHT		EPA RATING				ANCHOR BOLTS	
	ft	m	in	mm	in	mm	lbs	kg	90 MPH	110 MPH	120 MPH	150 MPH	in	mm
RA804F-8	8	2.44	4	102	0.125	3.2	33	15	10.18	6.55	5.38	3.34	3/4-20	19-508
RA804U-8	8	2.44	4	102	0.226	5.7	44	20	18.64	12.35	10.28	6.53	3/4-20	19-508
RA804F-10	10	3.05	4	102	0.125	3.2	36	16	7.7	4.73	3.79	2.27	3/4-20	19-508
RA804U-10	10	3.05	4	102	0.226	5.7	50	23	14.58	9.44	7.78	4.87	3/4-20	19-508
RA804F-12	12	3.66	4	102	0.125	3.2	40	18	5.86	3.36	2.58	1.45	3/4-20	19-508
RA804U-12	12	3.66	4	102	0.226	5.7	56	25	11.65	7.31	5.94	3.64	3/4-20	19-508
RA804W-12	12	3.66	4	102	0.318	8.1	70	32	16.27	10.5	8.64	5.4	3/4-20	19-508
RA804F-14	14	4.27	4	102	0.125	3.2	43	20	4.44	2.27	1.63	-	3/4-20	19-508
RA804U-14	14	4.27	4	102	0.226	5.7	63	29	9.38	5.67	4.5	2.68	3/4-20	19-508
RA804W-14	14	4.27	4	102	0.318	8.1	79	36	13.34	8.4	6.82	4.18	3/4-20	19-508
RA804F-15	15	4.57	4	102	0.125	3.2	45	20	3.81	1.8	1.19	-	3/4-20	19-508
RA804U-15	15	4.57	4	102	0.226	5.7	66	30	8.42	4.97	3.88	2.25	3/4-20	19-508
RA804W-15	15	4.57	4	102	0.318	8.1	83	38	11.84	7.25	5.82	3.5	3/4-20	19-508
RA804F-16	16	4.88	4	102	0.125	3.2	47	21	3.27	1.36	-	-	3/4-20	19-508
RA804U-16	16	4.88	4	102	0.226	5.7	69	31	7.15	4.05	3.13	1.77	3/4-20	19-508
RA804W-16	16	4.88	4	102	0.318	8.1	87	40	10.06	6	4.76	2.82	3/4-20	19-508
RA804U-18	18	5.49	4	102	0.226	5.7	75	34	5.55	3.15	2.27	1.16	3/4-27	19-686
RA804W-18	18	5.49	4	102	0.318	8.1	96	44	7.78	4.67	3.7	2.19	3/4-27	19-686
RA804W-20	20	6.10	4	102	0.318	8.1	105	48	6.31	3.83	2.92	1.57	3/4-27	19-686



Base details



Comes with 4 anchor bolts, 8 nuts and 8 washers.
B.C. from: 6 3/4" to 10 1/2" (171 to 267 mm)

Specifications:

Pole: made from a one-piece, 4" round (102 mm) tube of high-tensile carbon steel sealed by a rolled and flattened vertical weld seam and welded to both the top and bottom of a steel anchor plate. A 2" by 4 1/2" (51 by 114 mm) maintenance opening is complete with cover and copper ground lug.

Base cover: decorative base cover made from two cast-aluminum pieces fastened together with stainless steel hardware around the base of the pole. Base cover is complete with a door to access the maintenance opening.

Finish: See page 142 for Finish details.

Options:

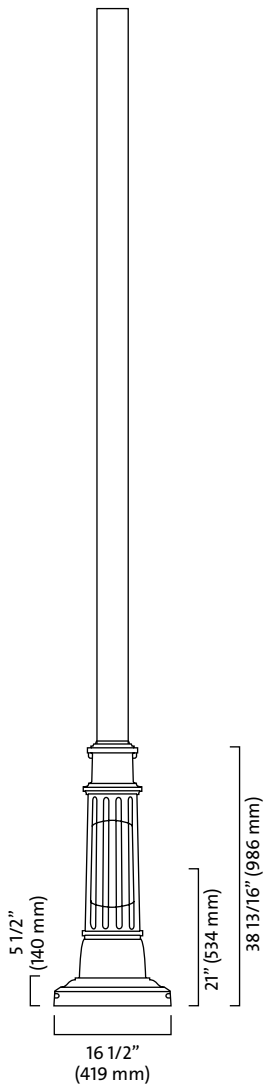
- DE:** Pole base buried 5' (1524 mm) in the ground (see page 133).
- LS:** Provision for loudspeaker outlet (see page 132)
- PH7:** Button-type photoelectric cell (specify operating voltage)
- PH8:** Quarter-turn type photoelectric cell (specify operating voltage)
- DR:** Duplex receptacle (120V line voltage only)
- GFI:** DR with common ground fault interrupter (120V line voltage only)
- BA:** Banner arm (see page 136)
- PS:** Plant support (see page 137)
- MPL:** Mid-pole luminaire

Note: The recommended method for calculating EPA (Effective Projected Area) is in accordance with AASHTO 2001 standards: for three seconds, the pole is tested in wind gusts equivalent to the strongest winds on record over the past 50 years, and with a 50 pound load (22.7 kg) placed at 1 foot (305 mm) above its center.

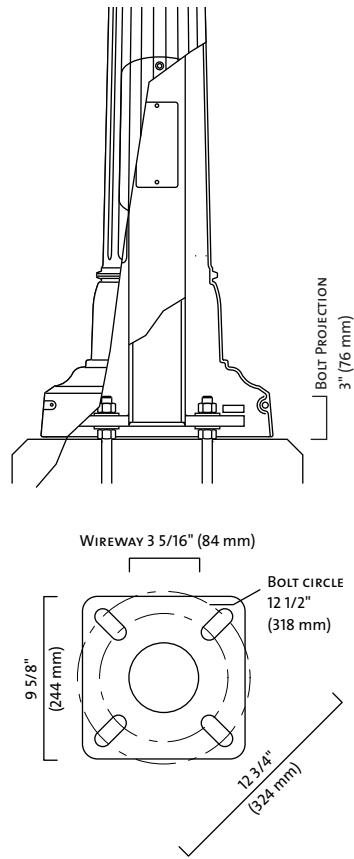
CATALOG NUMBER	NOMINAL HEIGHT		TENON SECTION		WALL THICKNESS		WEIGHT		EPA RATING				ANCHOR BOLTS	
	ft	m	in	mm	in	mm	lbs	kg	90 MPH	110 MPH	120 MPH	150 MPH	in	mm
RS804D-8	8	2.44	4	102	0.120	3.0	67	30	24.8	16.65	13.96	8.95	3/4-20	19-508
RS804D-10	10	3.05	4	102	0.120	3.0	77	35	19.38	12.85	10.71	6.81	3/4-20	19-508
RS804N-10	10	3.05	4	102	0.188	4.8	106	48	28.85	19.4	16.27	10.44	3/4-20	19-508
RS804D-12	12	3.66	4	102	0.120	3.0	87	39	15.49	10.1	8.33	5.24	3/4-20	19-508
RS804N-12	12	3.66	4	102	0.188	4.8	122	55	23.34	15.54	12.96	8.27	3/4-20	19-508
RS804D-14	14	4.27	4	102	0.120	3.0	97	44	12.55	7.98	6.49	4.01	3/4-20	19-508
RS804N-14	14	4.27	4	102	0.188	4.8	137	62	19.2	12.61	10.44	6.61	3/4-20	19-508
RS804V-14	14	4.27	4	102	0.250	6.4	172	78	26.35	17.6	14.69	9.4	3/4-20	19-508
RS804D-15	15	4.57	4	102	0.120	3.0	102	46	11.31	7.08	5.73	3.5	3/4-20	19-508
RS804N-15	15	4.57	4	102	0.188	4.8	145	66	17.47	11.38	9.36	5.9	3/4-20	19-508
RS804V-15	15	4.57	4	102	0.250	6.4	182	83	24.1	16.02	13.32	8.48	3/4-20	19-508
RS804D-16	16	4.88	4	102	0.120	3.0	107	49	11.31	7.08	5.73	3.5	3/4-20	19-508
RS804N-16	16	4.88	4	102	0.188	4.8	152	69	15.98	10.31	8.45	5.28	3/4-20	19-508
RS804V-16	16	4.88	4	102	0.250	6.4	192	87	22.17	14.63	12.15	7.72	3/4-20	19-508
RS804D-18	18	5.49	4	102	0.120	3.0	117	53	8.15	4.77	3.69	2.12	3/4-27	19-686
RS804N-18	18	5.49	4	102	0.188	4.8	167	76	13.05	8.19	6.62	4.05	3/4-27	19-686
RS804V-18	18	5.49	4	102	0.250	6.4	212	96	18.3	11.88	9.77	6.14	3/4-27	19-686
RS804D-20	20	6.10	4	102	0.120	3.0	127	58	6.43	3.5	2.56	1.36	3/4-27	19-686
RS804N-20	20	6.10	4	102	0.188	4.8	182	83	10.65	6.46	5.11	3.03	3/4-27	19-686
RS804V-20	20	6.10	4	102	0.250	6.4	232	105	15.16	9.65	7.84	4.85	3/4-27	19-686

Note: Philips Lumec reserves the right to modify the above details to reflect changes in the cost of materials and/or production and/or design without prior notice.

RA805 > ROUND TRADITIONAL ALUMINUM POLE



Base details



Comes with 4 anchor bolts,
8 nuts and 8 washers.
B.C. from: 9 1/4" to 12 3/4" (235 to 324 mm)

Specifications:

Pole: made from a one-piece, seamless 5" round (127 mm) tube of extruded aluminum welded to both the top and bottom of a cast-aluminum anchor plate.

A 2" by 4 1/2" (51 by 114 mm) maintenance opening is complete with cover and copper ground lug.

Base cover: decorative base cover made from two cast-aluminum pieces fastened together with stainless steel hardware around the base of the pole. Base cover is complete with a door to access the maintenance opening.

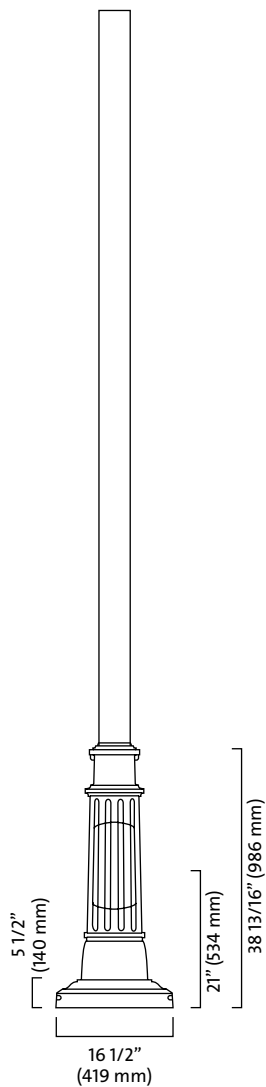
Finish: See page 142 for Finish details.

Options:

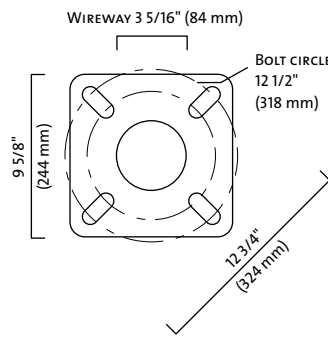
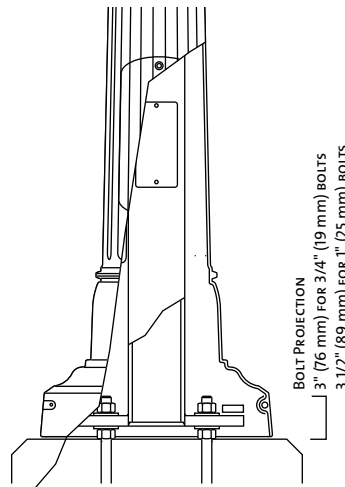
- DE:** Pole base buried 5' (1524 mm) in the ground (see page 133).
- LS:** Provision for loudspeaker outlet (see page 132)
- PH7:** Button-type photoelectric cell (specify operating voltage)
- PH8:** Quarter-turn type photoelectric cell (specify operating voltage)
- PH9:** Shorting cap for single phase only
- DR:** Duplex receptacle (120V line voltage. only)
- GFI:** DR with common ground fault interrupter (120V line voltage only)
- BA:** Banner arm (see page 136)
- PS:** Plant support (see page 137)
- MPL:** Mid-pole luminaire

Note: The recommended method for calculating EPA (Effective Projected Area) is in accordance with AASHTO 2001 standards: for three seconds, the pole is tested in wind gusts equivalent to the strongest winds on record over the past 50 years, and with a 50 pound load (22.7 kg) placed at 1 foot (305 mm) above its center.

CATALOG NUMBER	NOMINAL HEIGHT		TENON SECTION		WALL THICKNESS		WEIGHT		EPA RATING				ANCHOR BOLTS	
	ft	m	in	mm	in	mm	lbs	kg	90 MPH	110 MPH	120 MPH	150 MPH	in	mm
RA805E-12	12	3.66	5	127	0.170	4.3	61	28	14.55	9.57	7.99	4.97	3/4-20	19-508
RA805S-12	12	3.66	5	127	0.219	5.6	71	32	19.09	12.68	10.62	6.68	3/4-20	19-508
RA805R-12	12	3.66	5	127	0.247	6.2	77	35	21.72	14.46	12.13	7.66	3/4-20	19-508
RA805E-14	14	4.27	5	127	0.170	4.3	67	30	11.76	7.6	6.31	3.85	3/4-20	19-508
RA805S-14	14	4.27	5	127	0.219	5.6	78	35	15.67	10.3	8.58	5.32	3/4-20	19-508
RA805R-14	14	4.27	5	127	0.247	6.2	86	39	17.92	11.82	9.89	6.17	3/4-20	19-508
RA805E-15	15	4.57	5	127	0.170	4.3	70	32	10.59	6.78	5.61	3.38	3/4-20	19-508
RA805S-15	15	4.57	5	127	0.219	5.6	82	37	14.24	9.28	7.72	4.76	3/4-20	19-508
RA805R-15	15	4.57	5	127	0.247	6.2	90	41	16.33	10.71	8.95	5.55	3/4-20	19-508
RA805E-16	16	4.88	5	127	0.170	4.3	73	33	9.57	6.06	4.97	2.97	3/4-20	19-508
RA805S-16	16	4.88	5	127	0.219	5.6	86	39	12.33	7.95	6.58	4.01	3/4-20	19-508
RA805R-16	16	4.88	5	127	0.247	6.2	94	43	14.34	9.3	7.74	4.76	3/4-20	19-508
RA805E-18	18	5.49	5	127	0.170	4.3	79	36	7.54	4.61	3.74	2.13	3/4-27	19-686
RA805S-18	18	5.49	5	127	0.219	5.6	94	43	9.95	6.25	5.14	3.03	3/4-27	19-686
RA805R-18	18	5.49	5	127	0.247	6.2	103	47	11.67	7.45	6.14	3.69	3/4-27	19-686
RA805E-20	20	6.10	5	127	0.170	4.3	85	39	5.86	3.41	2.72	1.45	3/4-27	19-686
RA805S-20	20	6.10	5	127	0.219	5.6	102	46	7.95	4.85	3.94	2.23	3/4-27	19-686
RA805R-20	20	6.10	5	127	0.247	6.2	112	51	9.48	5.9	4.83	2.8	3/4-27	19-686



Base details



Comes with 4 anchor bolts, 8 nuts and 8 washers.
 BLN 3/4" B.C. from: 8" to 12 1/2" (203 to 324 mm)
 BLN 1" B.C. from: 8" to 12 7/8" (203 to 327 mm)

Specifications:

Pole: made from a one-piece, 5" round (127 mm) tube of high-tensile carbon steel sealed by a rolled and flattened vertical weld seam and welded to both the top and bottom of a steel anchor plate.

A 2" by 4 1/2" (51 by 114 mm) maintenance opening is complete with cover and copper ground lug.

Base cover: decorative base cover made from two cast-aluminum pieces fastened together with stainless steel hardware around the base of the pole. Base cover is complete with a door to access the maintenance opening.

Finish: See page 142 for Finish details.

Options:

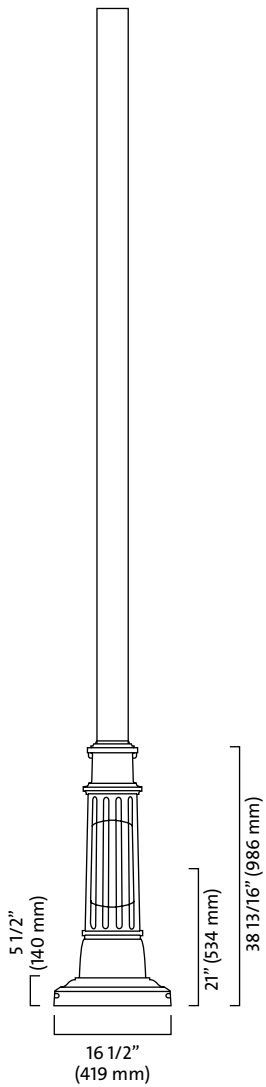
- DE:** Pole base buried 5' (1524 mm) in the ground (see page 133).
- LS:** Provision for loudspeaker outlet (see page 132)
- PH7:** Button-type photoelectric cell (specify operating voltage)
- PH8:** Quarter-turn type photoelectric cell (specify operating voltage)
- DR:** Duplex receptacle (120V line voltage. only)
- GFI:** DR with common ground fault interrupter (120V line voltage only)
- BA:** Banner arm (see page 136)
- PS:** Plant support (see page 137)
- MPL:** Mid-pole luminaire

Note: The recommended method for calculating EPA (Effective Projected Area) is in accordance with AASHTO 2001 standards: for three seconds, the pole is tested in wind gusts equivalent to the strongest winds on record over the past 50 years, and with a 50 pound load (22.7 kg) placed at 1 foot (305 mm) above its center.

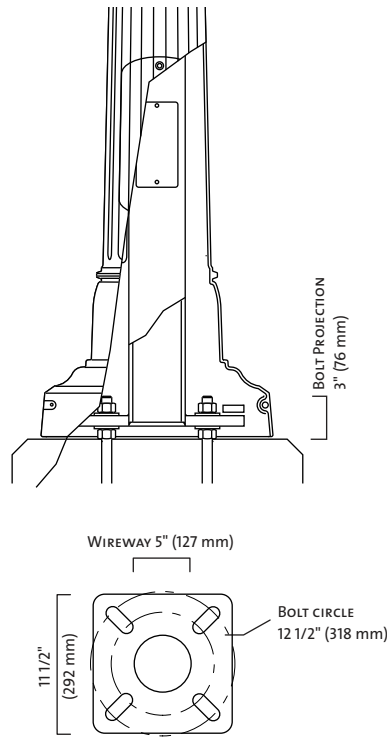
CATALOG NUMBER	NOMINAL HEIGHT		TENON SECTION		WALL THICKNESS		WEIGHT		EPA RATING				ANCHOR BOLTS	
	ft	m	in	mm	in	mm	lbs	kg	90 MPH	110 MPH	120 MPH	150 MPH	in	mm
RS805C-14	14	4.27	5	127	0.150	3.8	145	66	26.73	18.07	15.22	9.71	3/4-20	19-508
RS805J-14	14	4.27	5	127	0.180	4.6	166	75	30	21.84	18.42	11.8	3/4-20	19-508
RS805V-14	14	4.27	5	127	0.250	6.4	213	97	30	30	25.56	16.47	3/4-20	19-508
RS805C-15	15	4.57	5	127	0.150	3.8	153	69	24.44	16.49	13.87	8.83	3/4-20	19-508
RS805J-15	15	4.57	5	127	0.180	4.6	175	79	29.52	19.99	16.86	10.77	3/4-20	19-508
RS805V-15	15	4.57	5	127	0.250	6.4	226	103	30	27.82	23.5	15.12	3/4-20	19-508
RS805C-16	16	4.88	5	127	0.150	3.8	160	73	22.49	15.13	12.73	8.07	3/4-20	19-508
RS805J-16	16	4.88	5	127	0.180	4.6	184	83	27.23	18.42	15.51	9.89	3/4-20	19-508
RS805V-16	16	4.88	5	127	0.250	6.4	239	108	30	25.74	21.74	13.99	3/4-20	19-508
RS805C-18	18	5.49	5	127	0.150	3.8	175	79	18.56	12.39	10.38	6.51	1-36	25-914
RS805J-18	18	5.49	5	127	0.180	4.6	203	92	22.63	15.22	12.8	8.1	1-36	25-914
RS805V-18	18	5.49	5	127	0.250	6.4	264	120	30	21.51	18.15	11.61	1-36	25-914
RS805C-20	20	6.10	5	127	0.150	3.8	190	86	15.37	10.15	8.48	5.24	1-36	25-914
RS805J-20	20	6.10	5	127	0.180	4.6	220	100	18.91	12.61	10.57	6.61	1-36	25-914
RS805V-20	20	6.10	5	127	0.250	6.4	289	131	26.74	18.09	15.22	9.69	1-36	25-914
RS805C-22	22	6.71	5	127	0.150	3.8	205	93	12.72	8.27	6.86	4.17	1-36	25-914
RS805V-22	22	6.71	5	127	0.250	6.4	315	143	22.68	15.24	12.8	8.07	1-36	25-914
RS805V-25	25	7.62	5	127	0.250	6.4	352	160	17.72	11.74	9.81	6.08	1-36	25-914
RS805V-30	30	9.14	5	127	0.250	6.4	416	189	11.41	7.25	5.96	3.48	1-36	25-914

Note: Philips Lumec reserves the right to modify the above details to reflect changes in the cost of materials and/or production and/or design without prior notice.

RA856 > ROUND TRADITIONAL ALUMINUM POLE



Base details



Comes with 4 anchor bolts,
8 nuts and 8 washers.
B.C. from: 9 1/4" to 12 3/4" (235 to 324 mm)

Specifications:

Pole: made from a one-piece, seamless 5 9/16" round (141 mm) tube of extruded aluminum welded to both the top and bottom of a cast-aluminum anchor plate.

A 2" by 4 1/2" (51 by 114 mm) maintenance opening is complete with cover and copper ground lug.

Base cover: decorative base cover made from two cast-aluminum pieces fastened together with stainless steel hardware around the base of the pole. Base cover is complete with a door to access the maintenance opening.

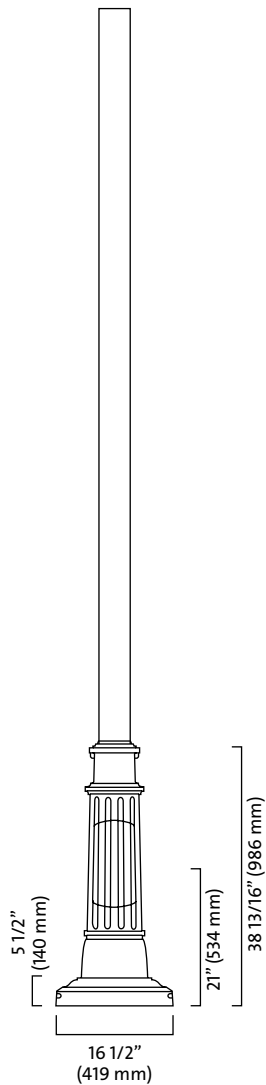
Finish: See page 142 for Finish details.

Options:

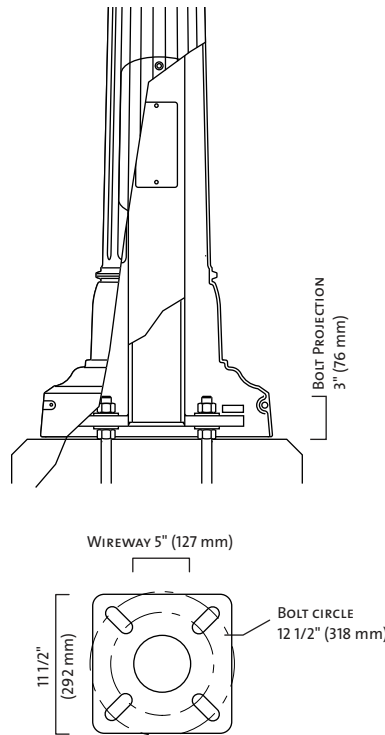
- DE:** Pole base buried 5' (1524 mm) in the ground (see page 133).
- LS:** Provision for loudspeaker outlet (see page 132)
- PH7:** Button-type photoelectric cell (specify operating voltage)
- PH8:** Quarter-turn type photoelectric cell (specify operating voltage)
- DR:** Duplex receptacle (120V line voltage only)
- GFI:** DR with common ground fault interrupter (120V line voltage only)
- BA:** Banner arm (see page 136)
- PS:** Plant support (see page 137)
- MPL:** Mid-pole luminaire

Note: The recommended method for calculating EPA (Effective Projected Area) is in accordance with AASHTO 2001 standards: for three seconds, the pole is tested in wind gusts equivalent to the strongest winds on record over the past 50 years, and with a 50 pound load (22.7 kg) placed at 1 foot (305 mm) above its center.

CATALOG NUMBER	NOMINAL HEIGHT		TENON SECTION		WALL THICKNESS		WEIGHT		EPA RATING				ANCHOR BOLTS	
	ft	m	in	mm	in	mm	lbs	kg	90 MPH	110 MPH	120 MPH	150 MPH	in	mm
RA856V-8	8	2.44	5 9/16	141	0.258	6.6	66	30	30	29.28	24.71	15.86	3/4-20	19-508
RA856V-10	10	3.55	5 9/16	141	0.258	6.6	76	34	30	23.31	19.63	12.56	3/4-20	19-508
RA856V-12	12	3.66	5 9/16	141	0.258	6.6	86	39	28.26	19.05	16.01	10.18	3/4-20	19-508
RA856V-14	14	4.27	5 9/16	141	0.258	6.6	96	44	23.58	15.81	13.25	8.36	3/4-20	19-508
RA856V-16	16	4.88	5 9/16	141	0.258	6.6	106	48	19.94	13.3	11.12	6.96	3/4-20	19-508
RA856V-18	18	5.49	5 9/16	141	0.258	6.6	116	53	16.55	10.94	9.1	5.61	3/4-27	19-508
RA856V-20	20	6.10	5 9/16	141	0.258	6.6	126	57	13.75	9.01	7.46	4.52	3/4-27	19-508
RA856V-22	22	6.71	5 9/16	141	0.258	6.6	136	62	11.44	7.39	6.08	3.6	3/4-27	19-508



Base details



Comes with 4 anchor bolts,
8 nuts and 8 washers.
B.C. from: 8 1/2" to 13" (216 to 330 mm)

Specifications:

Pole: made from a one-piece, seamless 5 9/16" round (141 mm) tube of extruded aluminum welded to both the top and bottom of a cast-aluminum anchor plate.

A 2" by 4 1/2" (51 by 114 mm) maintenance opening is complete with cover and copper ground lug.

Base cover: decorative base cover made from two cast-aluminum pieces fastened together with stainless steel hardware around the base of the pole. Base cover is complete with a door to access the maintenance opening.

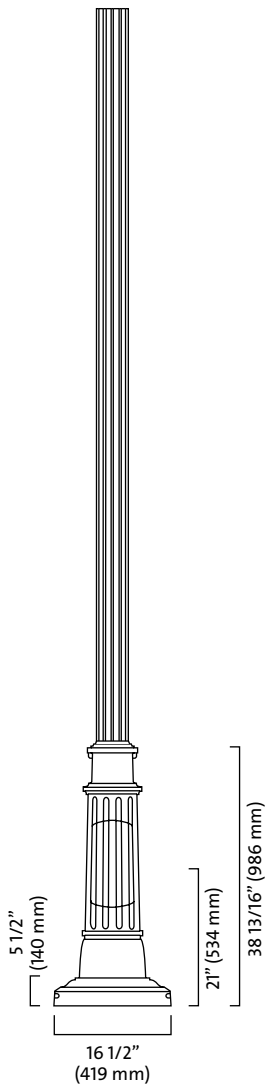
Finish: See page 142 for Finish details.

Options:

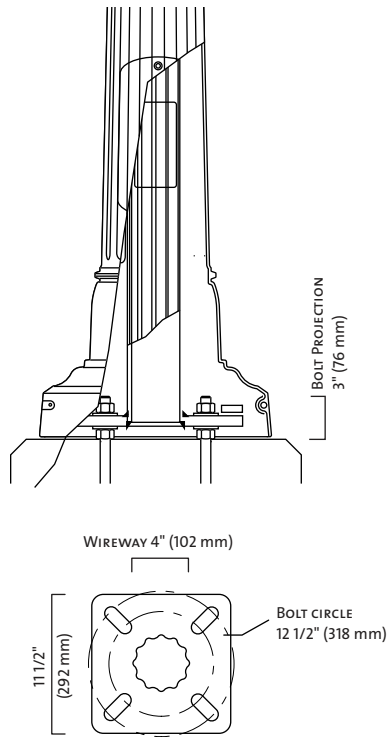
- DE:** Pole base buried 5' (1524 mm) in the ground (see details on page 133).
- LS:** Provision for loudspeaker outlet (see page 132)
- PH7:** Button-type photoelectric cell (specify operating voltage)
- PH8:** Quarter-turn type photoelectric cell (specify operating voltage)
- DR:** Duplex receptacle (120V line voltage, only)
- GFI:** DR with common ground fault interrupter (120V line voltage only)
- BA:** Banner arm (see page 136)
- PS:** Plant support (see page 137)
- MPL:** Mid-pole luminaire

Note: The recommended method for calculating EPA (Effective Projected Area) is in accordance with AASHTO 2001 standards: for three seconds, the pole is tested in wind gusts equivalent to the strongest winds on record over the past 50 years, and with a 50 pound load (22.7 kg) placed at 1 foot (305 mm) above its center.

CATALOG NUMBER	NOMINAL HEIGHT		TENON SECTION		WALL THICKNESS		WEIGHT		EPA RATING				ANCHOR BOLTS	
	ft	m	in	mm	in	mm	lbs	kg	90 MPH	110 MPH	120 MPH	150 MPH	in	mm
RS856V-12	12	3.66	5 9/16	141	0.250	6.4	218	99	30	30	30	25.12	1-36	25-914
RS856V-14	14	4.27	5 9/16	141	0.250	6.4	247	112	30	30	30	21.14	1-36	25-914
RS856V-16	16	4.88	5 9/16	141	0.250	6.4	277	126	30	30	28.11	18.12	1-36	25-914
RS856V-18	18	5.49	5 9/16	141	0.250	6.4	306	139	30	28.05	23.72	15.22	1-36	25-914
RS856V-20	20	6.10	5 9/16	141	0.250	6.4	335	152	30	23.87	20.14	12.89	1-36	25-914
RS856V-22	22	6.71	5 9/16	141	0.250	6.4	364	165	29.95	20.41	17.19	10.94	1-36	25-914
RS856V-24	24	7.32	5 9/16	141	0.250	6.4	394	179	25.74	17.48	14.69	9.3	1-36	25-914
RS856V-26	26	7.92	5 9/16	141	0.250	6.4	423	192	22.13	14.96	12.55	7.86	1-36	25-914
RS856V-28	28	8.53	5 9/16	141	0.250	6.4	452	205	19.03	12.76	10.66	6.61	1-36	25-914
RS856V-30	30	9.14	5 9/16	141	0.250	6.4	481	218	16.25	10.83	8.99	5.49	1-36	25-914



Base details



Comes with 4 anchor bolts,
8 nuts and 8 washers.
B.C. from: 9 1/4" to 12 3/4" (235 to 324 mm)

Specifications:

Pole: made from a one-piece seamless 12 flute, 5" round (127 mm) tube of extruded aluminum, welded to a cast-aluminum anchor plate. A 2" by 4 1/2" (51 by 114 mm) maintenance opening is complete with cover and copper ground lug.

Base cover: decorative base cover made from two cast-aluminum pieces fastened together with stainless steel hardware around the base of the pole. Base cover is complete with a door to access the maintenance opening.

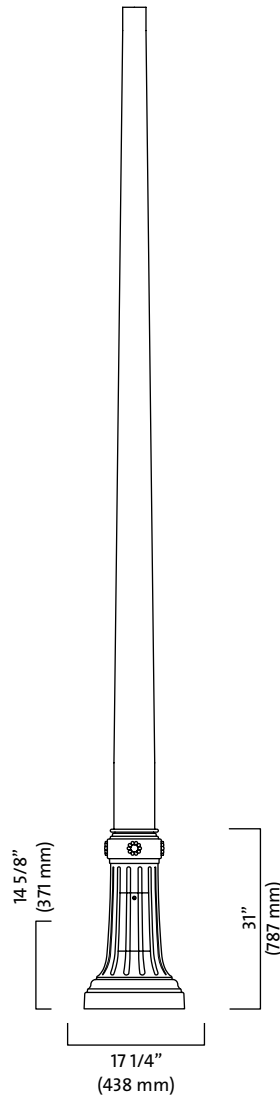
Finish: See page 142 for Finish details.

Options:

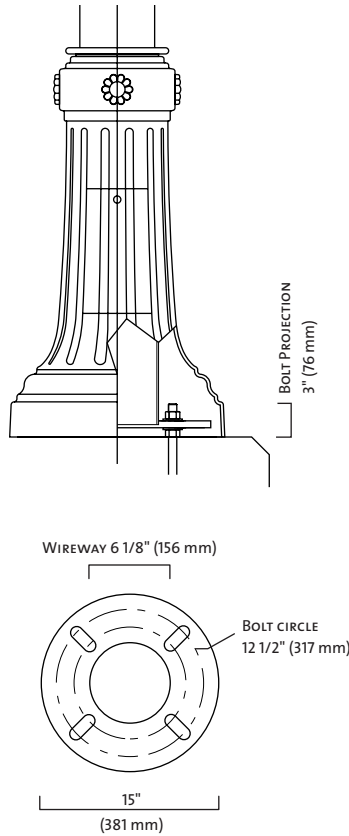
- LS:** Provision for loudspeaker outlet (see page 132)
- PH7:** Button-type photoelectric cell (specify operating voltage)
- PH8:** Quarter-turn type photoelectric cell (specify operating voltage)
- DR:** Duplex receptacle (120V line voltage only)
- GFI:** DR with common ground fault interrupter (120V line voltage only)
- BA:** Banner arm (see page 136)
- PS:** Plant support (see page 137)
- MPL:** Mid-pole luminaire

Note: The recommended method for calculating EPA (Effective Projected Area) is in accordance with AASHTO 2001 standards: for three seconds, the pole is tested in wind gusts equivalent to the strongest winds on record over the past 50 years, and with a 50 pound load (22.7 kg) placed at 1 foot (305 mm) above its center.

CATALOG NUMBER	NOMINAL HEIGHT		TENON SECTION		WALL THICKNESS		WEIGHT		EPA RATING				ANCHOR BOLTS	
	ft	m	in	mm	in	mm	lbs	kg	90 MPH	110 MPH	120 MPH	150 MPH	in	mm
RAF805-8	8	2.44	5	127	0.208	5.2	47	21	27.56	18.4	15.4	9.61	3/4-20	19-508
RAF805-10	10	3.05	5	127	0.208	5.2	55	25	21.78	14.34	11.92	7.25	3/4-20	19-508
RAF805-12	12	3.66	5	127	0.208	5.2	63	29	17.56	11.35	9.34	5.49	3/4-20	19-508
RAF805-14	14	4.27	5	127	0.208	5.2	70	32	14.32	9.03	7.33	4.09	3/4-20	19-508
RAF805-15	15	4.57	5	127	0.208	5.2	74	34	12.93	8.05	6.47	3.5	3/4-20	19-508
RAF805-16	16	4.88	5	127	0.208	5.2	78	35	11.76	7.19	5.73	2.95	3/4-20	19-508
RAF805-18	18	5.49	5	127	0.208	5.2	85	39	9.36	5.47	4.22	1.92	3/4-27	19-508
RAF805-20	20	6.10	5	127	0.208	5.2	93	42	7.4	4.03	2.97	1.02	3/4-27	19-508



Base details



Comes with 4 anchor bolts,
8 nuts and 8 washers.
B.C. from: 10" to 13" (254 to 330 mm)

Specifications:

Pole: made from tapered 6" to 4" (152 to 102 mm) & 7" to 4" (178 to 102 mm) round aluminum shaft welded to a 6 5/8" round (168 mm) extruded aluminum pole base which is welded top and bottom to a cast-aluminum anchor plate. After tapering and welding, the entire shaft assembly is heat-treated to T6 temper.

A 4 1/2" by 10" (114 by 254 mm) maintenance opening is complete with cover and copper ground lug.

Base cover: decorative base cover made from two cast-aluminum pieces fastened together with stainless steel hardware around the base of the pole. Base cover is complete with a door to access the maintenance opening.

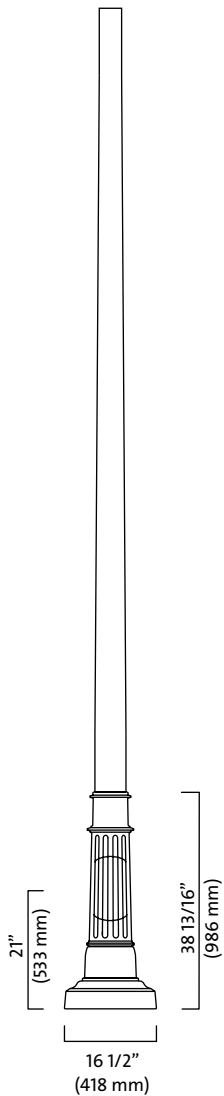
Options:

- LS:** Provision for loudspeaker outlet (see page 132)
- PH7:** Button-type photoelectric cell (specify operating voltage)
- DR:** Duplex receptacle (120V line voltage only)
- GFI:** DR with common ground fault interrupter (120V line voltage only)
- BA:** Banner arm (see page 136)
- PS:** Plant support (see page 137)
- MPL:** Mid-pole luminaire

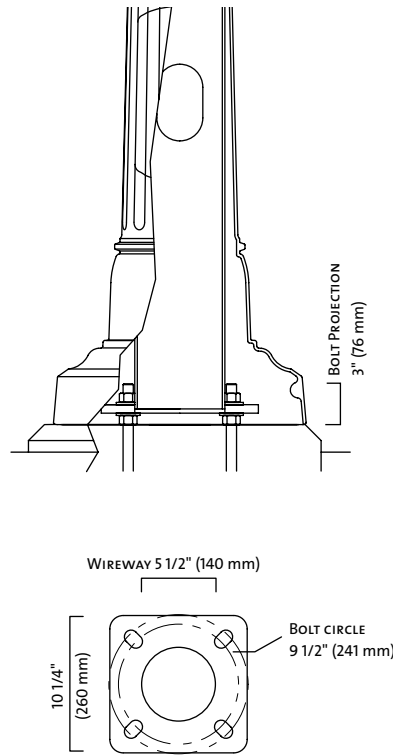
Note: The recommended method for calculating EPA (Effective Projected Area) is in accordance with AASHTO 2001 standards: for three seconds, the pole is tested in wind gusts equivalent to the strongest winds on record over the past 50 years, and with a 50 pound load (22.7 kg) placed at 1 foot (305 mm) above its center.

CATALOG NUMBER	NOMINAL HEIGHT		TENON SECTION		WALL THICKNESS		WEIGHT		EPA RATING				ANCHOR BOLTS	
	ft	m	in	mm	in	mm	lbs	kg	90 MPH	110 MPH	120 MPH	150 MPH	in	mm
RTA126F-10	10	3.05	4	102	0.125	3.2	74	34	27.17	18.42	15.53	9.97	3/4 x 20	19-508
RTA126V-10	10	3.05	4	102	0.250	6.4	92	42	30	30	30	20.61	3/4 x 20	19-508
RTA126F-12	12	3.66	4	102	0.125	3.2	79	36	21.49	14.46	12.17	7.76	3/4 x 20	19-508
RTA126V-12	12	3.66	4	102	0.250	6.4	100	45	30	30	25.53	16.43	3/4 x 20	19-508
RTA126F-14	14	4.27	4	102	0.125	3.2	83	38	17.35	11.59	9.71	6.14	3/4 x 20	19-508
RTA126V-14	14	4.27	4	102	0.250	6.4	108	49	30	24.83	20.94	13.43	3/4 x 20	19-508
RTA126V-16	16	4.88	4	102	0.250	6.4	114	52	30	20.84	17.56	11.21	3/4 x 20	19-508
RTA127V-16	16	4.88	4	102	0.250	6.4	126	57	30	25.39	21.25	13.4	3/4 x 20	19-508
RTA127B-18	18	5.49	4	102	0.156	4.0	117	53	21.41	14.32	12	7.58	3/4 x 27	19-686
RTA127V-18	18	5.49	4	102	0.250	6.4	137	62	30	21.53	17.97	11.25	3/4 x 27	19-686
RTA127B-20	20	6.1	4	102	0.156	4.0	124	56	17.95	11.8	9.87	6.16	3/4 x 27	19-686
RTA127V-20	20	6.1	4	102	0.250	6.4	142	64	28.24	18.36	15.28	9.48	3/4 x 27	19-686

Note: Philips Lumec reserves the right to modify the above details to reflect changes in the cost of materials and/or production and/or design without prior notice.



Base details



Comes with 4 anchor bolts,
8 nuts and 8 washers.
B.C. from: 9" to 10" (229 to 254 mm)

Specifications:

Pole: made from tapered 6" to 4" (152 to 102 mm) round aluminum shaft welded to a cast-aluminum anchor plate. After tapering and welding, the entire shaft assembly is heat-treated to T6 temper. A 3" by 5" (76 by 127 mm) maintenance opening is complete with cover and copper ground lug

Base cover: decorative base cover made from two cast-aluminum pieces fastened together with stainless steel hardware around the base of the pole. Base cover is complete with a door to access the maintenance opening.

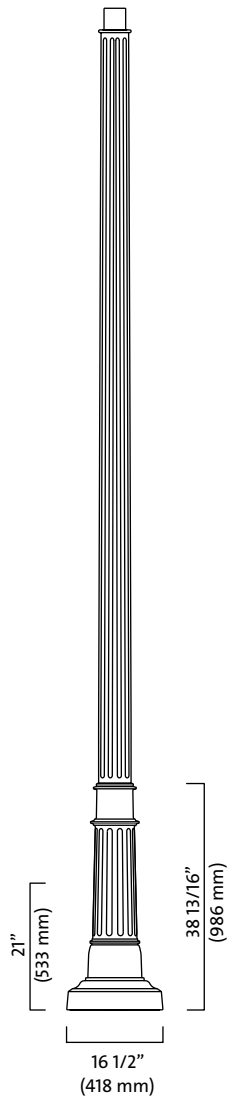
Finish: See page 142 for Finish details.

Options:

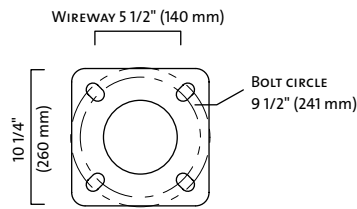
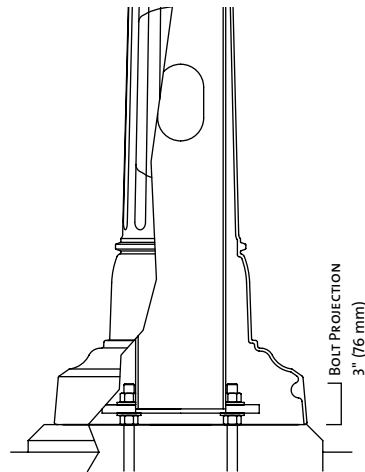
- LS:** Provision for loudspeaker outlet (see page 132)
- PH7:** Button-type photoelectric cell (specify operating voltage)
- DR:** Duplex receptacle (120V line voltage only)
- GFI:** DR with common ground fault interrupter (120V line voltage only)
- BA:** Banner arm (see page 136)
- PS:** Plant support (see page 137)
- MPL:** Mid-pole luminaire

Note: The recommended method for calculating EPA (Effective Projected Area) is in accordance with AASHTO 2001 standards: for three seconds, the pole is tested in wind gusts equivalent to the strongest winds on record over the past 50 years, and with a 50 pound load (22.7 kg) placed at 1 foot (305 mm) above its center.

CATALOG NUMBER	NOMINAL HEIGHT		TENON SECTION		WALL THICKNESS		WEIGHT		EPA RATING				ANCHOR BOLTS	
	ft	m	in	mm	in	mm	lbs	kg	90 MPH	110 MPH	120 MPH	150 MPH	in	mm
RTA800F-8	8	3.05	4	102	0.125	3.2	48	22	26.68	17.86	15.02	9.57	1-36	25-914
RTA800N-8	8	3.05	4	102	0.188	4.8	57	26	30	26.88	22.63	14.48	1-36	25-914
RTA800F-10	10	3.05	4	102	0.125	3.2	53	24	21.35	14.11	11.82	7.45	1-36	25-914
RTA800N-10	10	3.05	4	102	0.188	4.8	62	28	30	21.53	18.07	11.47	1-36	25-914
RTA800F-12	12	3.66	4	102	0.125	3.2	58	26	17.45	11.35	9.48	5.9	1-36	25-914
RTA800N-12	12	3.66	4	102	0.188	4.8	67	30	26.74	17.65	14.77	9.3	1-36	25-914
RTA800F-14	14	4.27	4	102	0.125	3.2	62	28	14.44	9.22	7.64	4.67	1-36	25-914
RTA800V-14	14	4.27	4	102	0.250	6.4	91	41	30	20.76	17.37	10.94	1-36	25-914
RTA800F-16	16	4.88	4	102	0.125	3.2	67	30	12.06	7.54	6.2	3.71	1-36	25-914
RTA800V-16	16	4.88	4	102	0.250	6.4	100	45	27.23	17.76	14.81	9.24	1-36	25-914
RTA800F-18	18	5.49	4	102	0.125	3.2	71	32	9.83	5.93	4.79	2.78	1-36	25-914
RTA800V-18	18	5.49	4	102	0.250	6.4	109	49	23.09	14.87	12.33	7.62	1-36	25-914
RTA800F-20	20	6.10	4	102	0.125	3.2	76	34	7.95	4.56	3.62	1.99	1-36	25-914
RTA800V-20	20	6.10	4	102	0.250	6.4	118	54	19.73	12.47	10.3	6.28	1-36	25-914



Base details



Comes with 4 anchor bolts,
8 nuts and 8 washers.
B.C. from: 9" to 10" (229 to 254 mm)

Specifications:

Pole: made from a 12 flute, mandrel-formed aluminum tapered shaft, welded top and bottom to a cast-aluminum anchor plate. After tapering and welding, the entire shaft assembly is heat-treated to T6 temper.

A 3" by 5" (76 by 127 mm) maintenance opening is complete with cover and copper ground lug.

Base cover: decorative base cover made from two cast-aluminum pieces fastened together with stainless steel hardware around the base of the pole. Base cover is complete with a door to access the maintenance opening.

Finish: See page 142 for Finish details.

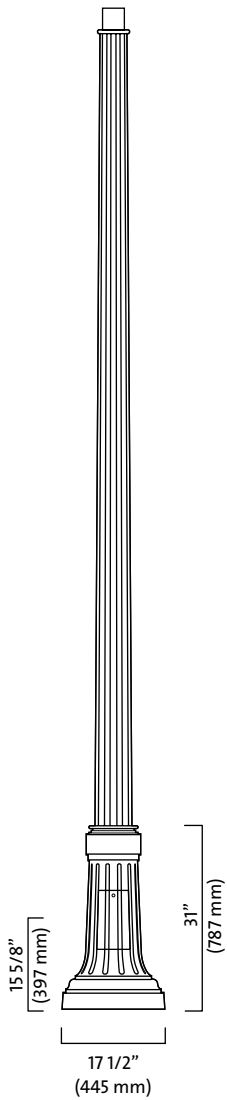
Options:

- LS:** Provision for loudspeaker outlet (see page 132)
- PH7:** Button-type photoelectric cell (specify operating voltage)
- DR:** Duplex receptacle (120V line voltage only)
- GFI:** DR with common ground fault interrupter (120V line voltage only)
- BA:** Banner arm (see page 136)
- PS:** Plant support (see page 137)
- MPL:** Mid-pole luminaire

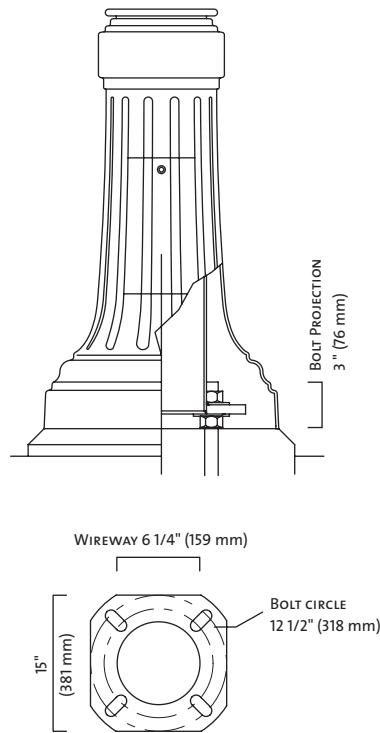
Note: The recommended method for calculating EPA (Effective Projected Area) is in accordance with AASHTO 2001 standards: for three seconds, the pole is tested in wind gusts equivalent to the strongest winds on record over the past 50 years, and with a 50 pound load (22.7 kg) placed at 1 foot (305 mm) above its center.

CATALOG NUMBER	NOMINAL HEIGHT		TENON SECTION		WALL THICKNESS		WEIGHT		EPA RATING				ANCHOR BOLTS	
	ft	m	in	mm	in	mm	lbs	kg	90 MPH	110 MPH	120 MPH	150 MPH	in	mm
RTAF800F-12	12	3.66	4	102	0.125	3.2	58	26	17.15	10.97	8.99	5.26	1-36	25-914
RTAF800V-12	12	3.66	4	102	0.250	4.8	83	38	30	24.26	20.2	12.47	1-36	25-914
RTAF800F-14	14	4.27	4	102	0.125	3.2	62	28	14.17	8.81	7.11	3.97	1-36	25-914
RTAF800V-14	14	4.27	4	102	0.250	6.4	91	41	30	20.34	16.84	10.22	1-36	25-914
RTAF800F-16	16	4.88	4	102	0.125	3.2	67	30	11.88	7.11	5.65	2.92	1-36	25-914
RTAF800V-16	16	4.88	4	102	0.250	6.4	100	45	27.06	17.33	14.26	8.46	1-36	25-914
RTAF800F-18	18	5.49	4	102	0.125	3.2	71	32	9.77	5.55	4.29	1.98	1-36	25-914
RTAF800V-18	18	5.49	4	102	0.250	6.4	109	49	23.03	14.52	11.82	6.81	1-36	25-914

Note: Philips Lumec reserves the right to modify the above details to reflect changes in the cost of materials and/or production and/or design without prior notice.



Base details



Comes with 4 anchor bolts,
8 nuts and 8 washers.
B.C. from: 11" to 13" (254 to 330 mm)

Specifications:

Pole: made from a 16 flute, mandrel-formed, tapered steel shaft welded to a 6 5/8" round (168 mm) steel pole base which is then welded top and bottom to a steel anchor plate.

A 4 1/2" by 10" (114 by 254 mm) maintenance opening is complete with cover and copper ground lug.

Base cover: decorative base cover made from two cast-aluminum pieces fastened together with stainless steel hardware around the base of the pole. Base cover is complete with a door to access the maintenance opening.

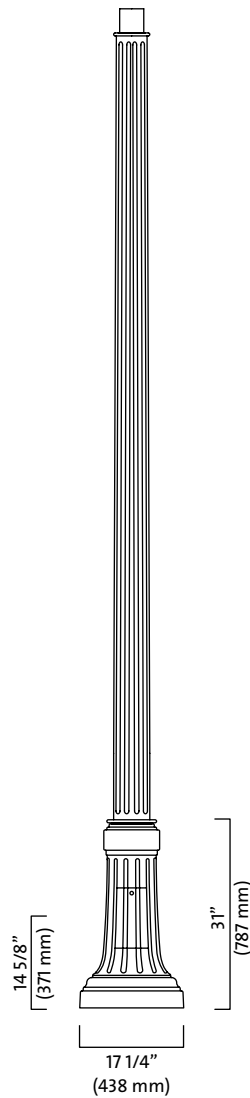
Finish: See page 142 for Finish details.

Options:

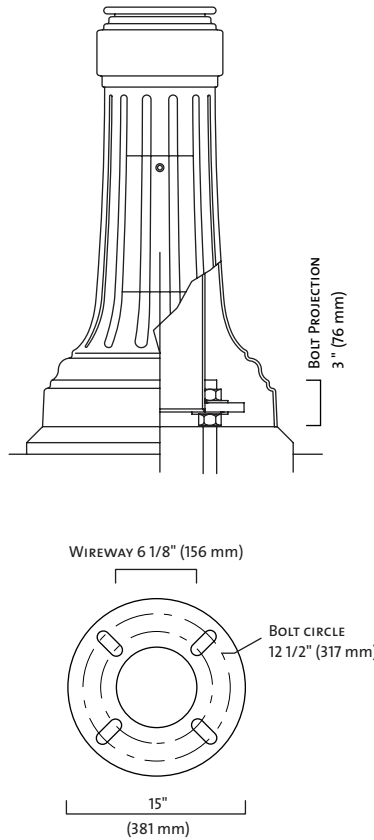
- LS:** Provision for loudspeaker outlet (see page 132)
- PH7:** Button-type photoelectric cell (specify operating voltage)
- DR:** Duplex receptacle (120V line voltage, only)
- GFI:** DR with common ground fault interrupter (120V line voltage only)
- BA:** Banner arm (see page 136)
- PS:** Plant support (see page 137)
- MPL:** Mid-pole luminaire

Note: The recommended method for calculating EPA (Effective Projected Area) is in accordance with AASHTO 2001 standards: for three seconds, the pole is tested in wind gusts equivalent to the strongest winds on record over the past 50 years, and with a 50 pound load (22.7 kg) placed at 1 foot (305 mm) above its center.

CATALOG NUMBER	NOMINAL HEIGHT		TENON SECTION		WALL THICKNESS		WEIGHT		EPA RATING				ANCHOR BOLTS	
	ft	m	in	mm	in	mm	lbs	kg	90 MPH	110 MPH	120 MPH	150 MPH	in	mm
R90D-10	10	3.05	4	102	0.120	3.0	125	56	30	30	30	22.4	3/4-27	19-686
R90D-12	12	3.66	4	102	0.120	3.0	141	64	30	30	30	19.61	3/4-27	19-686
R90D-14	14	4.27	4	102	0.120	3.0	157	71	30	30	27.5	17.62	3/4-27	19-686
R90D-15	15	4.57	4	102	0.120	3.0	166	75	30	30	26.29	16.83	3/4-27	19-686
R90D-16	16	4.88	4	102	0.120	3.0	175	79	30	30	25.33	16.22	3/4-27	19-686
R90D-18	18	5.49	4	102	0.120	3.0	193	88	30	27.41	22.99	14.69	3/4-27	19-686
R90D-20	20	6.10	4	102	0.120	3.0	212	96	30	25.2	21.14	13.66	3/4-27	19-686



Base details



Comes with 4 anchor bolts,
8 nuts and 8 washers.
B.C. from: 10" to 13" (254 to 330 mm)

Specifications:

Pole: made from a 12 flute, mandrel-formed, aluminum tapered shaft 6 & 7" round (152 & 178 mm) welded to a 6 5/8" round (168 mm) extruded aluminum pole base which is welded top and bottom to a cast-aluminum anchor plate. After tapering, forming and welding, the entire shaft assembly is heat-treated to T6 temper.

A 4 1/2" by 10" (114 by 254 mm) maintenance opening is complete with cover and copper ground lug.

Base cover: decorative base cover made from two cast-aluminum pieces fastened together with stainless steel hardware around the base of the pole. Base cover is complete with a door to access the maintenance opening.

Finish: See page 142 for Finish details.

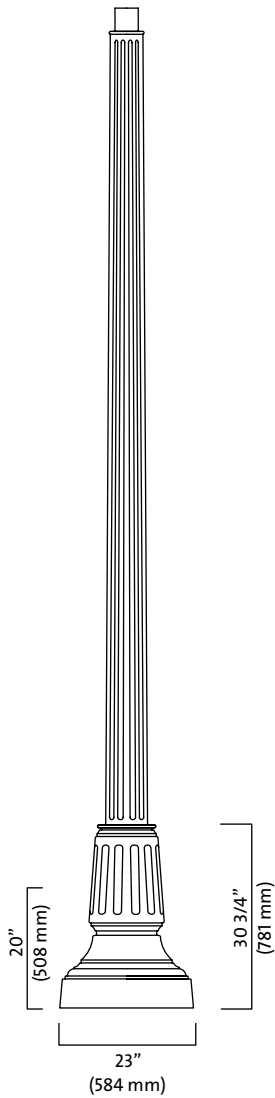
Options:

- LS:** Provision for loudspeaker outlet (see page 132)
- PH7:** Button-type photoelectric cell (specify operating voltage)
- DR:** Duplex receptacle (120V line voltage only)
- GFI:** DR with common ground fault interrupter (120V line voltage only)
- BA:** Banner arm (see page 136)
- PS:** Plant support (see page 137)
- MPL:** Mid-pole luminaire

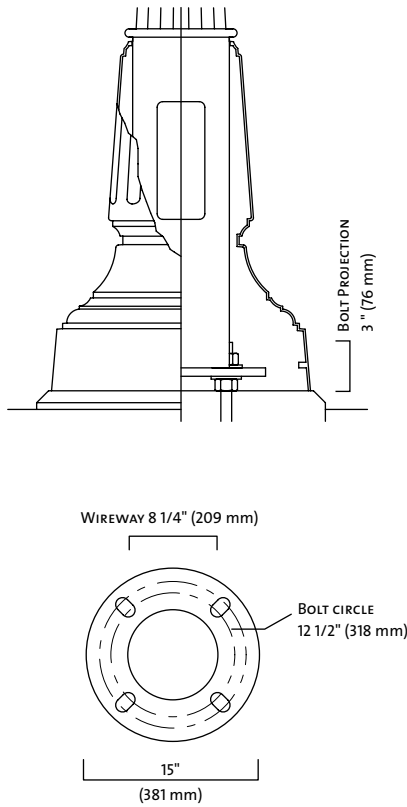
Note: The recommended method for calculating EPA (Effective Projected Area) is in accordance with AASHTO 2001 standards: for three seconds, the pole is tested in wind gusts equivalent to the strongest winds on record over the past 50 years, and with a 50 pound load (22.7 kg) placed at 1 foot (305 mm) above its center.

CATALOG NUMBER	NOMINAL HEIGHT		TENON SECTION		WALL THICKNESS		WEIGHT		EPA RATING				ANCHOR BOLTS	
	ft	m	in	mm	in	mm	lbs	kg	90 MPH	110 MPH	120 MPH	150 MPH	in	mm
RTA906F-10	10	3.05	4	102	0.125	3.2	74	34	27.23	18.23	15.26	9.56	3/4 x 27	19-686
RTA906V-10	10	3.05	4	102	0.250	6.4	92	42	30	30	30	19.26	3/4 x 27	19-686
RTA906F-12	12	3.66	4	102	0.125	3.2	79	36	21.41	14.18	11.8	7.23	3/4 x 27	19-686
RTA906V-12	12	3.66	4	102	0.250	6.4	100	45	30	30	25.24	15.69	3/4 x 27	19-686
RTA906F-14	14	4.27	4	102	0.125	3.2	83	38	17.21	11.24	9.27	5.51	3/4 x 27	19-686
RTA906V-14	14	4.27	4	102	0.250	6.4	108	49	30	24.56	20.55	12.84	3/4 x 27	19-686
RTA906F-16	16	4.88	4	102	0.125	3.2	86	39	14.11	9.01	7.37	4.2	3/4 x 27	19-686
RTA906V-16	16	4.88	4	102	0.250	6.4	114	52	30	20.49	17.09	10.53	3/4 x 27	19-686
RTA907B-18	18	5.49	4	102	0.156	4.0	117	53	21.25	13.78	11.33	6.64	3/4 x 27	19-686
RTA907N-18	18	5.49	4	102	0.188	4.8	124	56	27.17	17.83	14.75	8.66	3/4 x 27	19-686
RTA907B-20	20	6.1	4	102	0.156	4.0	124	56	17.66	11.24	9.13	5.14	3/4 x 27	19-686
RTA907N-20	20	6.1	4	102	0.188	4.8	131	59	22.78	14.75	12.11	6.99	3/4 x 27	19-686

Note: Philips Lumec reserves the right to modify the above details to reflect changes in the cost of materials and/or production and/or design without prior notice.



Base details



Comes with 4 anchor bolts,
8 nuts and 8 washers.
B.C. from: 10" to 11" (254 to 279 mm)

Specifications:

Pole: made from a 12 flute, mandrel-formed, aluminum tapered shaft 6, 7 & 8" round (152,178 & 203 mm) welded to a 8 5/8" round (219 mm) extruded aluminum pole base which is welded top and bottom to a cast-aluminum anchor plate. After tapering, forming and welding, the entire shaft assembly is heat-treated to T6 temper. A 4 1/2" by 10" (114 by 254 mm) maintenance opening is complete with cover and copper ground lug.

Base cover: decorative base cover made from two cast-aluminum pieces fastened together with stainless steel hardware around the base of the pole. There is no door in the base cover to access the maintenance opening.

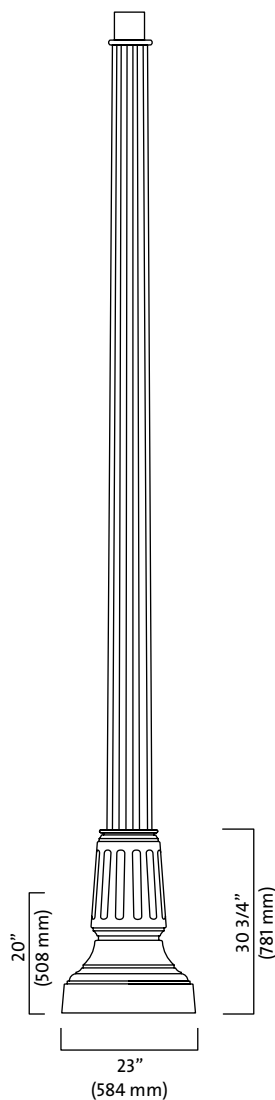
Finish: See page 142 for Finish details.

Options:

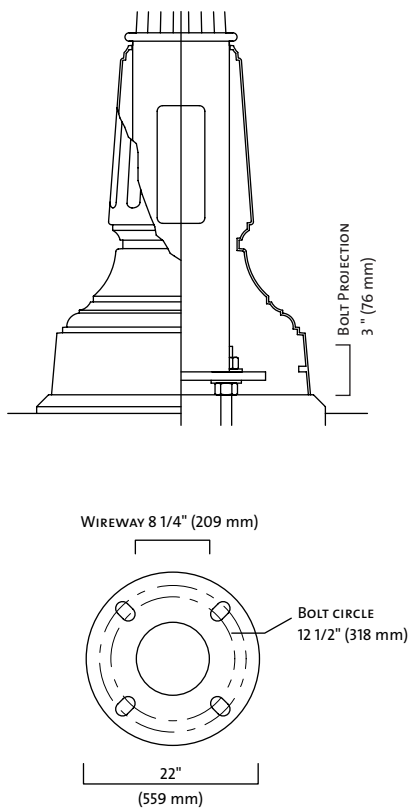
- LS:** Provision for loudspeaker outlet (see page 132)
- PH7:** Button-type photoelectric cell (specify operating voltage)
- DR:** Duplex receptacle (120V line voltage only)
- GFI:** DR with common ground fault interrupter (120V line voltage only)
- BA:** Banner arm (see page 136)
- PS:** Plant support (see page 137)
- MPL:** Mid-pole luminaire

Note: The recommended method for calculating EPA (Effective Projected Area) is in accordance with AASHTO 2001 standards: for three seconds, the pole is tested in wind gusts equivalent to the strongest winds on record over the past 50 years, and with a 50 pound load (22.7 kg) placed at 1 foot (305 mm) above its center.

CATALOG NUMBER	NOMINAL HEIGHT		TENON SECTION		WALL THICKNESS		WEIGHT		EPA RATING				ANCHOR BOLTS	
	ft	m	in	mm	in	mm	lbs	kg	90 MPH	110 MPH	120 MPH	150 MPH	in	mm
RTA926F-12	12	3.66	4	102	0.125	3.2	97	44	21.41	14.18	11.8	7.23	1-36	25-914
RTA926V-12	12	3.66	4	102	0.250	6.4	118	54	30	30	25.24	15.95	1-36	25-914
RTA926F-14	14	4.27	4	102	0.125	3.2	100	45	17.21	11.24	9.27	5.51	1-36	25-914
RTA926V-14	14	4.27	4	102	0.250	6.4	126	57	30	24.56	20.55	12.84	1-36	25-914
RTA926V-16	16	4.88	4	102	0.250	6.4	132	60	30	20.49	17.09	10.53	1-36	25-914
RTA927N-16	16	4.88	4	102	0.188	4.8	122	55	30	21.72	18.07	11.09	1-36	25-914
RTA927B-18	18	5.49	4	102	0.156	4.0	135	61	21.25	13.78	11.33	6.64	1-36	25-914
RTA927N-18	18	5.49	4	102	0.188	4.8	142	64	27.17	17.83	14.75	8.87	1-36	25-914
RTA927N-20	20	6.1	4	102	0.188	4.8	151	69	22.78	14.75	12.11	7.08	1-36	25-914
RTA928V-20	20	6.1	4	102	0.250	6.4	179	81	30	27.82	23.15	14.03	1-36	25-914
RTA928B-22	22	6.71	4	102	0.156	4.0	167	76	20.47	13.03	10.59	5.81	1-36	25-914
RTA928V-22	22	6.71	4	102	0.250	6.4	187	85	30	23.72	19.65	11.7	1-36	25-914
RTA928B-24	24	7.32	4	102	0.156	4.0	174	79	17.33	10.83	8.69	4.52	1-36	25-914
RTA928V-24	24	7.32	4	102	0.250	6.4	196	89	30	20.34	16.74	9.77	1-36	25-914
RTA928B-26	26	7.93	4	102	0.156	4.0	180	82	14.69	8.95	7.08	3.42	1-36	25-914
RTA928V-26	26	7.93	4	102	0.250	6.4	205	93	27.07	17.48	14.32	8.13	1-36	25-914
RTA928B-28	28	8.53	4	102	0.156	4.0	186	85	12.49	7.34	5.67	2.45	1-36	25-914
RTA928V-28	28	8.53	4	102	0.250	6.4	214	97	23.62	15.04	12.23	6.72	1-36	25-914



Base details



Comes with 4 anchor bolts,
8 nuts and 8 washers.
B.C. from: 11" to 15" (279 to 381 mm)

Specifications:

Pole: made from a 16 flute, mandrel-formed tapered steel shaft welded to a 8 5/8" (219 mm) steel pole base which is then welded top and bottom to a steel anchor plate.

A 4 1/2" by 10" (114 by 254 mm) maintenance opening is complete with cover and copper ground lug.

Base cover: decorative base cover made from two cast-aluminum pieces fastened together with stainless steel hardware around the base of the pole. There is no door in the base cover to access the maintenance opening.

Finish: See page 142 for Finish details.

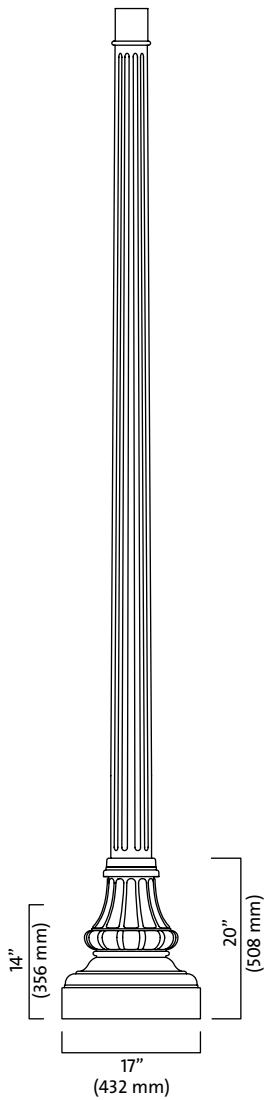
Options:

- LS:** Provision for loudspeaker outlet (see page 132)
- PH7:** Button-type photoelectric cell (specify operating voltage)
- DR:** Duplex receptacle (120V line voltage. only)
- GFI:** DR with common ground fault interrupter (120V line voltage only)
- BA:** Banner arm (see page 136)
- PS:** Plant support (see page 137)
- MPL:** Mid-pole luminaire

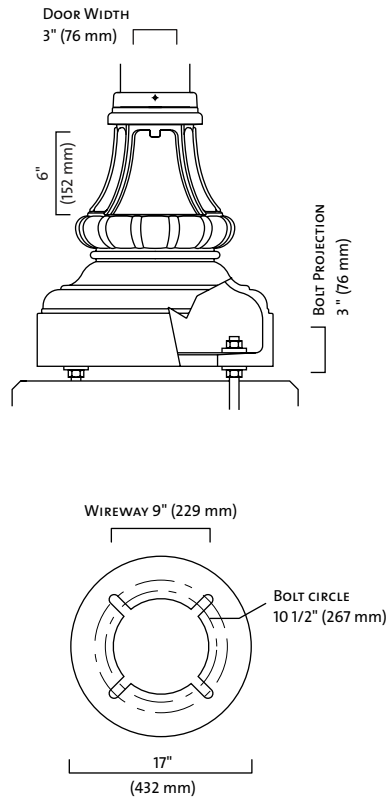
Note: The recommended method for calculating EPA (Effective Projected Area) is in accordance with AASHTO 2001 standards: for three seconds, the pole is tested in wind gusts equivalent to the strongest winds on record over the past 50 years, and with a 50 pound load (22.7 kg) placed at 1 foot (305 mm) above its center.

CATALOG NUMBER	NOMINAL HEIGHT		TENON SECTION		WALL THICKNESS		WEIGHT	EPA RATING				ANCHOR BOLTS	
	ft	m	in	mm	in	mm		90 MPH	110 MPH	120 MPH	150 MPH	in	mm
R92D-12	12	3.66	4	102	0.120	3.0	233 106	30	30	30	19.61	1-36	25-914
R92D-14	14	4.27	4	102	0.120	3.0	240 109	30	30	27.5	17.62	1-36	25-914
R92D-15	15	4.57	4	102	0.120	3.0	247 112	30	30	26.29	16.83	1-36	25-914
R92D-16	16	4.88	4	102	0.120	3.0	254 115	30	30	25.33	16.22	1-36	25-914
R92D-18	18	5.49	4	102	0.120	3.0	267 121	30	27.41	22.99	14.69	1-36	25-914
R92D-20	20	6.10	4	102	0.120	3.0	282 128	30	25.2	21.14	13.66	1-36	25-914
R92D-22	22	6.71	4	102	0.120	3.0	296 134	30	23.4	19.59	12.52	1-36	25-914
R92D-24	24	7.32	4	102	0.120	3.0	310 141	30	21.9	18.3	11.6	1-36	25-914
R92D-26	26	7.92	4	102	0.120	3.0	324 147	30	20.61	17.21	10.8	1-36	25-914
R92D-28	28	8.53	4	102	0.120	3.0	338 153	29.52	19.5	16.25	10.12	1-36	25-914
R92D-30	30	9.14	4	102	0.120	3.0	352 160	28.13	18.5	15.57	9.75	1-36	25-914

Note: Philips Lumec reserves the right to modify the above details to reflect changes in the cost of materials and/or production and/or design without prior notice.



Base details



Comes with 4 anchor bolts,
8 nuts and 8 washers.
B.C. from: 10 1/2" to 12 1/2" (267 to 318 mm)

Specifications:

Pole: made from a 12 flute, mandrel-formed, aluminum tapered shaft 5" round (127 mm) welded to a decorative cast-aluminum base incorporating an anchor plate. After tapering, forming and welding, the entire shaft assembly is heat-treated to T6 temper.

A maintenance opening is complete with decorative cast-aluminum cover in the same style as the pole and copper ground lug.

Joint cover: a one-piece cast-aluminum decorative joint cover is mechanically fastened to the shaft and base junction with stainless steel hardware.

Finish: See page 142 for Finish details.

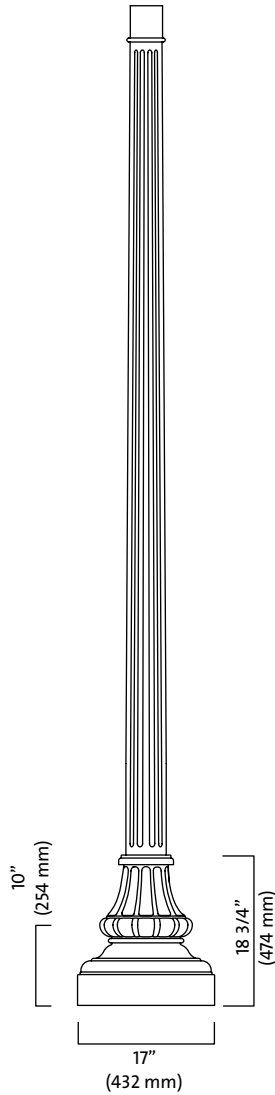
Options:

- LS:** Provision for loudspeaker outlet (see page 132)
- PH7:** Button-type photoelectric cell (specify operating voltage)
- DR:** Duplex receptacle (120V line voltage only)
- GFI:** DR with common ground fault interrupter (120V line voltage only)
- BA:** Banner arm (see page 136)
- PS:** Plant support (see page 137)
- MPL:** Mid-pole luminaire

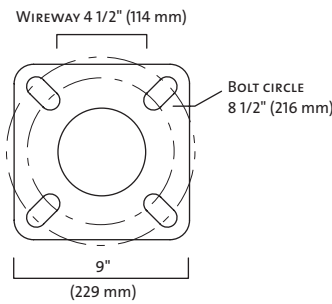
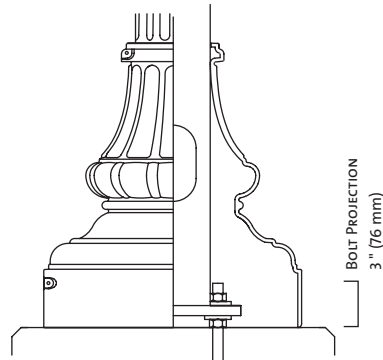
Note: The recommended method for calculating EPA (Effective Projected Area) is in accordance with AASHTO 2001 standards: for three seconds, the pole is tested in wind gusts equivalent to the strongest winds on record over the past 50 years, and with a 50 pound load (22.7 kg) placed at 1 foot (305 mm) above its center.

Important: Do not obstruct space between anchor plate and concrete base.

CATALOG NUMBER	NOMINAL HEIGHT		TENON SECTION		WALL THICKNESS		WEIGHT		EPA RATING				ANCHOR BOLTS	
	ft	m	in	mm	in	mm	lbs	kg	90 MPH	110 MPH	120 MPH	150 MPH	in	mm
RTA40F-10	10	3.05	4	102	0.125	3.2	56	25	16.37	10.73	8.92	5.43	3/4 x 20	19-508
RTA40V-10	10	3.05	4	102	0.250	6.4	71	32	30	22.6	18.97	11.96	3/4 x 20	19-508
RTA40F-11	11	3.35	4	102	0.125	3.2	57	26	14.48	9.39	7.78	4.67	3/4 x 20	19-508
RTA40V-11	11	3.35	4	102	0.250	6.4	75	34	30	20.12	16.86	10.57	3/4 x 20	19-508
RTA40F-12	12	3.66	4	102	0.125	3.2	59	27	12.9	8.25	6.78	4	3/4 x 20	19-508
RTA40V-12	12	3.66	4	102	0.250	6.4	78	35	27.13	18.01	15.04	9.36	3/4 x 20	19-508
RTA40F-13	13	3.96	4	102	0.125	3.2	61	27	11.53	7.27	5.93	3.4	3/4 x 20	19-508
RTA40V-13	13	3.96	4	102	0.250	6.4	81	37	24.56	16.22	13.52	8.34	3/4 x 20	19-508
RTA40F-14	14	3.96	4	102	0.125	3.2	64	29	10.33	6.43	5.18	2.89	3/4 x 20	19-508
RTA40N-14	14	3.96	4	102	0.188	4.8	84	38	16.04	10.36	8.52	5.06	3/4 x 20	19-508



Base details



Comes with 4 anchor bolts,
8 nuts and 8 washers.
B.C. from: 7 1/2" to 9 1/2" (190 to 241 mm)

Specifications:

Pole: single-piece 12 flute, mandrel-formed, aluminum tapered shaft 5" round (127mm) welded top and bottom to a cast-aluminum anchor plate. After tapering, forming and welding, the entire shaft assembly is heat-treated to T6 temper.

A 3" by 5" (76 by 127 mm) maintenance opening is complete with aluminum cover and copper ground lug.

Base cover: decorative base cover made from two cast-aluminum pieces fastened together with stainless steel hardware around the base of the pole. There is no door in the base cover to access the maintenance opening.

Finish: See page 142 for Finish details.

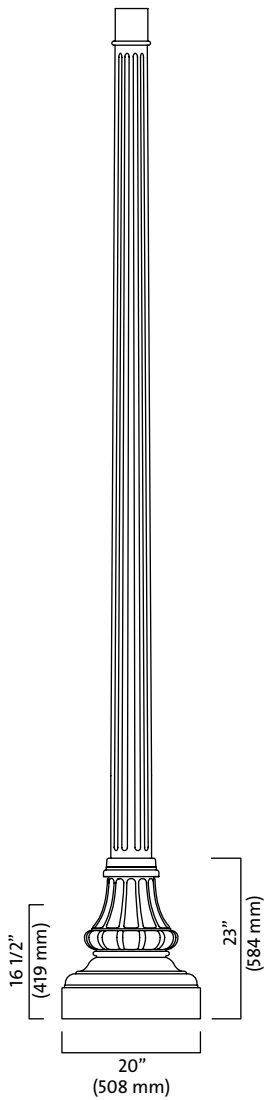
Options:

- LS:** Provision for loudspeaker outlet (see page 132)
- PH7:** Button-type photoelectric cell (specify operating voltage)
- DR:** Duplex receptacle (120V line voltage only)
- GFI:** DR with common ground fault interrupter (120V line voltage only)
- BA:** Banner arm (see page 136)
- PS:** Plant support (see page 137)
- MPL:** Mid-pole luminaire

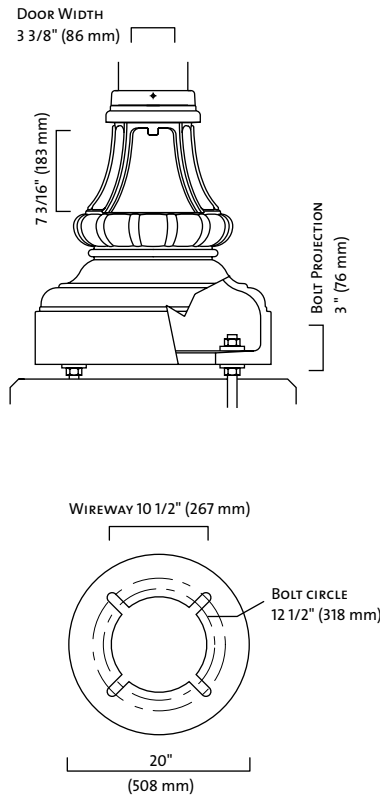
Note: The recommended method for calculating EPA (Effective Projected Area) is in accordance with AASHTO 2001 standards: for three seconds, the pole is tested in wind gusts equivalent to the strongest winds on record over the past 50 years, and with a 50 pound load (22.7 kg) placed at 1 foot (305 mm) above its center.

CATALOG NUMBER	NOMINAL HEIGHT		TENON SECTION		WALL THICKNESS		WEIGHT		EPA RATING				ANCHOR BOLTS	
	ft	m	in	mm	in	mm	lbs	kg	90 MPH	110 MPH	120 MPH	150 MPH	in	mm
RTA400F-10	10	3.05	4	102	0.125	3.2	29	13	14.22	9.03	7.4	4.35	1-36	25-914
RTA400V-10	10	3.05	4	102	0.250	6.4	50	23	29.99	19.71	16.41	10.14	1-36	25-914
RTA400F-11	11	3.35	4	102	0.125	3.2	32	15	12.74	7.95	6.47	3.7	1-36	25-914
RTA400V-11	11	3.35	4	102	0.250	6.4	54	24	27.23	17.74	14.72	9.01	1-36	25-914
RTA400F-12	12	3.66	4	102	0.125	3.2	34	15	11.47	6.99	5.65	3.13	1-36	25-914
RTA400V-12	12	3.66	4	102	0.250	6.4	59	27	24.83	16.04	13.26	8.01	1-36	25-914
RTA400F-13	13	3.96	4	102	0.125	3.2	36	16	10.33	6.17	4.92	2.62	1-36	25-914
RTA400V-13	13	3.96	4	102	0.250	6.4	64	29	22.78	14.58	12	7.17	1-36	25-914
RTA400F-14	14	4.26	4	102	0.125	3.1	50	23	9.36	5.46	4.28	2.17	1-36	25-914
RTA400N-14	14	4.26	4	102	0.188	4.8	64	29	14.87	9.18	7.43	4.18	1-36	25-914

Note: Philips Lumec reserves the right to modify the above details to reflect changes in the cost of materials and/or production and/or design without prior notice.



Base details



Comes with 4 anchor bolts,
8 nuts and 8 washers.
B.C. from: 12" to 15" (305 to 381 mm)

Specifications:

Pole: made from a 12 flute, mandrel-formed, aluminum tapered shaft 6" round (152 mm) welded to a decorative cast-aluminum base incorporating an anchor plate. After tapering, forming and welding, the entire shaft assembly is heat-treated to T6 temper.

A maintenance opening is complete with decorative cast-aluminum cover in the same style as the pole and copper ground lug.

Finish: See page 142 for Finish details.

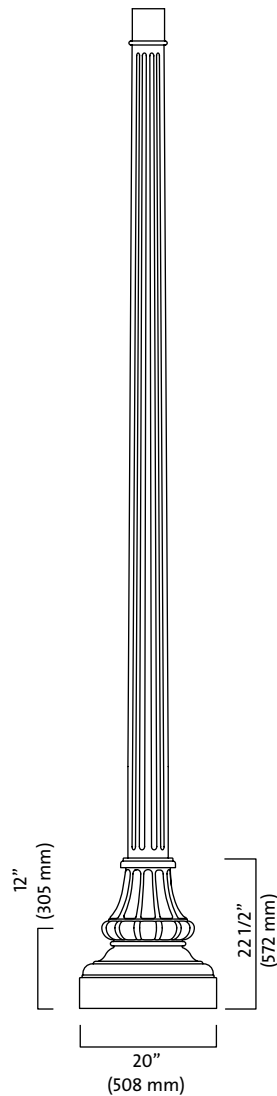
Options:

- LS:** Provision for loudspeaker outlet (see page 132)
- PH7:** Button-type photoelectric cell (specify operating voltage)
- DR:** Duplex receptacle (120V line voltage only)
- GFI:** DR with common ground fault interrupter (120V line voltage only)
- BA:** Banner arm (see page 136)
- PS:** Plant support (see page 137)
- MPL:** Mid-pole luminaire

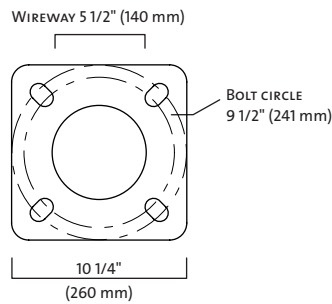
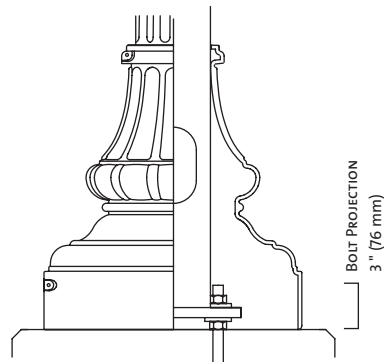
Note: The recommended method for calculating EPA (Effective Projected Area) is in accordance with AASHTO 2001 standards: for three seconds, the pole is tested in wind gusts equivalent to the strongest winds on record over the past 50 years, and with a 50 pound load (22.7 kg) placed at 1 foot (305 mm) above its center.

Important: Do not obstruct space between anchor plate and concrete base.

CATALOG NUMBER	NOMINAL HEIGHT		TENON SECTION		WALL THICKNESS		WEIGHT		EPA RATING				ANCHOR BOLTS	
	ft	m	in	mm	in	mm	lbs	kg	90 MPH	110 MPH	120 MPH	150 MPH	in	mm
RTA50F-12	12	3.66	4	102	0.125	3.2	77	35	19.87	13.11	10.88	6.61	3/4 x 20	19-508
RTA50V-12	12	3.66	4	102	0.250	6.4	98	44	30	28.05	23.52	14.81	3/4 x 20	19-508
RTA50F-14	14	4.27	4	102	0.125	3.2	80	36	16.07	10.42	8.57	5.02	3/4 x 20	19-508
RTA50V-14	14	4.27	4	102	0.250	6.4	104	47	30	23.07	19.26	12	3/4 x 20	19-508
RTA50F-16	16	4.88	4	102	0.125	3.2	84	38	13.23	8.38	6.81	3.81	3/4 x 20	19-508
RTA50V-16	16	4.88	4	102	0.250	6.4	111	50	29.14	19.32	16.1	9.85	3/4 x 20	19-508
RTA50F-18	18	5.49	4	102	0.125	3.2	87	39	10.68	6.55	5.2	2.71	3/4 x 27	19-686
RTA50V-18	18	5.49	4	102	0.250	6.4	116	53	24.27	15.92	13.17	7.9	3/4 x 27	19-686



Base details



Comes with 4 anchor bolts,
8 nuts and 8 washers.
B.C. from: 9" to 10" (229 to 254 mm)

Specifications:

Pole: single-piece 12 flute, mandrel-formed, aluminum tapered shaft 6" round (152 mm) welded top and bottom to a cast-aluminum anchor plate. After tapering, forming and welding, the entire shaft assembly is heat-treated to T6 temper.

A 3" by 5" (76 by 127 mm) maintenance opening is complete with aluminum cover and copper ground lug.

Base cover: decorative base cover made from two cast-aluminum pieces fastened together with stainless steel hardware around the base of the pole. There is no door in the base cover to access the maintenance opening.

Finish: See page 142 for Finish details.

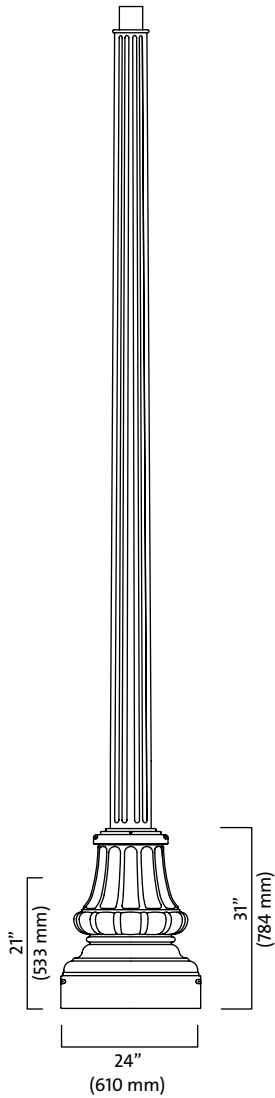
Options:

- LS:** Provision for loudspeaker outlet (see page 132)
- PH7:** Button-type photoelectric cell (specify operating voltage)
- DR:** Duplex receptacle (120V line voltage only)
- GFI:** DR with common ground fault interrupter (120V line voltage only)
- BA:** Banner arm (see page 136)
- PS:** Plant support (see page 137)
- MPL:** Mid-pole luminaire

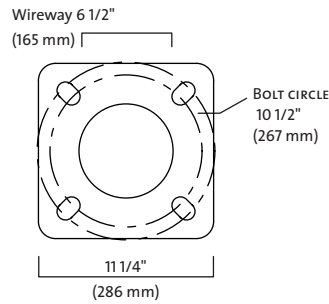
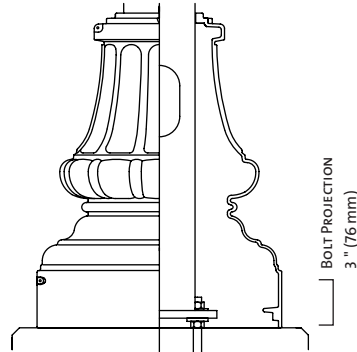
Note: The recommended method for calculating EPA (Effective Projected Area) is in accordance with AASHTO 2001 standards: for three seconds, the pole is tested in wind gusts equivalent to the strongest winds on record over the past 50 years, and with a 50 pound load (22.7 kg) placed at 1 foot (305 mm) above its center.

CATALOG NUMBER	NOMINAL HEIGHT		TENON SECTION		WALL THICKNESS		WEIGHT		EPA RATING				ANCHOR BOLTS	
	ft	m	in	mm	in	mm	lbs	kg	90 MPH	110 MPH	120 MPH	150 MPH	in	mm
RTA500F-12	12	3.66	4	102	0.125	3.2	40	18	17.07	10.94	8.95	5.2	1 - 36	25-914
RTA500V-12	12	3.66	4	102	0.250	6.4	71	32	30	24.27	20.2	12.43	1 - 36	25-914
RTA500F-14	14	4.27	4	102	0.125	3.2	45	20	14.05	8.77	7.08	3.91	1 - 36	25-914
RTA500V-14	14	4.27	4	102	0.250	6.4	81	37	30	20.32	16.8	10.18	1 - 36	25-914
RTA500F-16	16	4.88	4	102	0.125	3.2	50	23	11.74	7.05	5.59	2.86	1 - 36	25-914
RTA500V-16	16	4.88	4	102	0.250	6.4	91	41	26.94	17.31	14.22	8.42	1 - 36	25-914
RTA500F-18	18	5.49	4	102	0.125	3.2	55	25	9.59	5.49	4.2	1.9	1 - 36	25-914
RTA500V-18	18	5.49	4	102	0.250	6.4	101	46	22.9	14.46	11.76	6.74	1 - 36	25-914

RTA607 > ALUMINUM TWO PIECES DECORATIVE BASE COVER



Base details



Comes with 4 anchor bolts,
8 nuts and 8 washers.
B.C. from: 10" to 11" (254 to 279 mm)

Specifications:

Pole: single-piece 12 flute, mandrel-formed, aluminum tapered shaft 7" round (178 mm) welded top and bottom to a cast-aluminum anchor plate. After tapering, forming and welding, the entire shaft assembly is heat-treated to T6 temper.

A 4" by 7" (102 by 178 mm) maintenance opening is complete with aluminum cover and copper ground lug.

Base cover: decorative base cover made from two cast-aluminum pieces fastened together with stainless steel hardware around the base of the pole. There is no door in the base cover to access the maintenance opening.

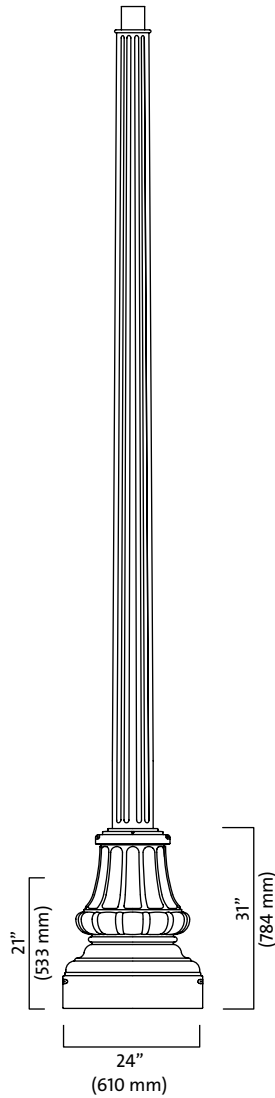
Finish: See page 142 for Finish details.

Options:

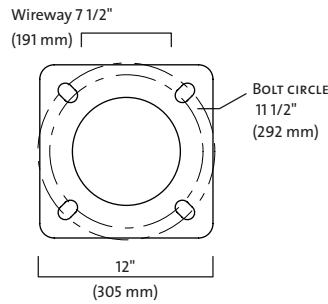
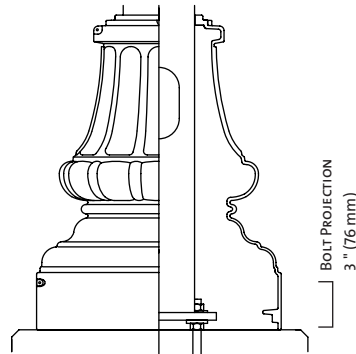
- LS:** Provision for loudspeaker outlet (see page 132)
- PH7:** Button-type photoelectric cell (specify operating voltage)
- DR:** Duplex receptacle (120V line voltage only)
- GFI:** DR with common ground fault interrupter (120V line voltage only)
- BA:** Banner arm (see page 136)
- PS:** Plant support (see page 137)
- MPL:** Mid-pole luminaire

Note: The recommended method for calculating EPA (Effective Projected Area) is in accordance with AASHTO 2001 standards: for three seconds, the pole is tested in wind gusts equivalent to the strongest winds on record over the past 50 years, and with a 50 pound load (22.7 kg) placed at 1 foot (305 mm) above its center.

CATALOG NUMBER	NOMINAL HEIGHT		TENON SECTION		WALL THICKNESS		WEIGHT		EPA RATING				ANCHOR BOLTS	
	ft	m	in	mm	in	mm	lbs	kg	90 MPH	110 MPH	120 MPH	150 MPH	in	mm
RTA607N-14	14	4.27	4	102	0.188	4.8	76	35	30	20.32	16.78	10.09	1-36	25-914
RTA607N-16	16	4.88	4	102	0.188	4.8	86	39	26.82	17.21	14.11	8.27	1-36	25-914
RTA607N-18	18	5.49	4	102	0.188	4.8	95	43	22.58	14.25	11.59	6.55	1-36	25-914
RTA607N-20	20	6.1	4	102	0.188	4.8	105	48	26.24	16.57	13.46	7.43	1-36	25-914
RTA607N-21	21	6.4	4	102	0.188	4.8	110	50	17.72	10.77	8.6	4.53	1-36	25-914



Base details



Comes with 4 anchor bolts,
8 nuts and 8 washers.
B.C. from: 10" to 12" (254 to 305 mm)

Specifications:

Pole: single-piece 12 flute, mandrel-formed, aluminum tapered shaft 8" round (203 mm) welded top and bottom to a cast-aluminum anchor plate. After tapering, forming and welding, the entire shaft assembly is heat-treated to T6 temper.

A 4" by 8" (101 by 203 mm) maintenance opening is complete with aluminum cover and copper ground lug.

Base cover: decorative base cover made from two cast-aluminum pieces fastened together with stainless steel hardware around the base of the pole. There is no door in the base cover to access the maintenance opening.

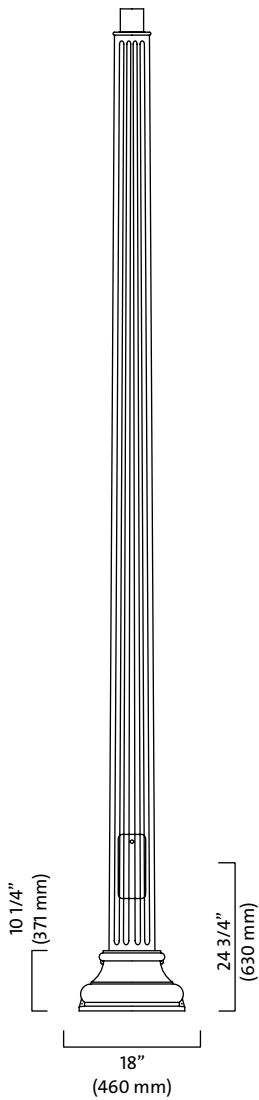
Options:

- LS:** Provision for loudspeaker outlet (see page 132)
- PH7:** Button-type photoelectric cell (specify operating voltage)
- DR:** Duplex receptacle (120V line voltage only)
- GFI:** DR with common ground fault interrupter (120V line voltage only)
- BA:** Banner arm (see page 136)
- PS:** Plant support (see page 137)
- MPL:** Mid-pole luminaire

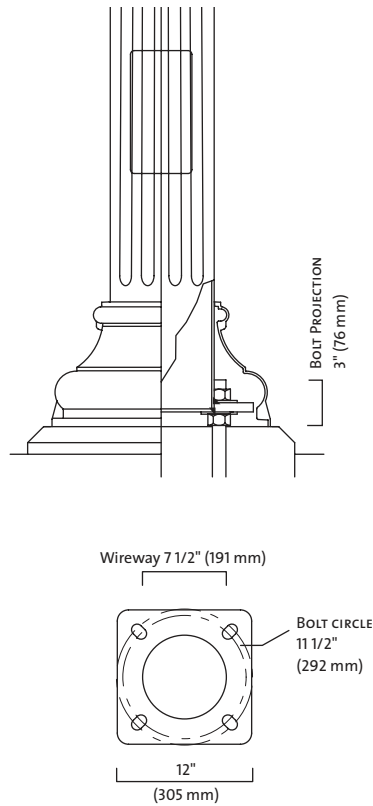
Note: The recommended method for calculating EPA (Effective Projected Area) is in accordance with AASHTO 2001 standards: for three seconds, the pole is tested in wind gusts equivalent to the strongest winds on record over the past 50 years, and with a 50 pound load (22.7 kg) placed at 1 foot (305 mm) above its center.

CATALOG NUMBER	NOMINAL HEIGHT		TENON SECTION		WALL THICKNESS		WEIGHT		EPA RATING				ANCHOR BOLTS	
	ft	m	in	mm	in	mm	lbs	kg	70 MPH	80 MPH	87.5 MPH	100 MPH	in	mm
RTA608N-22	22	6.71	4	102	0.188	4.8	130	59	22.58	13.99	11.24	5.94	1-36	25-914
RTA608V-22	22	6.71	4	102	0.250	6.4	167	76	30	20.88	17.04	9.67	1-36	25-914
RTA608N-24	24	7.31	4	102	0.188	4.8	140	63	19.5	11.82	9.36	4.67	1-36	25-914
RTA608V-24	24	7.31	4	102	0.250	6.4	182	83	28.75	18.05	14.61	8.05	1-36	25-914
RTA608N-26	26	7.92	4	102	0.188	4.8	151	69	16.86	9.95	7.76	3.56	1-36	25-914
RTA608V-26	26	7.92	4	102	0.250	6.4	196	89	25.3	15.61	12.52	6.64	1-36	25-914
RTA608N-28	28	8.53	4	102	0.188	4.8	162	73	14.61	8.31	6.34	2.6	1-36	25-914
RTA608V-28	28	8.53	4	102	0.250	6.4	210	95	22.37	13.5	10.71	5.41	1-36	25-914

Note: Philips Lumec reserves the right to modify the above details to reflect changes in the cost of materials and/or production and/or design without prior notice.



Base details



Comes with 4 anchor bolts,
8 nuts and 8 washers.
B.C. from: 11" to 12" (279 to 305 mm)

Specifications:

Pole: single-piece 12 flute, mandrel-formed, aluminum tapered shaft 8" round (203 mm) welded to both the top and bottom of a cast aluminum anchor plate. After tapering, forming and welding, the entire shaft assembly is heat-treated to T6 temper.

A 4" by 9" (102 by 229 mm) maintenance opening is complete with decorative cast-aluminum cover in the same style as the pole and copper ground lug.

Base cover: decorative base cover made from cast-aluminum pieces mechanically assembled together with stainless steel hardware around base of the pole.

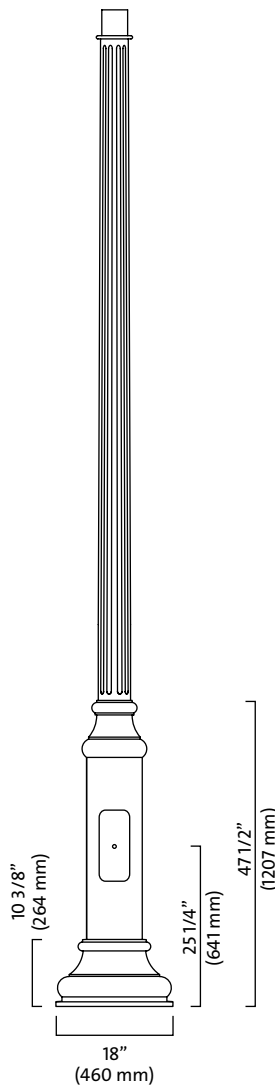
Finish: See page 142 for Finish details.

Options:

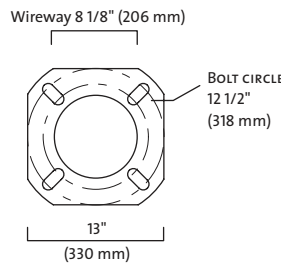
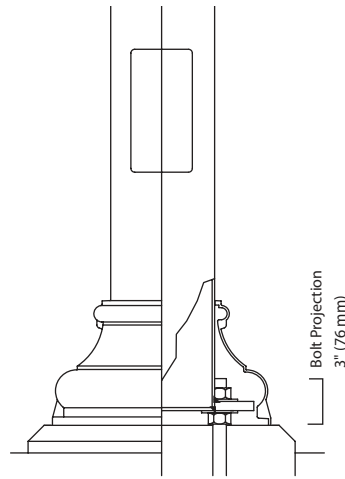
- LS:** Provision for loudspeaker outlet (see page 132)
- PH7:** Button-type photoelectric cell (specify operating voltage)
- DR:** Duplex receptacle (120V line voltage only)
- GFI:** DR with common ground fault interrupter (120V line voltage only)
- BA:** Banner arm (see page 136)
- PS:** Plant support (see page 137)
- MPL:** Mid-pole luminaire

Note: The recommended method for calculating EPA (Effective Projected Area) is in accordance with AASHTO 2001 standards: for three seconds, the pole is tested in wind gusts equivalent to the strongest winds on record over the past 50 years, and with a 50 pound load (22.7 kg) placed at 1 foot (305 mm) above its center.

CATALOG NUMBER	NOMINAL HEIGHT		TENON SECTION		WALL THICKNESS		WEIGHT		EPA RATING				ANCHOR BOLTS	
	ft	m	in	mm	in	mm	lbs	kg	90 MPH	110 MPH	120 MPH	150 MPH	in	mm
RTA20N-22	22	6.7	4	102	0.188	4.8	124	56	21.25	13.52	10.97	5.99	1-36	25-914
RTA20V-22	22	6.7	4	102	0.250	6.4	154	70	30	20.08	16.53	9.61	1-36	25-914
RTA20N-24	24	7.31	4	102	0.188	4.8	130	59	18.21	11.38	9.13	4.73	1-36	25-914
RTA20V-24	24	7.31	4	102	0.250	6.4	163	74	26.72	17.27	14.11	8.01	1-36	25-914
RTA20N-26	26	7.92	4	102	0.188	4.8	137	62	15.66	9.54	7.54	3.65	1-36	25-914
RTA20V-26	26	7.92	4	102	0.250	6.4	173	78	23.31	14.85	12.06	6.61	1-36	25-914



Base details



Comes with 4 anchor bolts,
8 nuts and 8 washers.
B.C. from: 10 3/4" to 13" (273 to 330 mm)

Specifications:

Pole: made from a 12 flute, mandrel-formed, aluminum tapered shaft 5" round (127 mm) welded to a 8 5/8" round (219 mm) extruded aluminum pole base which then is welded to both the top and bottom of a cast aluminum anchor plate. After tapering, forming and welding, the entire shaft assembly is heat-treated to T6 temper. A 4 1/2" by 10" (114 by 254 mm) maintenance opening is complete with cover and copper ground lug.

Base cover: decorative base cover made from cast-aluminum pieces mechanically assembled together with stainless steel hardware around base of the pole.

Finish: See page 142 for Finish details.

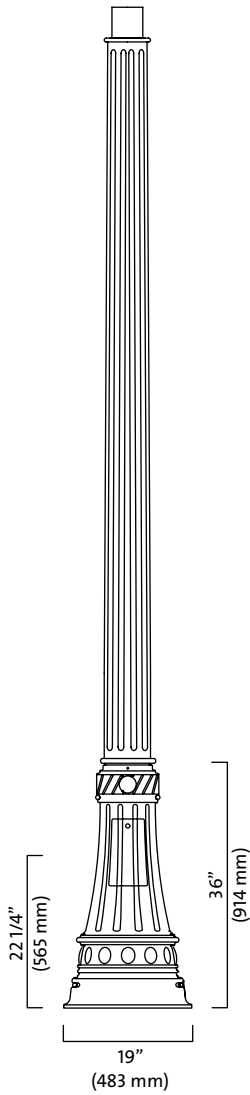
Options:

- LS:** Provision for loudspeaker outlet (see page 132)
- PH7:** Button-type photoelectric cell (specify operating voltage)
- DR:** Duplex receptacle (120V line voltage only)
- GFI:** DR with common ground fault interrupter (120V line voltage only)
- BA:** Banner arm (see page 136)
- PS:** Plant support (see page 137)
- MPL:** Mid-pole luminaire

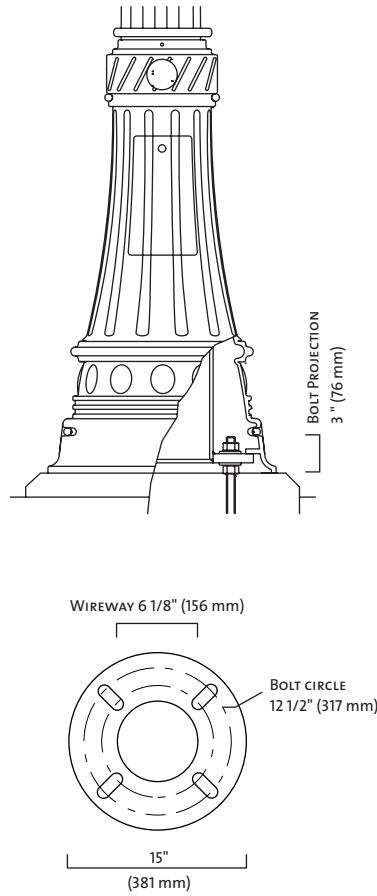
Note: The recommended method for calculating EPA (Effective Projected Area) is in accordance with AASHTO 2001 standards: for three seconds, the pole is tested in wind gusts equivalent to the strongest winds on record over the past 50 years, and with a 50 pound load (22.7 kg) placed at 1 foot (305 mm) above its center.

CATALOG NUMBER	NOMINAL HEIGHT		TENON SECTION		WALL THICKNESS		WEIGHT		EPA RATING				ANCHOR BOLTS	
	ft	m	in	mm	in	mm	lbs	kg	90 MPH	110 MPH	120 MPH	150 MPH	in	mm
RTA61F-10	10	3.05	4	102	0.125	3.2	44	97	20.43	13.62	11.39	7.11	3/4 x 20	19-508
RTA61V-10	10	3.05	4	102	0.250	6.4	57	26	30	27.99	23.57	15.02	3/4 x 20	19-508
RTA61F-11	11	3.35	4	102	0.125	3.2	46	21	17.88	11.8	9.83	6.08	3/4 x 20	19-508
RTA61V-11	11	3.35	4	102	0.250	6.4	60	27	30	24.59	20.67	13.09	3/4 x 20	19-508
RTA61F-12	12	3.66	4	102	0.125	3.2	47	21	15.75	10.3	8.54	5.2	3/4 x 20	19-508
RTA61V-12	12	3.66	4	102	0.250	6.4	63	29	30	21.78	18.27	11.51	3/4 x 20	19-508
RTA61F-13	13	3.97	4	102	0.125	3.2	49	22	13.97	9.01	7.45	4.44	3/4 x 20	19-508
RTA61V-13	13	3.97	4	102	0.250	6.4	67	30	29.17	19.44	16.27	10.18	3/4 x 20	19-508
RTA61F-14	14	4.27	4	102	0.125	3.2	50	23	12.47	7.93	6.51	3.79	3/4 x 20	19-508
RTA61V-14	14	4.27	4	102	0.250	6.4	70	32	26.29	17.45	14.58	9.05	3/4 x 20	19-508
RTA61F-15	15	4.57	4	102	0.125	3.2	52	24	11.14	6.99	5.69	3.24	3/4 x 20	19-508
RTA61V-15	15	4.57	4	102	0.250	6.4	73	33	23.83	15.73	13.09	8.07	3/4 x 20	19-508

Note: Philips Lumec reserves the right to modify the above details to reflect changes in the cost of materials and/or production and/or design without prior notice.



Base details



Comes with 4 anchor bolts,
8 nuts and 8 washers.
B.C. from: 10" to 13" (254 to 330 mm)

Specifications:

Pole: made from a 12 flute, mandrel-formed, aluminum tapered shaft 6 & 7" round (152 & 178 mm) welded to a 6 5/8" round (168 mm) extruded aluminum pole base which is then welded to both the top and bottom of a cast aluminum anchor plate. After tapering, forming and welding, the entire shaft assembly is heat-treated to T6 temper.

A 4 1/2" by 10" (114 by 254 mm) maintenance opening is complete with a copper ground lug.

Base cover: decorative base cover made from two cast-aluminum pieces fastened together with stainless steel hardware around the base of the pole. Base cover is complete with a door to access the maintenance opening.

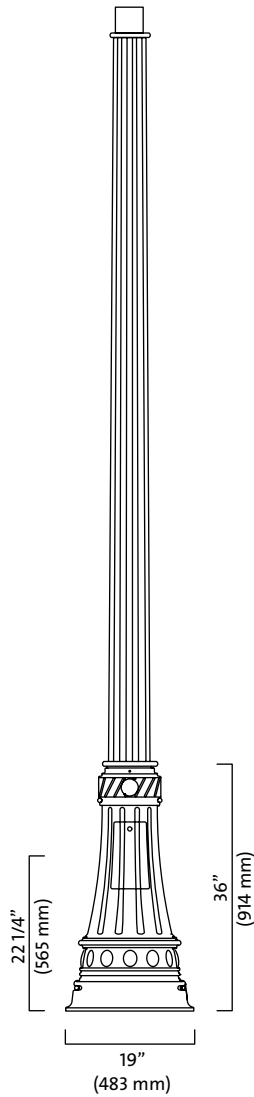
Finish: See page 142 for Finish details.

Options:

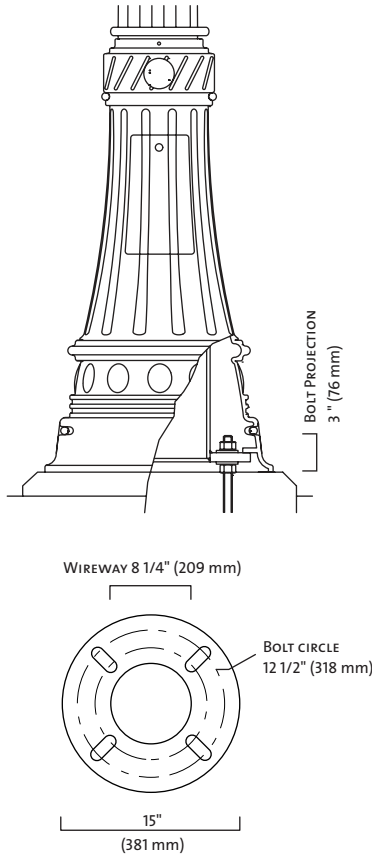
- LS:** Provision for loudspeaker outlet (see page 132)
- PH7:** Button-type photoelectric cell (specify operating voltage)
- DR:** Duplex receptacle (120V line voltage only)
- GFI:** DR with common ground fault interrupter (120V line voltage only)
- BA:** Banner arm (see page 136)
- PS:** Plant support (see page 137)
- MPL:** Mid-pole luminaire

Note: The recommended method for calculating EPA (Effective Projected Area) is in accordance with AASHTO 2001 standards: for three seconds, the pole is tested in wind gusts equivalent to the strongest winds on record over the past 50 years, and with a 50 pound load (22.7 kg) placed at 1 foot (305 mm) above its center.

CATALOG NUMBER	NOMINAL HEIGHT		TENON SECTION		WALL THICKNESS		WEIGHT		EPA RATING				ANCHOR BOLTS	
	ft	m	in	mm	in	mm	lbs	kg	90 MPH	110 MPH	120 MPH	150 MPH	in	mm
RTA136F-10	10	3.05	4	102	0.125	3.2	76	35	30	20.35	17.09	10.9	1-36	25-914
RTA136V-10	10	3.05	4	102	0.250	6.4	94	37	30	30	30	19.59	1-36	25-914
RTA136F-12	12	3.66	4	102	0.125	3.2	81	37	23.72	15.78	13.19	8.31	1-36	25-914
RTA136V-12	12	3.66	4	102	0.250	6.4	102	46	30	30	25.45	16.07	1-36	25-914
RTA136F-14	14	4.27	4	102	0.125	3.2	85	39	19.05	12.52	10.42	6.46	1-36	25-914
RTA136V-14	14	4.27	4	102	0.250	6.4	110	50	30	25.73	21.43	13.38	1-36	25-914
RTA136F-16	16	4.88	4	102	0.125	3.2	88	40	15.66	10.12	8.34	5.04	1-36	25-914
RTA136V-16	16	4.88	4	102	0.250	6.4	116	53	30	21.49	17.97	11.29	1-36	25-914
RTA137B-18	18	5.49	4	102	0.156	4.0	116	53	23.25	15.28	12.7	7.95	1-36	25-914
RTA137N-18	18	5.49	4	102	0.188	4.8	146	66	29.44	19.42	16.11	9.77	1-36	25-914
RTA137B-20	20	6.10	4	102	0.156	4.0	125	57	19.36	12.52	10.33	6.35	1-36	25-914
RTA137N-20	20	6.10	4	102	0.188	4.8	166	75	24.57	16.02	13.21	7.84	1-36	25-914



Base details



Comes with 4 anchor bolts,
8 nuts and 8 washers.
B.C. from: 91/4" to 13" (235 to 330 mm)

Specifications:

Pole: made from a 16 flute, mandrel-formed, tapered steel shaft welded to a 6 5/8" round (168 mm) steel pole base which is then welded to both the top and bottom of a cast aluminum anchor plate. A 4 1/2" by 10" (114 by 254 mm) maintenance opening is complete with a copper ground lug.

Base cover: decorative base cover made from two cast-aluminum pieces fastened together with stainless steel hardware around the base of the pole. Base cover is complete with a door to access the maintenance opening.

Finish: See page 142 for Finish details.

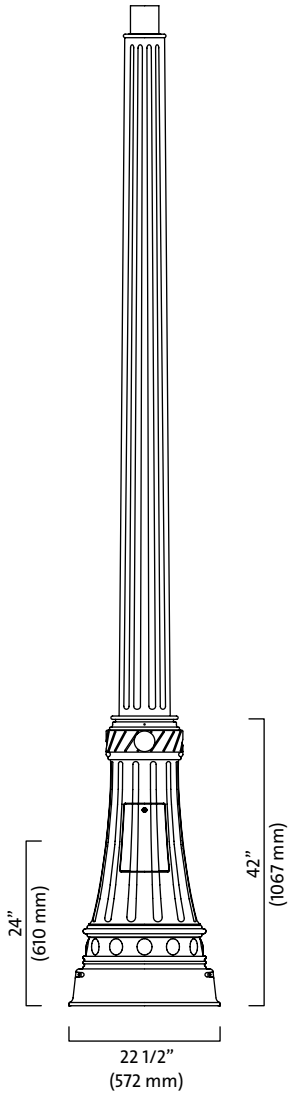
Options:

- LS:** Provision for loudspeaker outlet (see page 132)
- PH7:** Button-type photoelectric cell (specify operating voltage)
- PH8:** Quarter-turn type photoelectric cell (specify operating voltage)
- DR:** Duplex receptacle (120V line volt. only)
- GFI:** DR with common ground fault interrupter (120V line voltage only)
- BA:** Banner arm (see page 136)
- PS:** Plant support (see page 137)
- MPL:** Mid-pole luminaire

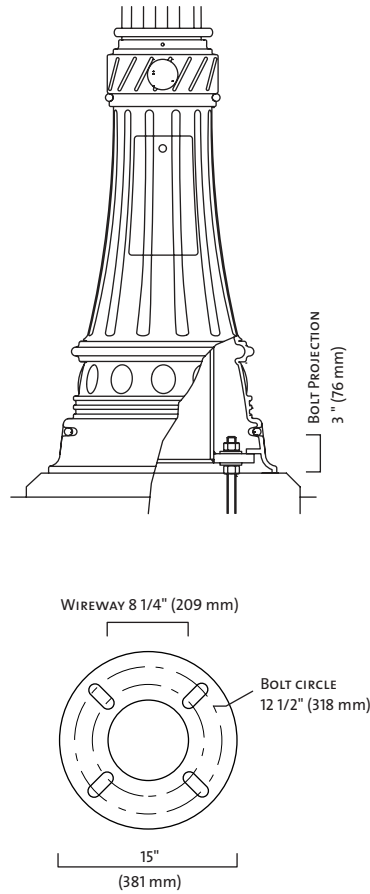
Note: The recommended method for calculating EPA (Effective Projected Area) is in accordance with AASHTO 2001 standards: for three seconds, the pole is tested in wind gusts equivalent to the strongest winds on record over the past 50 years, and with a 50 pound load (22.7 kg) placed at 1 foot (305 mm) above its center.

CATALOG NUMBER	NOMINAL HEIGHT		TENON SECTION		WALL THICKNESS		WEIGHT		EPA RATING				ANCHOR BOLTS	
	ft	m	in	mm	in	mm	lbs	kg	90 MPH	110 MPH	120 MPH	150 MPH	in	mm
R130D-10	10	3.05	4	102	0.120	3.0	125	56	30	30	30	23.31	3/4-27	19-686
R130D-12	12	3.66	4	102	0.120	3.0	141	64	30	30	30	20.2	3/4-27	19-686
R130D-14	14	4.27	4	102	0.120	3.0	157	71	30	30	28.17	18.06	3/4-27	19-686
R130D-15	15	4.57	4	102	0.120	3.0	166	75	30	30	26.88	17.21	3/4-27	19-686
R130D-16	16	4.88	4	102	0.120	3.0	175	79	30	30	25.85	16.55	3/4-27	19-686
R130D-18	18	5.49	4	102	0.120	3.0	193	88	30	27.85	23.39	14.95	3/4-27	19-686
R130D-20	20	6.10	4	102	0.120	3.0	212	96	30	25.57	21.43	13.87	3/4-27	19-686

Note: Philips Lumec reserves the right to modify the above details to reflect changes in the cost of materials and/or production and/or design without prior notice.



Base details



Comes with 4 anchor bolts,
8 nuts and 8 washers.
B.C. from: 10" to 13" (254 to 330 mm)

Specifications:

Pole: made from a 12 flute, mandrel-formed, aluminum tapered shaft 6 & 8" round (152 & 203 mm) welded to a 8 5/8" round (219 mm) extruded aluminum pole base which is then welded to both the top and bottom of a cast aluminum anchor plate. After tapering, forming and welding, the entire shaft assembly is heat-treated to T6 temper. A 4 1/2" by 10" (114 by 254 mm) maintenance opening is complete with a copper ground lug.

Base cover: decorative base cover made from two cast-aluminum pieces fastened together with stainless steel hardware around the base of the pole. Base cover is complete with a door to access the maintenance opening.

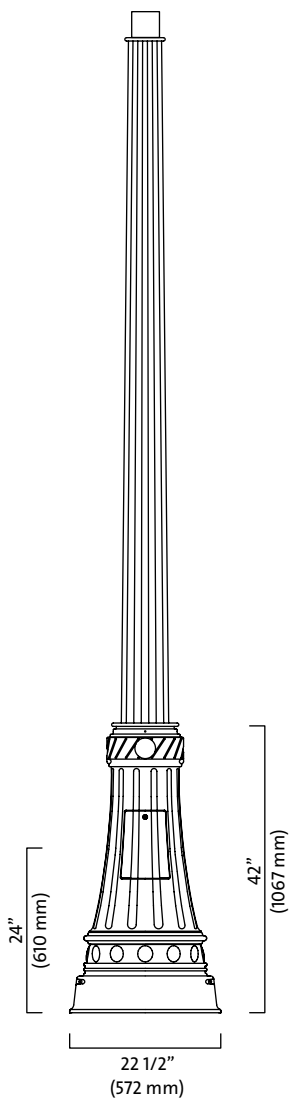
Finish: See page 142 for Finish details.

Options:

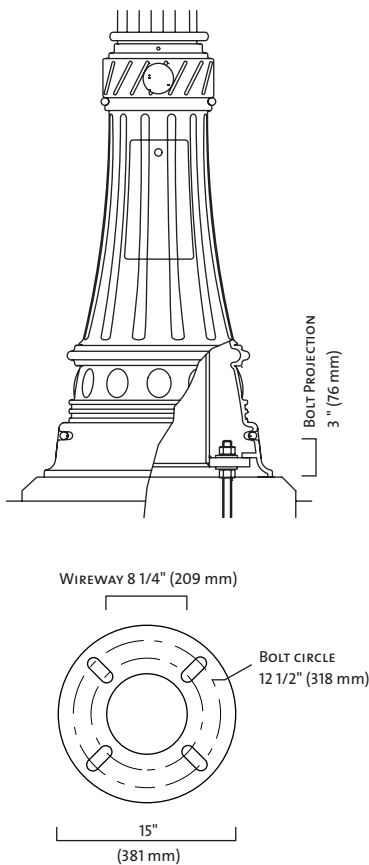
- LS:** Provision for loudspeaker outlet (see page 132)
- PH7:** Button-type photoelectric cell (specify operating voltage)
- DR:** Duplex receptacle (120V line voltage only)
- GFI:** DR with common ground fault interrupter (120V line voltage only)
- BA:** Banner arm (see page 136)
- PS:** Plant support (see page 137)
- MPL:** Mid-pole luminaire

Note: The recommended method for calculating EPA (Effective Projected Area) is in accordance with AASHTO 2001 standards: for three seconds, the pole is tested in wind gusts equivalent to the strongest winds on record over the past 50 years, and with a 50 pound load (22.7 kg) placed at 1 foot (305 mm) above its center.

CATALOG NUMBER	NOMINAL HEIGHT		TENON SECTION		WALL THICKNESS		WEIGHT		EPA RATING				ANCHOR BOLTS	
	ft	m	in	mm	in	mm	lbs	kg	90 MPH	110 MPH	120 MPH	150 MPH	in	mm
RTAS136F-12	12	3.66	4	102	0.125	3.2	103	47	24.07	16.04	13.38	8.31	1-36	25-914
RTAS136V-12	12	3.66	4	102	0.250	6.4	124	56	30	30	28.21	17.92	1-36	25-914
RTAS136F-14	14	4.27	4	102	0.125	3.2	105	48	19.15	12.6	10.44	6.31	1-36	25-914
RTAS136V-14	14	4.27	4	102	0.250	6.4	132	60	30	27.11	22.72	14.28	1-36	25-914
RTAS136V-16	16	4.88	4	102	0.250	6.4	138	63	30	22.45	18.74	11.65	1-36	25-914
RTAS137V-16	16	4.88	4	102	0.250	6.4	148	67	30	30	26.65	16.68	1-36	25-914
RTAS137B-18	18	5.49	4	102	0.156	4.0	139	63	23.13	15.1	12.47	7.4	1-36	25-914
RTAS137V-18	18	5.49	4	102	0.250	6.4	159	72	30	26.26	21.9	13.55	1-36	25-914
RTAS137V-20	20	6.10	4	102	0.250	6.4	168	76	30	21.92	18.21	11.08	1-36	25-914
RTAS138V-20	20	6.10	4	102	0.250	6.4	180	82	30	29.01	23.93	14.13	1-36	25-914
RTAS138B-22	22	6.71	4	102	0.156	4.0	169	77	22.05	14.14	11.54	6.47	1-36	25-914
RTAS138V-22	22	6.71	4	102	0.250	6.4	189	86	30	25.12	20.61	11.94	1-36	25-914
RTAS138B-24	24	7.31	4	102	0.156	4.0	176	80	18.65	11.76	9.48	5.08	1-36	25-914
RTAS138V-24	24	7.31	4	102	0.250	6.4	198	90	30	21.74	17.83	10.09	1-36	25-914
RTAS138B-26	26	7.92	4	102	0.156	4.0	182	83	15.81	9.74	7.76	3.89	1-36	25-914
RTAS138V-26	26	7.92	4	102	0.250	6.4	206	94	28.78	18.68	15.34	8.48	1-36	25-914
RTAS138B-28	28	8.53	4	102	0.156	4.0	188	85	13.42	8.01	6.25	2.86	1-36	25-914
RTAS138V-28	28	8.53	4	102	0.250	6.4	216	98	25.06	16.06	13.09	7.1	1-36	25-914



Base details



Comes with 4 anchor bolts,
8 nuts and 8 washers.
B.C. from: 11" to 13" (279 to 330 mm)

Specifications:

Pole: made from a 16 flute, mandrel-formed tapered steel shaft welded to an 8 5/8" (219 mm) round steel pole base which is then welded to both the top and bottom of a cast aluminum anchor plate. A 4 1/2" by 10" (114 by 254 mm) maintenance opening is complete with a copper ground lug.

Base cover: decorative base cover made from two cast-aluminum pieces fastened together with stainless steel hardware around the base of the pole. Base cover is complete with a door to access the maintenance opening.

Finish: See page 142 for Finish details.

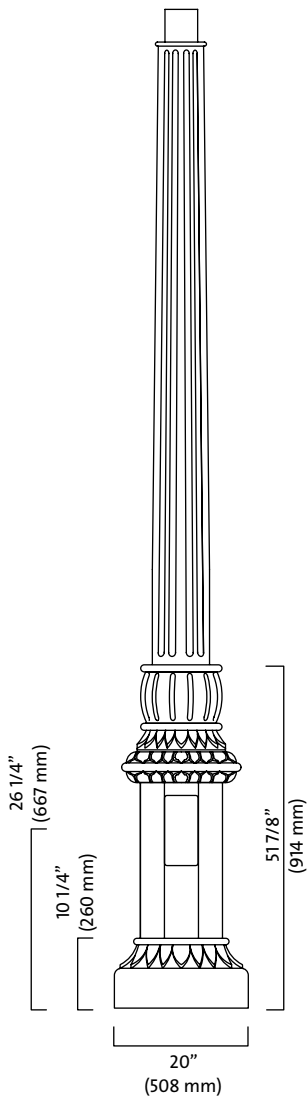
Options:

- LS:** Provision for loudspeaker outlet (see page 132)
- PH7:** Button-type photoelectric cell (specify operating voltage)
- PH8:** Quarter-turn type photoelectric cell (specify operating voltage)
- DR:** Duplex receptacle (120V line voltage. only)
- GFI:** DR with common ground fault interrupter (120V line voltage only)
- BA:** Banner arm (see page 136)
- PS:** Plant support (see page 137)
- MPL:** Mid-pole luminaire

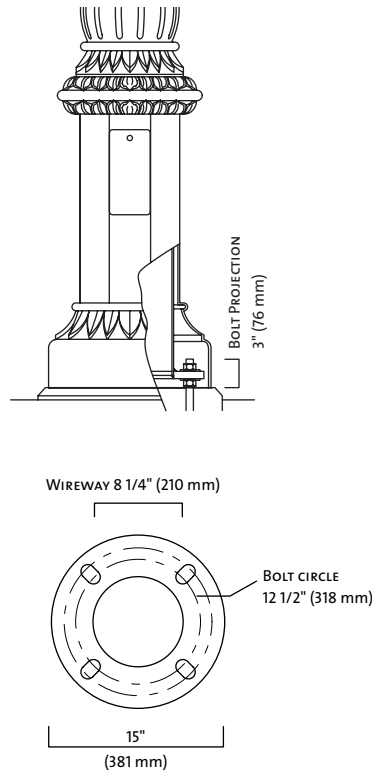
Note: The recommended method for calculating EPA (Effective Projected Area) is in accordance with AASHTO 2001 standards: for three seconds, the pole is tested in wind gusts equivalent to the strongest winds on record over the past 50 years, and with a 50 pound load (22.7 kg) placed at 1 foot (305 mm) above its center.

CATALOG NUMBER	NOMINAL HEIGHT		TENON SECTION		WALL THICKNESS		WEIGHT		EPA RATING				ANCHOR BOLTS	
	ft	m	in	mm	in	mm	lbs	kg	90 MPH	110 MPH	120 MPH	150 MPH	in	mm
RS130D-12	12	3.66	4	102	0.120	3.0	242	110	30	30	30	20.87	1-36	25-914
RS130D-14	14	4.27	4	102	0.120	3.0	248	113	30	30	28.91	18.53	1-36	25-914
RS130D-15	15	4.57	4	102	0.120	3.0	255	116	30	30	27.5	17.62	1-36	25-914
RS130D-16	16	4.88	4	102	0.120	3.0	261	119	30	30	26.39	16.92	1-36	25-914
RS130D-18	18	5.49	4	102	0.120	3.0	273	124	30	28.34	23.81	15.22	1-36	25-914
RS130D-20	20	6.10	4	102	0.120	3.0	287	130	30	25.94	21.76	14.07	1-36	25-914
RS130D-22	22	6.71	4	102	0.120	3.0	300	136	30	24.01	20.11	12.88	1-36	25-914
RS130D-24	24	7.31	4	102	0.120	3.0	313	142	30	22.4	18.74	11.89	1-36	25-914
RS130D-26	26	7.92	4	102	0.120	3.0	326	148	30	21.04	17.56	11.06	1-36	25-914
RS130D-28	28	8.53	4	102	0.120	3.0	339	154	30	19.85	16.57	10.33	1-36	25-914
RS130D-30	30	9.14	4	102	0.120	3.0	353	160	28.58	18.82	15.67	9.95	1-36	25-914

Note: Philips Lumec reserves the right to modify the above details to reflect changes in the cost of materials and/or production and/or design without prior notice.



Base details



Comes with 4 anchor bolts,
8 nuts and 8 washers.
B.C. from: 10" to 13" (254 to 330 mm)

Specifications:

Pole: made from a 12 flute, mandrel-formed, aluminum tapered shaft 6, 7 & 8" round (152,178 & 203 mm) welded to a 8 5/8" round (219 mm) extruded aluminum pole base which is then welded to both the top and bottom of a steel anchor plate. After tapering, forming and welding, the entire shaft assembly is heat-treated to T6 temper.

A 4 1/2" by 10" (114 by 254 mm) maintenance opening is complete with a copper ground lug.

Base cover: decorative base cover made from two cast-aluminum pieces fastened together with stainless steel hardware around the base of the pole. Base cover is complete with a door to access the maintenance opening.

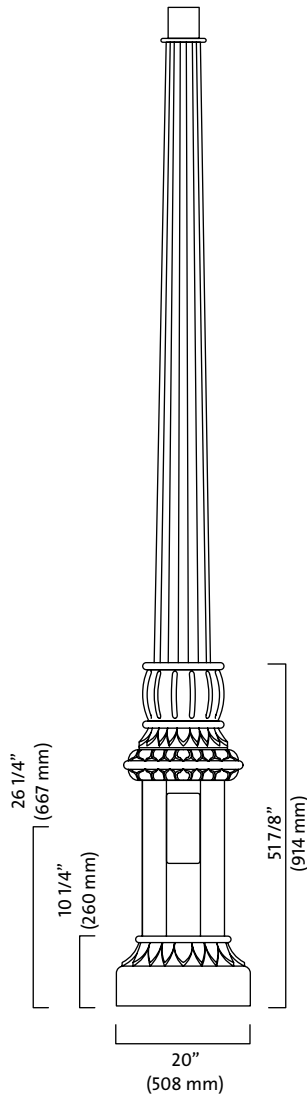
Finish: See page 142 for Finish details.

Options:

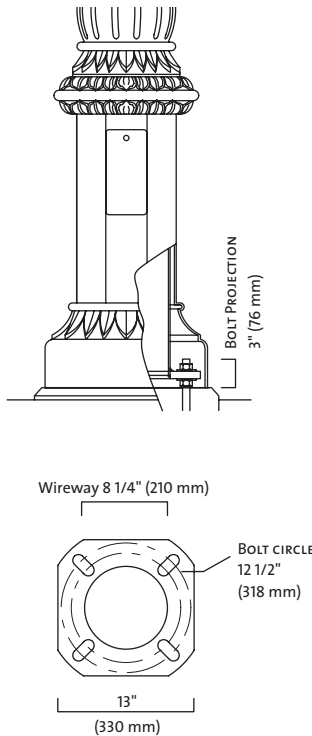
- LS:** Provision for loudspeaker outlet (see page 132)
- PH7:** Button-type photoelectric cell (specify operating voltage)
- DR:** Duplex receptacle (120V line voltage only)
- GFI:** DR with common ground fault interrupter (120V line voltage only)
- BA:** Banner arm (see page 136)
- PS:** Plant support (see page 137)
- MPL:** Mid-pole luminaire

Note: The recommended method for calculating EPA (Effective Projected Area) is in accordance with AASHTO 2001 standards: for three seconds, the pole is tested in wind gusts equivalent to the strongest winds on record over the past 50 years, and with a 50 pound load (22.7 kg) placed at 1 foot (305 mm) above its center.

CATALOG NUMBER	NOMINAL HEIGHT		TENON SECTION		WALL THICKNESS		WEIGHT		EPA RATING				ANCHOR BOLTS	
	ft	m	in	mm	in	mm	lbs	kg	90 MPH	110 MPH	120 MPH	150 MPH	in	mm
RTA106F-12	12	3.66	4	102	0.125	3.2	104	47	27.52	18.44	15.45	9.83	1-36	25-914
RTA106V-12	12	3.66	4	102	0.250	6.4	125	57	30	30	30	19.75	1-36	25-914
RTA106F-14	14	4.27	4	102	0.125	3.2	107	49	21.8	14.46	12.06	7.54	1-36	25-914
RTA106V-14	14	4.27	4	102	0.250	6.4	133	61	30	29.28	24.59	15.67	1-36	25-914
RTA106V-16	16	4.88	4	102	0.250	6.4	139	63	30	24.1	20.2	12.77	1-36	25-914
RTA107N-16	16	4.88	4	102	0.188	4.8	157	72	30	25.59	21.49	13.75	1-36	25-914
RTA107B-18	18	5.49	4	102	0.156	4.0	140	64	25.83	17.07	14.22	8.99	1-36	25-914
RTA107N-18	18	5.49	4	102	0.188	4.8	167	78	30	20.87	17.45	11.06	1-36	25-914
RTA107N-20	20	6.10	4	102	0.188	4.8	187	85	26.14	17.21	14.34	8.98	1-36	25-914
RTA108V-20	20	6.10	4	102	0.250	6.4	182	83	30	29.63	24.73	15.6	1-36	25-914
RTA108B-22	22	6.71	4	102	0.156	4.0	170	77	24.55	16.12	13.43	8.46	1-36	25-914
RTA108V-22	22	6.71	4	102	0.250	6.4	190	86	30	25.77	21.43	13.4	1-36	25-914
RTA108B-24	24	7.31	4	102	0.156	4.0	177	80	20.84	13.52	11.18	6.94	1-36	25-914
RTA108V-24	24	7.31	4	102	0.250	6.4	199	90	30	22.52	18.62	11.53	1-36	25-914
RTA108B-26	26	7.92	4	102	0.156	4.0	183	83	17.76	11.33	9.3	5.65	1-36	25-914
RTA108V-26	26	7.92	4	102	0.250	6.4	208	95	30	19.73	16.24	9.91	1-36	25-914
RTA108B-28	28	8.53	4	102	0.156	4.0	189	86	15.2	9.48	7.7	4.52	1-36	25-914
RTA108V-28	28	8.53	4	102	0.250	6.4	217	99	26.41	17.21	14.17	8.48	1-36	25-914



Base details



Comes with 4 anchor bolts,
8 nuts and 8 washers.
B.C. from: 11" to 13" (279 to 330 mm)

Specifications:

Pole: made from a 16 flute, mandrel-formed steel shaft welded to a 8 5/8" round (219 mm) steel pole base which is then welded to both the top and bottom of a steel anchor plate. A 4 1/2" by 10" (114 by 254 mm) maintenance opening is complete with cover and copper ground lug.

Base cover: decorative base cover made from two cast-aluminum pieces fastened together with stainless steel hardware around the base of the pole. Base cover is complete with a door to access the maintenance opening.

Finish: See page 142 for Finish details.

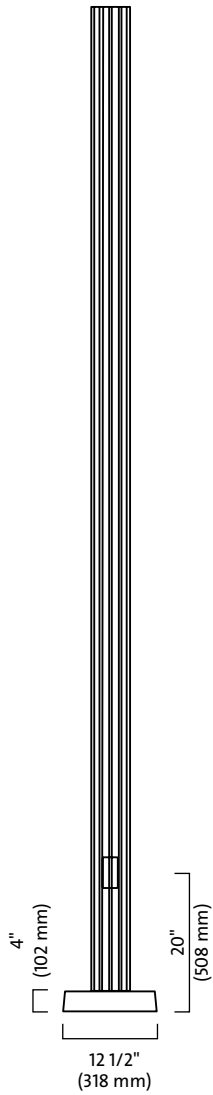
Options:

- LS:** Provision for loudspeaker outlet (see page 132)
- PH7:** Button-type photoelectric cell (specify operating voltage)
- PH8:** Quarter-turn type photoelectric cell (specify operating voltage)
- DR:** Duplex receptacle (120V line voltage. only)
- GFI:** DR with common ground fault interrupter (120V line voltage only)
- BA:** Banner arm (see page 136)
- PS:** Plant support (see page 137)
- MPL:** Mid-pole luminaire

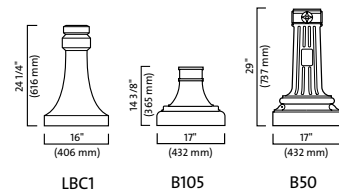
Note: The recommended method for calculating EPA (Effective Projected Area) is in accordance with AASHTO 2001 standards: for three seconds, the pole is tested in wind gusts equivalent to the strongest winds on record over the past 50 years, and with a 50 pound load (22.7 kg) placed at 1 foot (305 mm) above its center.

CATALOG NUMBER	NOMINAL HEIGHT		TENON SECTION		WALL THICKNESS		WEIGHT	EPA RATING				ANCHOR BOLTS		
	ft	m	in	mm	in	mm		lbs	kg	90 MPH	110 MPH	120 MPH	150 MPH	in
R100D-14	14	4.27	4	102	0.120	3.0	255	116	30	30	30	19.32	1-36	25-914
R100D-15	15	4.57	4	102	0.120	3.0	262	119	30	30	28.54	18.29	1-36	25-914
R100D-16	16	4.88	4	102	0.120	3.0	269	122	30	30	27.29	17.48	1-36	25-914
R100D-18	18	5.49	4	102	0.120	3.0	283	128	30	29.14	24.48	15.65	1-36	25-914
R100D-20	20	6.10	4	102	0.120	3.0	297	135	30	26.59	22.29	14.42	1-36	25-914
R100D-22	22	6.71	4	102	0.120	3.0	311	141	30	24.51	20.53	13.17	1-36	25-914
R100D-24	24	7.32	4	102	0.120	3.0	325	147	30	22.81	19.09	12.11	1-36	25-914
R100D-26	26	7.93	4	102	0.120	3.0	339	154	30	21.37	17.86	11.26	1-36	25-914
R100D-27	27	8.22	4	102	0.120	3.0	346	157	30	20.74	17.31	10.88	1-36	25-914

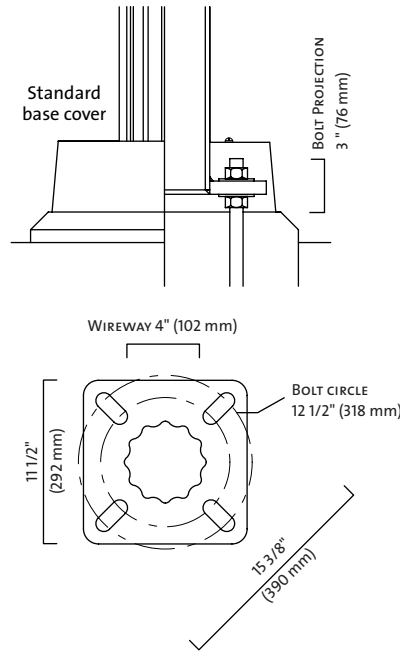
Note: Philips Lumec reserves the right to modify the above details to reflect changes in the cost of materials and/or production and/or design without prior notice.



Optional base covers



Base details



Comes with 4 anchor bolts,
8 nuts and 8 washers.
B.C. from: 9 1/4" to 12 3/4" (235 to 324 mm)

Specifications:

Pole: made from a one-piece, seamless, 12 flute 5" round (127 mm) tube of extruded aluminum welded to to both the top and bottom of a cast-aluminum anchor plate.

A 2" by 4 1/2" (51 by 114 mm) maintenance opening is complete with cover and copper ground lug.

Base cover: square base cover made from two pieces of formed aluminum mechanically fastened to the base with stainless steel hardware.

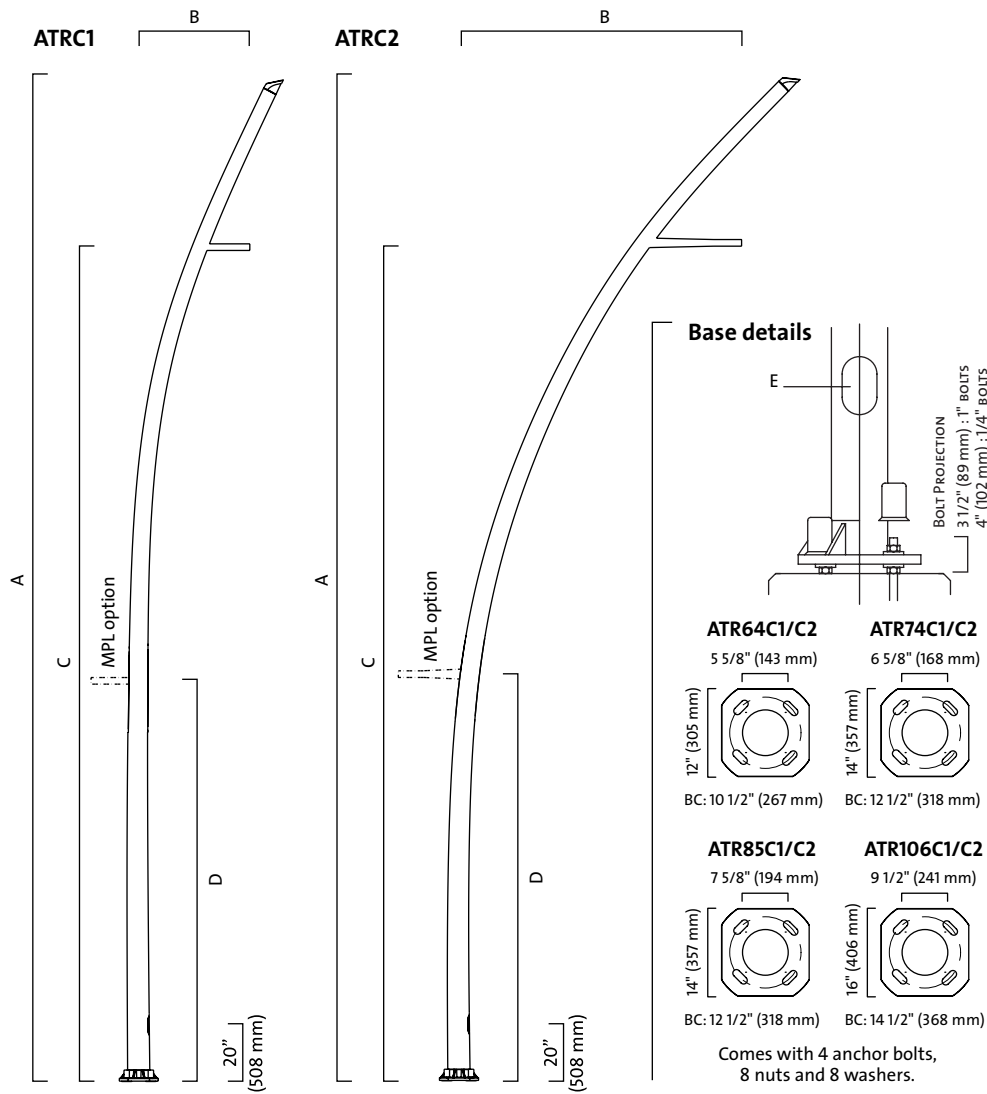
Finish: See page 142 for Finish details.

Options:

- LS:** Provision for loudspeaker outlet (see page 132)
 - PH7:** Button-type photoelectric cell (specify operating voltage)
 - PH8:** Quarter-turn type photoelectric cell (specify operating voltage)
 - DR:** Duplex receptacle (120V line voltage only)
 - GFI:** DR with common ground fault interrupter (120V line voltage only)
 - BA:** Banner arm (see page 136)
 - PS:** Plant support (see page 137)
 - MPL:** Mid-pole luminaire
- Two-piece round decorative base covers:**
- LBC1:** Cast-aluminum
 - B105:** Cast-aluminum
 - B50:** Cast-aluminum

Note: The recommended method for calculating EPA (Effective Projected Area) is in accordance with AASHTO 2001 standards: for three seconds, the pole is tested in wind gusts equivalent to the strongest winds on record over the past 50 years, and with a 50 pound load (22.7 kg) placed at 1 foot (305 mm) above its center.

CATALOG NUMBER	NOMINAL HEIGHT		TENON SECTION		WALL THICKNESS		WEIGHT		EPA RATING				ANCHOR BOLTS	
	ft	m	in	mm	in	mm	lbs	kg	90 MPH	110 MPH	120 MPH	150 MPH	in	mm
P135A-8	8	2.44	5	127	0.208	5.2	35	16	27.56	18.4	15.4	9.61	3/4-20	19-508
P135A-10	10	3.05	5	127	0.208	5.2	43	20	21.78	14.34	11.92	7.25	3/4-20	19-508
P135A-12	12	3.66	5	127	0.208	5.2	51	23	17.56	11.35	9.34	5.49	3/4-20	19-508
P135A-14	14	4.27	5	127	0.208	5.2	58	26	14.32	9.03	7.33	4.09	3/4-20	19-508
P135A-15	15	4.57	5	127	0.208	5.2	62	28	12.93	8.05	6.47	3.5	3/4-20	19-508
P135A-16	16	4.88	5	127	0.208	5.2	66	30	11.76	7.19	5.73	2.95	3/4-20	19-508
P135A-18	18	5.49	5	127	0.208	5.2	73	33	9.36	5.47	4.22	1.92	3/4-27	19-686
P135A-20	20	6.10	5	127	0.208	5.2	81	37	7.4	4.03	2.97	1.02	3/4-27	19-686



Specifications:

Pole ATR64C1-C2: made from tapered 6" to 4" (152 by 102 mm) round aluminum shaft welded top and bottom to a cast-aluminum anchor plate. After tapering and welding, the entire shaft assembly is heat-treated to T6 temper.

Pole ATR74C1-C2: made from tapered 7" to 4" (178 by 102 mm) round aluminum shaft welded top and bottom to a cast-aluminum anchor plate. After tapering and welding, the entire shaft assembly is heat-treated to T6 temper.

Pole ATR85C1-C2: made from tapered 8" to 5" (203 by 127 mm) round aluminum shaft welded top and bottom to a cast-aluminum anchor plate. After tapering and welding, the entire shaft assembly is heat-treated to T6 temper.

Pole ATR106C1-C2: made from tapered 10" to 6" (254 by 152 mm) round aluminum shaft welded top and bottom to a cast-aluminum anchor plate. After tapering and welding, the entire shaft assembly is heat-treated to T6 temper.

A maintenance opening is complete with cover and copper ground lug.

Bolt Cover: Made of spun aluminum, press fit over the nuts of the bolts.

Finish: See page 142 for Finish details.

Options:
MPL: Mid-pole luminaire

Note: The recommended method for calculating EPA (Effective Projected Area) is in accordance with AASHTO 2001 standards: for three seconds, the pole is tested in wind gusts equivalent to the strongest winds on record over the past 50 years, and with a 50 pound load (22.7 kg) placed at 1 foot (305 mm) above its center.

Important: Do not obstruct space between anchor plate and concrete base.

CATALOG NUMBER	NOMINAL HEIGHT (A)		WALL THICKNESS		WEIGHT ¹		POLE REACH (B)		BRACKET HEIGHT		MPL (D) ²		OPENING (E)		ANCHOR BOLTS	
	ft	m	in	mm	lbs	kg	in	mm	ft	m	ft	m	in	mm	in	mm
ATR64C1	16	4.9	0.156	4.0	60	27	21	540	12	3.7			3x5	76x127	1-36	25-914
ATR64C2	16	4.9	0.156	4.0	60	27	37	946	12	3.7			3x5	76x127	1-36	25-914
ATR64C1	18	5.5	0.156	4.0	64	29	21	537	14	4.3			3x5	76x127	1-36	25-914
ATR64C2	18	5.5	0.156	4.0	64	29	44	1118	14	4.3			3x5	76x127	1-36	25-914
ATR74C1	20	6.1	0.188	4.8	89	40	25.5	648	16	4.9			4x7	102x178	1-36	25-914
ATR74C2	20	6.1	0.188	4.8	89	40	51.5	1311	16	4.9			4x7	102x178	1-36	25-914
ATR74C1	22	6.7	0.188	4.8	97	44	28	718	18	5.5	12	3.7	4x7	102x178	1-36	25-914
ATR74C2	22	6.7	0.188	4.8	97	44	61	1549	18	5.5	12	3.7	4x7	102x178	1-36	25-914
ATR74C1	24	7.3	0.188	4.8	105	48	28	718	19	5.8	12	3.7	4x7	102x178	1-36	25-914
ATR74C2	24	7.3	0.188	4.8	105	48	82.5	2099	19	5.8	12	3.7	4x7	102x178	1-36	25-914
ATR74C1	26	7.9	0.188	4.8	113	51	31.5	797	21	6.4	12-14	3.7-4.3	4x7	102x178	1-36	25-914
ATR74C2	26	7.9	0.188	4.8	113	51	94	2388	21	6.4	12-14	3.7-4.3	4x7	102x178	1-36	25-914
ATR85C1	28	8.5	0.250	6.4	170	77	35	892	23	7.0	12-16	3.7-4.9	4x8	102x203	1-36	25-914
ATR85C2	28	8.5	0.250	6.4	170	77	94	2388	23	7.0	12-16	3.7-4.9	4x8	102x203	1-36	25-914
ATR85C1	30	9.1	0.250	6.4	202	92	39	997	25	7.6	12-18	3.7-5.5	4x8	102x203	1-36	25-914
ATR85C2	30	9.1	0.250	6.4	202	92	102	2591	25	7.6	12-18	3.7-5.5	4x8	102x203	1-36	25-914
ATR106C1	32	9.8	0.188	4.8	196	89	44	1115	27	8.2	12-18	3.7-5.5	4x8	102x203	11/4-48	32-1219
ATR106C2	32	9.8	0.188	4.8	196	89	99	2515	27	8.2	12-18	3.7-5.5	4x8	102x203	11/4-48	32-1219
ATR106C1	34	10.4	0.188	4.8	206	94	49	1245	29	8.8	12-18	3.7-5.5	4x8	102x203	11/4-48	32-1219
ATR106C2	34	10.4	0.188	4.8	206	94	99	2515	29	8.8	12-18	3.7-5.5	4x8	102x203	11/4-48	32-1219

¹: with MPL option add 2 lbs

²: one foot increments

> for EPA rating consult Lumec



www.lumec.com

LUMEC HEAD OFFICE

640, Curé-Boivin Boulevard
Boisbriand, Québec
Canada J7G 2A7

T : 450.430.7040

F : 450.430.1453

ONTARIO OFFICE

189 Bullock Drive
Markham, Ontario
Canada L3P 1W4

T : 416.223.7255

F : 866.971.2825

MEXICO OFFICE

Zempoala #217
Col. Antenor Salas (Narvarte)
Mexico, D.F. 03010

T : (5255) 5564.5242

F : 450.971.2816

For the details of our different agents and representatives, please consult the **Contact us** section of our Website.

© 2010 Philips Group.

All rights reserved. We reserve the right to change details of design, materials and finishes.



/ Some luminaires use fluorescent or high intensity discharge (HID) lamps that contain small amounts of mercury. Such lamps are labeled "Contains Mercury" and/or with the symbol "Hg." Lamps that contain mercury must be disposed of in accordance with local requirements. Information regarding lamp recycling and disposal can be found at www.lamprecycle.org



The choice to not print paper brochures anymore but to make them available on-line is an example of the positive environmental actions that Philips Lumec has decided to undertake. This not only considerably reduces our paper consumption but also guarantees the exactitude of the information our clients receive.